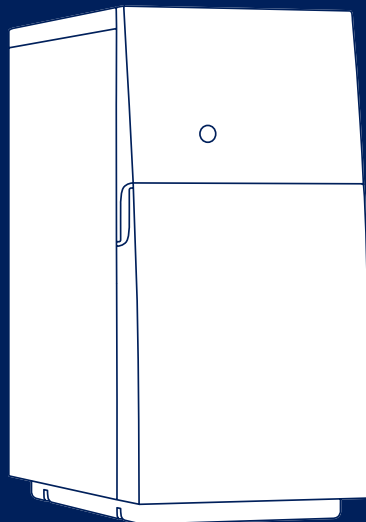


OWNER'S MANUAL



BLUEWATER PRO  
WATER PURIFIER



EN

FR

ES

PT

IT

DE

PL

RU

SE

FI

NO

DA

ZH





ID

# Contents

OWNER'S MANUAL - EN .....	03
MANUEL DU PROPRIÉTAIRE - FR .....	14
MANUAL DE USO - ES .....	25
MANUAL DO PROPRIETÁRIO - PT .....	36
MANUALE DEL PROPRIETARIO - IT .....	47
BEDIENUNGSANLEITUNG - DE .....	58
INSTRUKCJA OBSŁUGI - PL .....	69
РУКОВОДСТВО ВЛАДЕЛЬЦА - RU .....	80
HANDBOK - SE .....	91
OMISTAJAN KÄSIKIRJA - FI .....	102
BRUKERHÅNDBOK - NO .....	113
BETJENINGSVEJLEDNING - DA .....	124
用户手册 - ZH .....	135
PANDUAN PEMILIK - ID .....	146
사용자 설명서 - KO .....	157

## About this manual


This manual gives you the necessary instructions to operate and do minor troubleshooting on the device. For more information scan the QR codes.

	Bluewater Youtube channel Installation and maintenance videos		Bluewater Youku channel (China) Installation and maintenance videos
	<a href="http://www.bluewatergroup.com">www.bluewatergroup.com</a> Complete User manual		Bluewater China Complete User manual

## Original language

The original language of this instruction is English, all other languages are translations of the original instruction.

## Regulatory information



Description	
	The CE marking and the related EC Declaration of Conformity is valid for the device when it is used in the same condition as it was delivered from the manufacturer.

## Limited warranty

Refer to [www.bluewatergroup.com](http://www.bluewatergroup.com) for more information on Limited warranty.

## Symbols

The following symbols can be found on the water purifier:

Symbol	Description	Symbol	Description
	The WQA Gold Seal is proof that the water purifier has been independently tested and is certified against NSF/ANSI 58 and CSA Standard B483.1. It has also been tested and certified against NSF/ANSI 372.		The ETL Listed Mark is proof that the device has been independently tested and meets the applicable published standard.

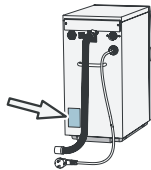
# Contents

SAFETY .....	04
Safety instructions.....	04
Safety information.....	04
PRODUCT OVERVIEW.....	05
Models .....	05
Pro outside .....	05
Pro inside and replacement components .....	06
SYSTEM OVERVIEW .....	07
System description.....	07
Water production.....	08
Installation .....	09
Leak protection system .....	09
Low pressure protection .....	09
MAINTENANCE.....	10
Daily maintenance.....	10
Regular maintenance.....	10
TECHNICAL INFORMATION .....	11
TROUBLESHOOTING.....	12
How to solve simple problems.....	12
Product performance.....	13

## Customer service

See "Troubleshooting" to solve minor problems before calling service. If you need external service support, it can cost money. Make sure to have the following data (found on the data plate) available when calling Bluewater:

- Model
- Product number
- Serial number



## Environment information



80% of the the water purifier components and its packaging have a label to help you recycle and discard it correctly. The water purifier is more efficient when it cleans water for longer periods. Example: do not fill a glass with water. Fill a jug instead.



Appliances bearing this symbol must be deposited at the designated local reception point for the disposal of electrical and electronic equipment.

This product may not be disposed by using the normal household refuse collection processes.

# SAFETY

## Safety instructions

Before you install or operate the device, you must read the safety information. Obey the instructions in this manual to prevent injuries or damage to the equipment. This manual contains CAUTIONS and NOTICES that are applicable for the safe operation of the device.



A CAUTION identifies conditions that can cause injury, or damage to the equipment. Obey the instructions and do not continue until all conditions are accepted and engaged.



A Note identifies important information for a trouble free and optimal use of the water purifier.

## Safety information



Only use the cleaned water when the lights “Purification level II and/or III” on the control panel are on.



This appliance can be used by children who are more than 8 years old. It can also be used by persons with reduced physical, sensory or mental capabilities or lack of experience and knowledge, if they have been given supervision or instruction about the use of the appliance in a safe way and understand the hazards involved.



Do not repair or modify parts of the water purifier. This can make it operate incorrectly, and lead to injury and damage not covered by warranty.



Pro is a reverse osmosis system. It contains a replaceable membrane that is very important for effective reduction of total dissolved solids (TDS). Replace this membrane regularly.



Only approved Bluewater staff can do servicing and repairs on the water purifier. Only use original replacement cartridges and parts from Bluewater. For the spare parts catalogue and contact information for purchases, see [www.bluewatergroup.com](http://www.bluewatergroup.com).



The water to be cleaned must obey the requirements in “Technical information”. Test the water when the water purifier has been installed, and then one time every year. If the water is not clean, tastes, or smells bad, do not drink it.



Installation must comply with applicable local plumbing codes and regulations.



Connect the water purifier to an earthed electrical supply. Use a plug that is easy to access after installation. Only an approved electrician must do permanent wiring on the system. A safety switch must be installed on the system. Incorrect installation can lead to damage, or make the water purifier dangerous to use.



Do not use the power cord if there are visible signs of damage on it. If the power cord is damaged, a qualified electrician must replace it in order to prevent danger.



Do not use Pro without a filter. To do so can cause damage. When Pro is cleaned or put in storage, the filter can be removed.



If the water purifier is disconnected from water and electricity for >5 days, store it as described in Complete User manual “Storage”.

# PRODUCT OVERVIEW

## Models

Model	Capable of handling higher TDS, including brackish inlet water	Suitable for commercial use without an automatic shutoff	Clean water rinse valve suitable for environments where extra high water quality is required
Pro 400B-HR	✓		
Pro 400C-HF		✓	
Pro 400C-HR		✓	
Pro 400BC-HR	✓	✓	
Pro 400CV-HR		✓	✓
Pro 400BCV-HR	✓	✓	✓
Pro 600C-HF		✓	
Pro 600CV-HR		✓	✓

## Pro outside

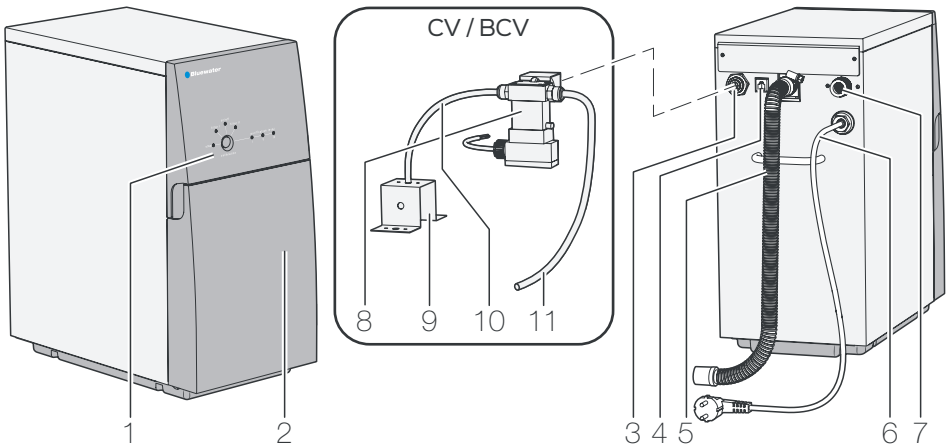


Figure 1. Pro outside

Pos	Description	Pos	Description
1	Control panel	7	Feed water connection with grid filter
2	Front cover	8	Clean water rinse valve (CV-models)
3	Clean water connection	9	Air gap bracket
4	Electrical connection for faucet (optional)	10	Rinse water tube
5	Drain water hose	11	Pure water tube
6	Power cord		

## Control panel



For information about combinations of lights that flashes/are on, see "Troubleshooting".

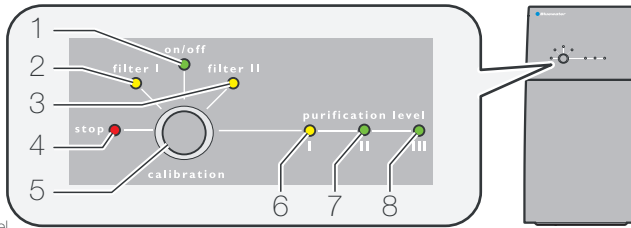


Figure 2. Control panel

Pos	Light/button	Description
1	on/off	On: The water purifier is connected to power Off: The water purifier is not connected to power
2	filter I	On: The filter must be replaced. Pro 600: Replace both Combi filters.
3	filter II	On: The filter must be replaced. Pro 600: Replace both Combi filters.
4	stop	Flashes/On: Something is wrong, see "Troubleshooting".
5	calibration	calibration button, various functions see Complete User manual.
6	purification level I	On: Purification level I-III indicates clean water purification level. Low level I to high level III
7	purification level II	
8	purification level III	

## Pro inside and replacement components

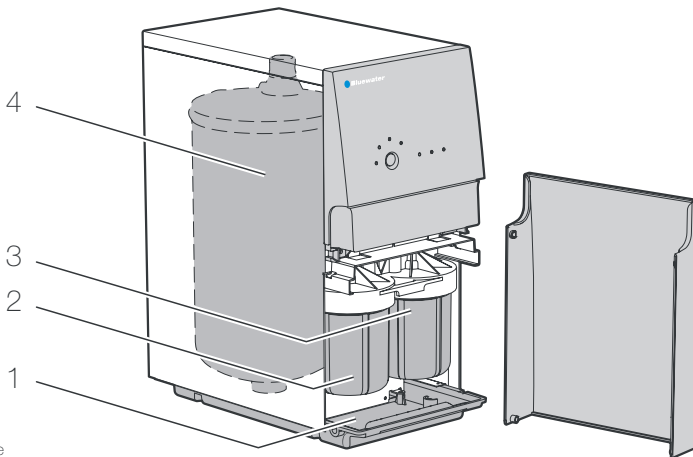


Figure 3. Pro inside

Pos	Description	Art. no	Pos	Description	Art. no
1	Base plate		3	Prefilter II, Pro 600: Combi Carbon block	919240005
				Prefilter II, Pro 400: Carbon filter, granulated	919240003
2	Prefilter I, Pro 600: Combi Carbon block	919240005	4	Reverse osmosis membrane	
	Prefilter I, Pro 400: Sediment filter	919240002		Membrane service kit, type HR (High Rejection)	150718900-SP
				Membrane service kit, type HF (High Flow)	150718901-SP

# SYSTEM OVERVIEW

## System description

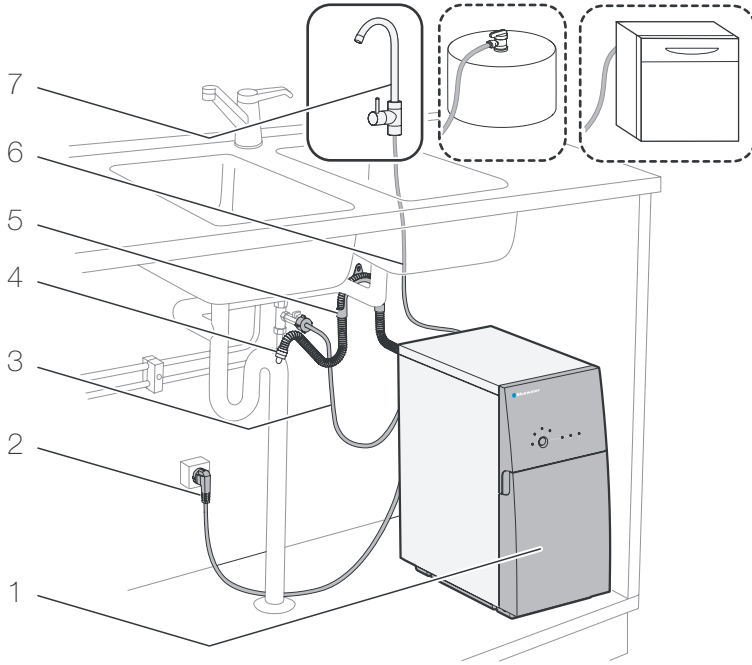


Figure 4. System overview, an example of Pro installation

Pos	Description	Pos	Description
1	Water purifier	5	Bracket for drain water hose
2	Power cord	6	Clean water hose
3	Feed water hose	7	Clean water faucet (optional Pro 400 series)
4	Drain water hose, installed with an air-gap		

# Water production



Only use the cleaned water when the lights “Purification level II and III” on the control panel are on. It can take up to 60 seconds before the water purifier indicates good water quality.



For models suitable for commercial use the faucet could be replaced by for example a valve or a tank.

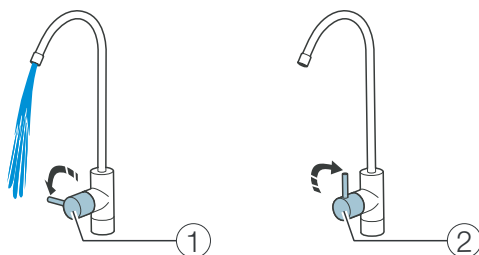


Figure 5. Water production on/off

## Automatic flush



The length of the flush process varies between 5-120 seconds, depending on how long the previous drawing of water lasted.

An automatic flush will be performed if one of the conditions below are fulfilled:

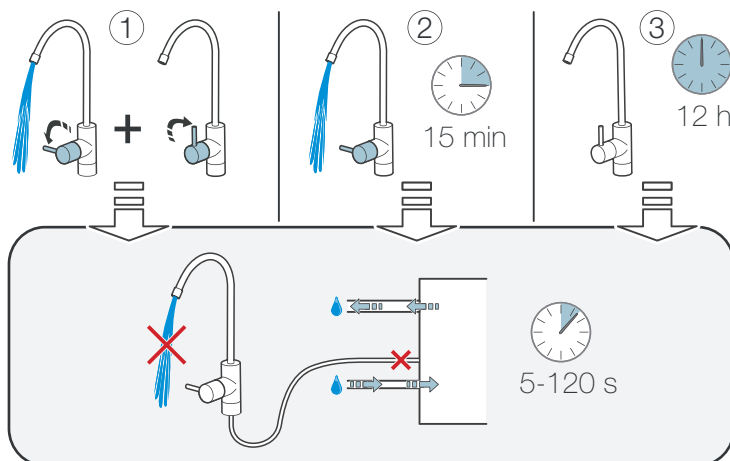


Figure 6. Automatic flush

Pos	Description
1	Flush after drawing water. Every time after drawing water.
2	Flush when drawing water. After maximum operation time 15 minutes. (Pro 400B must be manually restarted)
3	Water purifier in standby mode. Pro is connected to water and power. Flush is performed every 12 hours, regardless of when clean water was last produced.



## Installation



Pro must not supply water to all the faucets in the house. This can cause corrosion in the water pipes and water heaters.  
If Pro was not correctly installed, warranty will not cover it.



Installation must comply with applicable local plumbing codes and regulations.



Only connect the water purifier to the cold water supply. The water must be of sufficient quality and fulfill the requirements on feed water.



We recommend that the water purifier is installed by a professional, who is recommended by an authorized Bluewater dealer.

Installation instructions can be found in the Complete User manual and on [www.bluewatergroup.com](http://www.bluewatergroup.com).

## Leak protection system

A sensor at the bottom of the water purifier senses water leaks. If there is a leak, the feed water supply is stopped. The water purifier cannot be started again until the leak has been repaired.

## Low pressure protection



If Pro stops because of low pressure, the cause of the low pressure must be removed. If not, the pump can be permanently damaged.



When Pro has stopped because of a low pressure problem (feed water), water production can be started manually by pushing the calibration button.

## Low pressure restart function



Only included in models suitable for commercial use.

The low pressure restart is a function to ensure maximum availability of water.

Pro starts automatically when it has stopped because of low pressure. It tries to start three times: after 3 minutes, after 20 minutes and after 4 hours. If the water pressure is not sufficiently high after three tries, Pro will stop.

# MAINTENANCE

## Daily maintenance

### Check indicator lights

Step	Action
1	Make sure that the lights on the control panel are not on or flashes.

### Clean the water purifier



Do not use chemicals to clean the surface. Alcohol, petrol, organic and inorganic acids, strong basic chemicals (such as concentrated dish washing detergent) will cause damage to the surface.



Do not use hard or sharp tools to clean the water purifier.

Step	Action
1	Clean the outer surface with a soft moist cloth and a weak soap solution to remove dust, stains and dirt.
2	Dry with a soft dry cloth.

## Regular maintenance



Regular maintenance is important for correct function and long term operation. Only educated and approved personnel can do the maintenance.



For instructions on how to do maintenance, see Complete User manual on [www.bluewatergroup.com](http://www.bluewatergroup.com)

Frequency	Description
1 month	Check connections
	Wipe off condensation from base plate.
4-6 months*	Replace filters. Replace the filters after what comes first of 4-6 months or 37 850 l (10 000 gal) of purified water.
6 months*	Descale
1 year	Test the water every year. If the water is not clean, do not drink it. Contact a Bluewater dealer.
4-6 years*	Replace reverse osmosis membrane (contact your Bluewater dealer)

\*Frequency depending on water quality and usage

# TECHNICAL INFORMATION

EN

		Size WxHxD	Weight	Power	Power supply earthed	Purified water flow rate	Sound level
Pro 400B-HR	230V	225x466x460 mm	29 kg	530 W	230V, 50-60 Hz	6 908 litre/day (1825 gallon/day)	< 60 dB(A)
	120V	8.9x18.3x18.1 "	64 lbs	6 Amp	120V, 60 Hz		
Pro 400C-HF	230V	225x466x460 mm	29 kg	530 W	230V, 50-60 Hz	6 908 litre/day (1825 gallon/day)	< 60 dB(A)
	120V	8.9x18.3x18.1 "	64 lbs	6 Amp	120V, 60 Hz		
Pro 400C-HR	230V	225x466x460 mm	29 kg	530 W	230V, 50-60 Hz	6 908 litre/day (1825 gallon/day)	< 60 dB(A)
	120V	8.9x18.3x18.1 "	64 lbs	6 Amp	120V, 60 Hz		
Pro 400BC-HR	230V	225x466x460 mm	29 kg	530 W	230V, 50-60 Hz	6 908 litre/day (1825 gallon/day)	< 60 dB(A)
	120V	8.9x18.3x18.1 "	64 lbs	6 Amp	120V, 60 Hz		
Pro 400CV-HR	230V	225x466x470 mm	29 kg	530 W	230V, 50-60 Hz	6 908 litre/day (1825 gallon/day)	< 60 dB(A)
	120V	8.9x18.3x18.5 "	64 lbs	6 Amp	120V, 60 Hz		
Pro 400BCV-HR	230V	225x466x470 mm	29 kg	530 W	230V, 50-60 Hz	6 908 litre/day (1825 gallon/day)	< 60 dB(A)
	120V	8.9x18.3x18.5 "	64 lbs	6 Amp	120V, 60 Hz		
Pro 600C-HF	230V	225x466x460 mm	29 kg	720 W	230V 50-60 Hz	6 908 litre/day (1825 gallon/day)	< 60 dB(A)
Pro 600CV-HR	230V	225x466x470 mm	29 kg	720 W	230V 50-60 Hz	6 908 litre/day (1825 gallon/day)	< 60 dB(A)

## Requirements on feed water to water purifier

		Temperature	Feed water flowing pressure	Water flow	TDS (Total Dissolved Solids) [ppm]	Conductivity [µS/cm, 25 °C (77 °F)]	Hardness	Iron Fe <sup>2+</sup> /Fe <sup>+3</sup> [mg/l]	Turbidity [FNU]
Pro 400B-HR	230V	2-30 °C	2-10 bar	> 10 l/min	< 7500	< 13 000	< 20 °dH	< 1.5/< 0.3	< 0.5
Pro 400BC-HR	120V	36-86 °F	29-145 psi	> 2.6 gal/min			< 20.9 grains/gal		
Pro 400BCV-HR		230V	2-35 °C	2-10 bar	> 10 l/min	< 1500	< 2000	< 20 °dH	< 1.5/< 0.3
Pro 400C-HF	120V	36-95 °F	29-145 psi	> 2.6 gal/min	< 20.9 grains/gal				
Pro 400CV-HR		230V	2-35 °C	2.5-10 bar	> 10 l/min	< 1500	< 2000	< 20 °dH	< 1.0/< 0.3
Pro 600C-HF	230V	2-35 °C	2.5-10 bar	> 10 l/min	< 1500	< 2000	< 20 °dH	< 1.0/< 0.3	< 0.5
Pro 600CV-HR									



Do not use with water that is microbiologically unsafe or of unknown quality without sufficient disinfection before or after the system.



Only connect to the cold water supply. The temperature limits are in the table "Requirements on feed water to water purifier" on page 11.



For more detailed information see [www.bluewatergroup.com](http://www.bluewatergroup.com)

For more information about certifications, see "Product performance" on page 13.

# TROUBLESHOOTING

## How to solve simple problems





If Pro stops because of an emergency, disconnect it from power and connect it again, or press calibration button to reset the emergency stop.



For more severe problems, see Complete User manual on [www.bluewatergroup.com](http://www.bluewatergroup.com)

Symptom	Cause	Solution
	Filter I must be replaced. Pro 600: Replace both filters.	See Complete User manual
	The grid filter is blocked.	See Complete User manual
	The feed water pressure is too low.	Make sure that the feed water pressure is sufficient. If necessary, increase the pressure.
	Filter II must be replaced. Pro 600: Replace both filters.	See Complete User manual
	The feed water pressure is too low. The water purifier has stopped. It waits and must be started again.	The water purifier will try to start automatically. Make sure that the feed water pressure is sufficient. If necessary, replace the filters. See Complete User manual.
		Push the calibration button to start the water purifier. Release the button when the filter I light and the stop light go out.
	filter I or filter II are blocked.	Make sure that nothing in the filter makes the water not flow. If necessary, replace filters. See Complete User manual.
	The grid is blocked.	See Complete User manual
	There is a water leakage or condensation on the base plate.	Make sure that all connections are water tight. Tilt the water purifier forward, and dry the base plate with a cloth.
	The feed water pressure is too low.	Install a pump with increased pressure for the feed water.  Do a check of the parts that have an effect on the feed water pressure (the water line, the coarse filter, the extra pre-filter).
	The water purifier has stopped. The clean water quality has become too low.	New water purifier: calibrate it, see Complete User manual.
		Used water purifier: Disconnect it from power. Connect it again to start the automatic flush. Do this 2 or 3 times.
	Calibration not carried out correctly	See Complete User manual

Symptom	Cause	Solution
	Water quality meter does not work correctly.	Disconnect the water purifier from power. Connect it again to start the automatic flush. Do not use the water purifier for 2 hours.
	The tap has been on for more than 15 minutes. The water purifier has stopped. (Pro 400B)	Turn off the tap and wait at least 30 minutes. Disconnect the water purifier from power. Connect it again to start the automatic flush.
The flow rate from the clean water faucet is low.	The clean water hose is tensioned or jammed.	Make sure that the clean water hose can move freely.
	The water purifier needs to be descaled.	See Complete User manual.
The water purifier starts and stops again (short starts).	The water pressure between the water purifier and the faucet/valve/tank is below the starting pressure level.	Examine the connections.
		Make sure that the ends of the water hose are circular and have no burrs. Make sure that the faucets and the valves are water tight when they are closed.
There is a bad smell from the water purifier.	Microbial growth in the water because the water purifier has not been used for a week or longer.	See Complete User manual.

## Product performance



The WQA Gold Seal proves that the Bluewater water purifier has been independently tested and certified against NSF/ANSI 58 and CSA Standard B483.1. WQA certifies product performance, and reviews the manufacturing facility and procedures to assure product consistency and integrity.

The Bluewater Pro water purifier has been tested according to NSF/ANSI 58 for reduction of the substances listed below:

- TDS
- Chromium(+3)
- Lead
- Arsenic(+5) (also known as pentavalent arsenic, As(+5), As(V) or arsenate).

The concentration of the indicated substances in water entering the system was reduced to a concentration less than or equal to the permissible limit for the water leaving the system, as specified in NSF/ANSI 58.

See performance data sheet on [www.bluewatergroup.com](http://www.bluewatergroup.com) for more details.

In the arsenic fact sheet, also found on [www.bluewatergroup.com](http://www.bluewatergroup.com), you will find information about the conditions that is related to reduction efficiency of arsenic(+5), and why other forms of arsenic may not be removed to the same extent.

# Table des matières

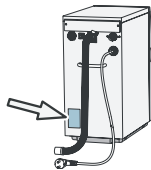
SÉCURITÉ.....	15
Consignes de sécurité.....	15
Instructions de sécurité.....	15
PRÉSENTATION GÉNÉRALE DE L'ÉQUIPEMENT .....	16
Modèles .....	16
Extérieur de l'osmoseur Pro .....	16
Intérieur du dispositif Pro et composants de remplacement.....	17
PRÉSENTATION GÉNÉRALE DU SYSTÈME.....	18
Description .....	18
Production d'eau.....	19
Installation.....	20
Système anti-fuites.....	20
Système anti-basse pression.....	20
ENTRETIEN .....	21
Entretien quotidien.....	21
Entretien régulier.....	21
CARACTÉRISTIQUES TECHNIQUES.....	22
DÉPANNAGE .....	23
Résolution de problèmes simples.....	23
Performances du produit .....	24

## Service d'assistance technique

Consulter la section « Résolution de problèmes simples » pour tenter de résoudre un problème avant de contacter le service d'assistance. Si l'aide de techniciens externes est nécessaire, celle-ci peut être payante.

Lors de tout contact avec Bluewater, se munir des informations suivantes (celles-ci figurent sur la plaque signalétique) :

- Modèle
- la référence produit
- le numéro de série



## Données environnementales



80 % des composants de cet osmoseur, de même que son emballage, sont dotés d'une étiquette précisant leur mode de recyclage ou de mise au rebut. L'efficacité du dispositif est optimale lorsqu'il fonctionne sur de longues durées. Exemple : ne remplissez pas un verre d'eau. Remplissez plutôt un pichet.



Les appareils portant ce symbole doivent être déposés au point de réception local pour la mise au rebut des équipements électriques et électroniques usagés.  
Ce produit ne doit pas être éliminé avec les déchets ménagers ordinaires.

# SÉCURITÉ

## Consignes de sécurité

Avant d'installer et d'utiliser le dispositif, prendre connaissance des consignes de sécurité. Ces consignes doivent être scrupuleusement suivies afin de prévenir des blessures physiques ou la détérioration de l'équipement. Ce manuel inclut des MISES EN GARDE et des REMARQUES destinées à garantir l'utilisation sécurisée du dispositif.

FR



Une MISE EN GARDE signale une situation susceptible d'entraîner des blessures physiques ou une dégradation matérielle. Suivre les instructions et cesser toute utilisation de l'équipement tant que la situation n'est pas redevenue normale.



Une REMARQUE fait état d'informations importantes pour une utilisation optimale et en toute tranquillité de l'osmoseur.

## Instructions de sécurité



Utiliser uniquement de l'eau nettoyée lorsque les voyants « Purification de niveau II et/ou III » s'affichent sur le panneau de commande.



Cet appareil peut être utilisé par les enfants de plus de 8 ans. Il peut également être manipulé par des personnes aux capacités physiques, sensorielles ou mentales réduites ou par des personnes manquant d'expérience ou de connaissances, dans la mesure où elles sont sous surveillance, ont reçu les instructions d'utilisation de l'appareil adéquates et comprennent les risques associés.



Ne pas réparer ou modifier les composants de l'osmoseur. Il pourrait en résulter un dysfonctionnement du dispositif susceptible de provoquer des blessures ou des détériorations non couvertes par la garantie.



Pro est un système d'osmose inverse. Il contient une membrane remplaçable très importante pour réduire efficacement les matières dissoutes totales. Remplacez-la régulièrement.



Seuls les techniciens Bluewater agréés sont habilités à entretenir et réparer cet osmoseur d'eau. Il est indispensable d'utiliser les cartouches et composants de rechange originaux de Bluewater. Pour consulter le catalogue des pièces détachées et les coordonnées pour les achats, rendez-vous sur le site [www.bluewatergroup.com](http://www.bluewatergroup.com).



L'eau à épurer doit répondre aux critères stipulés dans la section « Caractéristiques techniques ». Testez l'eau après que l'osmoseur a été installé, puis effectuez des tests une fois par an. Si celle-ci n'est pas propre, a mauvais goût ou est malodorante, ne pas la boire.



L'installation doit être conforme aux normes et réglementations de plomberie locales applicables.



Brancher l'osmoseur sur une alimentation électrique mise à la terre. La prise doit être aisément accessible après l'installation. Seul un électricien agréé doit être autorisé à effectuer les raccordements permanents. Le système doit comporter un interrupteur de sécurité. Une installation incorrecte peut entraîner des dommages ou mettre en danger l'utilisateur de l'osmoseur.



Ne pas utiliser le câble d'alimentation s'il présente des signes visibles de dommages. En cas de dommage, le câble d'alimentation doit être remplacé par un électricien qualifié afin de prévenir tout danger.



Ne pas utiliser l'osmoseur Pro sans filtre. Cela pourrait l'endommager. Si l'osmoseur Pro est nettoyé ou rangé, le filtre peut être ôté.



Si l'osmoseur est débranché de l'alimentation en eau et en électricité pendant plus de 5 jours, stockez-le conformément aux instructions de stockage du manuel « Complete User manual ».

# PRÉSENTATION GÉNÉRALE DE L'ÉQUIPEMENT

## Modèles

Modèle	Capable de traiter un TDS (matières dissoutes totales) plus élevé, y compris l'eau d'arrivée saumâtre	Convient pour une utilisation commerciale sans arrêt automatique	Le robinet pour l'eau purifiée convient aux environnements où une qualité d'eau particulièrement élevée est exigée
Pro 400B-HR	✓		
Pro 400C-HF		✓	
Pro 400C-HR		✓	
Pro 400BC-HR	✓	✓	
Pro 400CV-HR		✓	✓
Pro 400BCV-HR	✓	✓	✓
Pro 600C-HF		✓	
Pro 600CV-HR		✓	✓

## Extérieur de l'osmoseur Pro

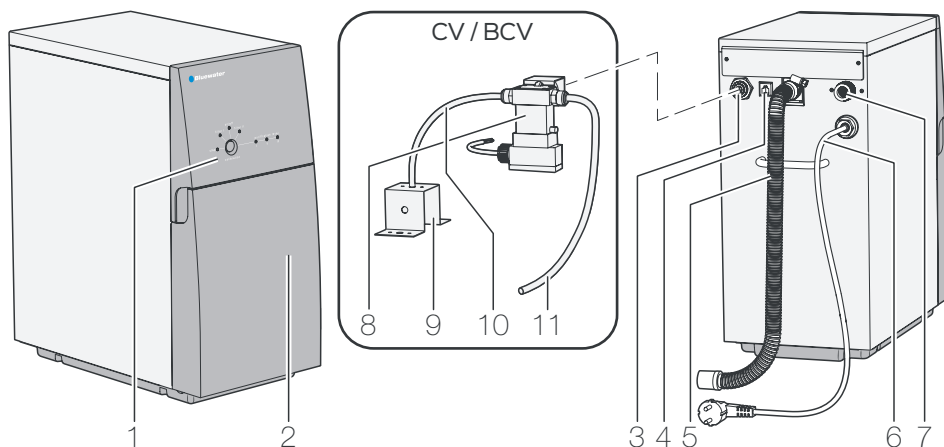


Figure 1. Extérieur de l'osmoseur Pro

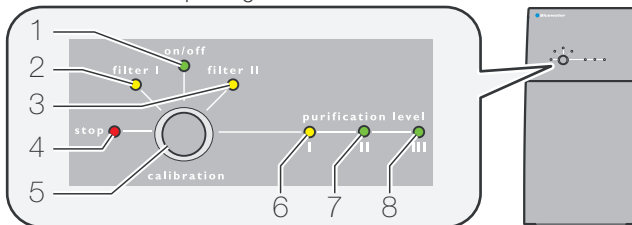
N°	Description	N°	Description
1	Panneau de commande	7	Raccordement pour eau d'alimentation avec filtre grillagé
2	Capot avant	8	Robinet pour l'eau purifiée (Modèles en CV)
3	Raccordement pour eau propre	9	Support de l'entrefer
4	Raccord électrique pour robinet (en option)	10	Tuyau pour l'eau de rinçage
5	Flexible pour eaux usées	11	Tuyau de sortie de l'eau purifiée
6	Câble d'alimentation		



## Panneau de commande



Pour obtenir des informations concernant des combinaisons de voyants qui clignotent/ apparaissent, se reporter à la section « Dépannage ».



FR

Figure 2. Panneau de commande

N°	Voyant/bouton	Description
1	on/off	On (sous tension) : L'osmoseur est branché sur le secteur Off (hors tension) : L'osmoseur n'est pas branché sur le secteur
2	filter I	On (sous tension) : Le filtre doit être remplacé. Pro 600: Remplacez les deux filtres Combi.
3	filter II	On (sous tension) : Le filtre doit être remplacé. Pro 600: Remplacez les deux filtres Combi.
4	stop	Clignote/Sous tension : Détection d'un problème, se reporter à la section « Dépannage ».
5	calibration	Bouton d'étalonnage, différentes fonctions se reporter au manuel « Complete User manual ».
6	purification level I	On (sous tension) : Le niveau de purification I-III indique le niveau de purification de l'eau purifiée. Niveau bas I à niveau élevé III
7	purification level II	
8	purification level III	

## Intérieur du dispositif Pro et composants de remplacement

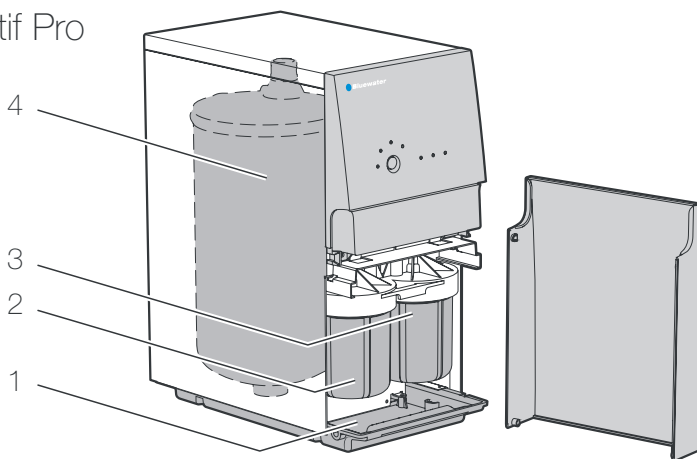


Figure 3. Intérieur de l'osmoseur Pro

N°	Description	Référence	N°	Description	Référence
1	Plateau de base		3	Préfiltre II, Pro 600 : bloc de carbone Combi	919240005
				Préfiltre II, Pro 400 : filtre à charbon, granulé	919240003
2	Préfiltre I, Pro 600 : bloc de carbone Combi	919240005	4	Membrane d'osmose inverse	
	Préfiltre I, Pro 400 : filtre à sédiments	919240002		Kit d'entretien de membrane, type HR (High Rejection, rejets élevés)	150718900-SP
				Kit d'entretien de membrane, type HF (High Flow, haut débit)	150718901-SP

# PRÉSENTATION GÉNÉRALE DU SYSTÈME

## Description

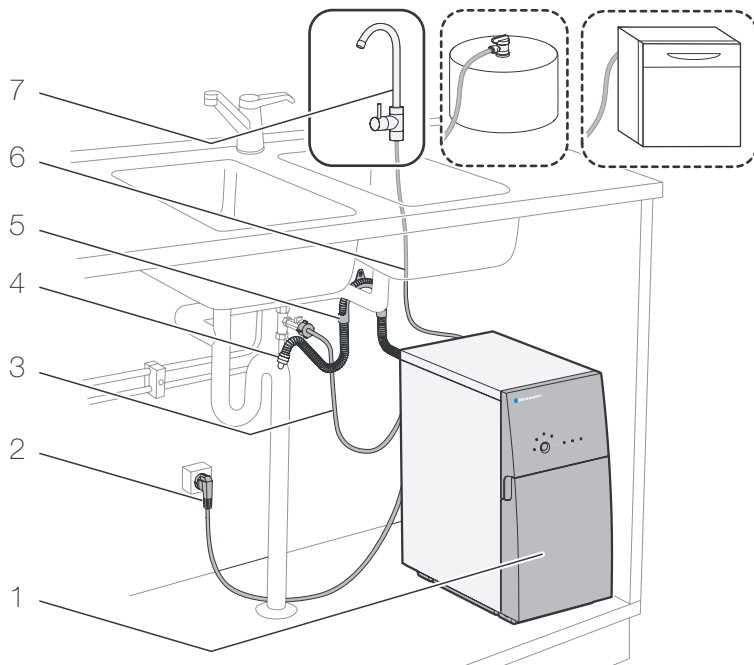


Figure 4. Présentation du système, exemple d'installation Pro

N°	Description	N°	Description
1	Osmoseur	5	Fixation du flexible pour eaux usées
2	Câble d'alimentation	6	Flexible pour eau propre
3	Flexible pour eau d'alimentation	7	Robinet d'eau propre (série Pro 400 en option)
4	Flexible pour eaux usées, installé avec dispositif anti-retour		

# Production d'eau



Utiliser uniquement de l'eau nettoyée lorsque les voyants « Purification de niveau II et III » s'affichent sur le panneau de commande. Compter 60 secondes avant que l'osmoseur indique la bonne qualité de l'eau.

FR



Sur les modèles adaptés à une utilisation commerciale, le robinet peut être remplacé par exemple par une soupape de vidange ou par un réservoir de rinçage.

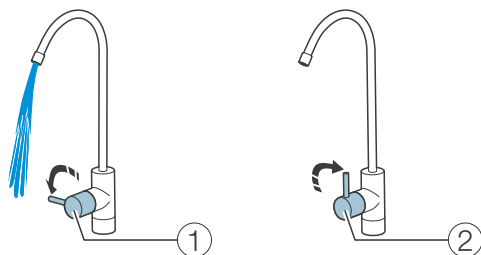


Figure 5. Marche/arrêt de la production d'eau

## Rinçage automatique



La durée du procédé de rinçage peut varier de 5 à 120 secondes, en fonction de la durée du soutirage de l'eau.

Si l'une des conditions suivantes est remplie, un rinçage automatique est effectué :

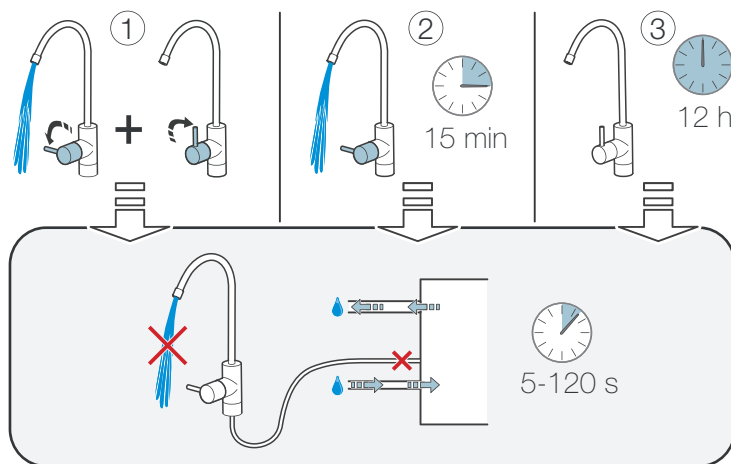


Figure 6. Rinçage automatique

N°	Description
1	Rinçage après soutirage d'eau. Après chaque soutirage d'eau.
2	Rinçage après soutirage d'eau. Après un temps de fonctionnement maximal de 15 minutes. (L'osmoseur Pro 400B doit être redémarré manuellement)
3	L'osmoseur en mode veille. L'osmoseur Pro est raccordé à l'alimentation en eau et il est branché au secteur. Le rinçage est effectué toutes les 12 heures, peu importe la fréquence de production d'eau.

## Installation



L'osmoseur Pro ne doit pas fournir de l'eau à tous les robinets de la résidence. Cela présente un risque de corrosion des tuyaux d'eau et des chauffe-eau. Si l'osmoseur Pro n'a pas été installé correctement, la garantie ne couvrira aucun dommage.



L'installation doit être conforme aux normes et réglementations de plomberie locales applicables.



Raccorder l'osmoseur uniquement à une alimentation en eau froide. L'eau doit être de qualité suffisante et respecter les exigences relatives à l'eau d'alimentation.



Il est conseillé de confier l'installation de l'osmoseur à un professionnel recommandé par un détaillant Bluewater agréé.

La procédure est décrite dans le manuel « Complete User manual » et sur le site [www.bluewatergroup.com](http://www.bluewatergroup.com).

## Système anti-fuites

Un capteur placé à la base de l'osmoseur détecte les fuites d'eau. Si une fuite est constatée, le système d'approvisionnement en eau d'alimentation est arrêté. L'osmoseur ne peut être redémarré qu'une fois la fuite résorbée.

## Système anti-basse pression



Si l'osmoseur Pro s'arrête en raison d'une basse pression, la cause doit être déterminée et éliminée. Dans le cas contraire, la pompe peut être endommagée de façon permanente.



Si l'osmoseur Pro s'est arrêté à cause d'un problème de basse pression (eau d'alimentation), la production d'eau peut être lancée manuellement en appuyant sur le bouton d'étalonnage.

## Système de redémarrage suite à une basse pression



Fonction incluse uniquement sur les modèles qui conviennent à une utilisation commerciale.

Le système de redémarrage en cas de basse pression est une fonction pour garantir la quantité maximum d'eau disponible. L'osmoseur Pro démarre automatiquement lorsqu'il a été interrompu par une basse pression. Il tente de démarrer trois fois : Au bout de 3 minutes, au bout de 20 minutes et au bout de 4 heures. Si la pression de l'eau n'est pas suffisamment élevée au bout de 3 tentatives, l'osmoseur Pro s'arrêtera.

# ENTRETIEN

## Entretien quotidien

FR

### Contrôle des voyants

Étape	Opération
1	Vérifier que les voyants qui figurent sur le panneau de commande n'apparaissent/ne clignotent pas.

### Nettoyage de l'osmoseur



Ne pas appliquer de produits chimiques sur la surface. L'alcool, l'essence, les acides organiques et non organiques ainsi que les produits chimiques de base forts (tels que le liquide vaisselle concentré) l'abîmeraient.



Ne pas nettoyer l'osmoseur à l'aide d'instruments durs ou aiguisés.

Étape	Opération
1	Nettoyer la surface extérieure à l'eau légèrement savonneuse avec un chiffon humide doux afin d'éliminer la poussière, les taches et la saleté.
2	Essuyer à l'aide d'un linge doux et sec.

## Entretien régulier



L'entretien périodique est essentiel pour le fonctionnement correct et durable du dispositif. Il est réservé aux professionnels formés à ces opérations et autorisés.



Pour savoir comment réaliser l'entretien, se reporter au manuel « Complete User manual » disponible sur le site [www.bluewatergroup.com](http://www.bluewatergroup.com).

Fréquence	Description
1 mois	Inspecter les branchements Essuyer la condensation sur le plateau de base.
4-6 mois*	Remplacez les filtres. Remplacez les filtres après 4 à 6 mois ou 37 850 litres (10 000 gallons) d'eau purifiée, selon la première de ces éventualités.
6 mois*	Détartrer
1 an	Tester la qualité de l'eau. Si l'eau n'est pas propre, ne pas la boire. S'adresser à un détaillant Bluewater.
4-6 ans*	Changer la membrane d'osmose inverse (S'adresser à un détaillant Bluewater)

\*La fréquence dépend de la qualité de l'eau et de l'usage qui en est fait.

# CARACTÉRISTIQUES TECHNIQUES

		Dimensions LxPxH	Poids	Puissance de sortie	Alimentation électrique avec mise à la terre	Débit d'eau purifiée	Niveau sonore
Pro 400B-HR	230V	225x466x460 mm	29 kg	530 W	230V, 50-60 Hz	6 908 litres/jour (1825 gallons/jour)	< 60 dB(A)
	120V	8.9x18.3x18.1 *	64 lbs	6 Amp	120V, 60 Hz		
Pro 400C-HF	230V	225x466x460 mm	29 kg	530 W	230V, 50-60 Hz	6 908 litres/jour (1825 gallons/jour)	< 60 dB(A)
	120V	8.9x18.3x18.1 *	64 lbs	6 Amp	120V, 60 Hz		
Pro 400C-HR	230V	225x466x460 mm	29 kg	530 W	230V, 50-60 Hz	6 908 litres/jour (1825 gallons/jour)	< 60 dB(A)
	120V	8.9x18.3x18.1 *	64 lbs	6 Amp	120V, 60 Hz		
Pro 400BC-HR	230V	225x466x460 mm	29 kg	530 W	230V, 50-60 Hz	6 908 litres/jour (1825 gallons/jour)	< 60 dB(A)
	120V	8.9x18.3x18.1 *	64 lbs	6 Amp	120V, 60 Hz		
Pro 400CV-HR	230V	225x466x470 mm	29 kg	530 W	230V, 50-60 Hz	6 908 litres/jour (1825 gallons/jour)	< 60 dB(A)
	120V	8.9x18.3x18.5 *	64 lbs	6 Amp	120V, 60 Hz		
Pro 400BCV-HR	230V	225x466x470 mm	29 kg	530 W	230V, 50-60 Hz	6 908 litres/jour (1825 gallons/jour)	< 60 dB(A)
	120V	8.9x18.3x18.5 *	64 lbs	6 Amp	120V, 60 Hz		
Pro 600C-HF	230V	225x466x460 mm	29 kg	720 W	230V 50-60 Hz	6 908 litres/jour (1825 gallons/jour)	< 60 dB(A)
Pro 600CV-HR	230V	225x466x470 mm	29 kg	720 W	230V 50-60 Hz	6 908 litres/jour (1825 gallons/jour)	< 60 dB(A)

## Critères liés à l'eau alimentant l'osmoseur

		Température	Pression d'écoulement de l'eau d'alimentation.	Débit de l'eau	TDS (Total Dissolved Solids) (ppm)	Conductivité (µS/cm, 25 °C (77 °F))	Dureté	Teneur en Fe <sup>+2</sup> /Fe <sup>+3</sup> (mg/l)	Turbidité (FNU)
Pro 400B-HR	230V	2-30 °C	2-10 bar	> 8 l/min	< 7500	< 13 000	< 20 °dH	< 1.5/< 0.3	< 0.5
Pro 400BC-HR	120V	36-86 °F	29-145 psi	> 2.1 gal/min					
Pro 400BCV-HR	120V	36-86 °F	29-145 psi	> 2.1 gal/min	< 1500	< 2000	< 20.9 grains/gal	< 1.5/< 0.3	< 0.5
Pro 400C-HF	230V	2-35 °C	2-10 bar	> 8 l/min					
Pro 400C-HR	230V	2-35 °C	2-10 bar	> 8 l/min	< 1500	< 2000	< 20.9 grains/gal	< 1.5/< 0.3	< 0.5
Pro 400CV-HR	120V	36-95 °F	22-145 psi	> 2.1 gal/min					
Pro 600C-HF	230V	2-35 °C	2,5-10 bar	> 10 l/min	< 1500	< 2000	< 20 °dH	< 1.0/< 0.3	< 0.5
Pro 600CV-HR	230V	2-35 °C	2,5-10 bar	> 10 l/min	< 1500	< 2000	< 20 °dH	< 1.0/< 0.3	< 0.5



Ne pas utiliser avec une eau insalubre du point de vue microbiologique ou de qualité in-cconnue sans avoir procédé à une désinfection suffisante du système en aval ou en amont.!



Raccorder uniquement à une alimentation en eau froide. Les limites de température sont indiquées dans le tableau « Critères liés à l'eau alimentant l'osmoseur ».



Pour de plus amples informations, consultez le site [www.bluewatergroup.com](http://www.bluewatergroup.com)

Pour plus d'informations concernant les certifications, consultez la section « Performances du produit ».

# DÉPANNAGE

## Résolution de problèmes simples

FR



Si l'osmoseur Pro effectue un arrêt d'urgence, le débrancher du secteur puis le rebrancher, ou appuyer sur le bouton d'étalonnage pour réinitialiser l'arrêt d'urgence.



Pour les problèmes plus complexes, consultez le manuel d'utilisation complet figurant sur le site [www.bluewatergroup.com](http://www.bluewatergroup.com)

Symptôme	Cause	Solution
	Le filtre I doit être remplacé. Pro 600: Remplacez les deux filtres Combi.	Se reporter au manuel « Complete User manual ».
	Le filtre à grille est bloqué.	Se reporter au manuel « Complete User manual ».
	La pression de l'eau d'alimentation est trop faible.	S'assurer que la pression de l'eau d'alimentation est suffisante. Si nécessaire, l'augmenter.
	Le filtre II doit être remplacé. Pro 600: Remplacez les deux filtres Combi.	Se reporter au manuel « Complete User manual ».
	La pression de l'eau d'alimentation est trop faible. L'osmoseur s'est arrêté. Patienter et le redémarrer.	L'osmoseur tentera de démarrer automatiquement. S'assurer que la pression de l'eau d'alimentation est suffisante. Si nécessaire, remplacer les filtres. Se reporter au manuel « Complete User manual ».
		Appuyer sur le bouton d'étalonnage pour démarrer l'osmoseur. Relâcher le bouton lorsque le voyant du filtre I et le voyant d'arrêt s'éteignent.
	Le filtre I ou le filtre II est bloqué.	S'assurer que rien n'obstrue le filtre et n'empêche l'eau de couler. Si nécessaire, remplacez les filtres. Se reporter au manuel « Complete User manual ».
	La grille est bloquée.	Se reporter au manuel « Complete User manual ».
	Il y a une fuite ou de la condensation sur le plateau de base.	S'assurer que tous les raccordements sont étanches. Incliner l'osmoseur vers l'avant et essuyer le plateau de base avec un chiffon.
	La pression de l'eau d'alimentation est trop faible.	Installer une pompe avec une pression plus élevée pour l'eau d'alimentation. Contrôler toutes les parties liées à la pression de l'eau d'alimentation (la conduite d'eau, le filtre grossier, le pré-filtre supplémentaire).
	L'osmoseur s'est arrêté. L'eau propre est maintenant de qualité médiocre.	Nouvel osmoseur : l'étalonner, se reporter au manuel « Complete User manual ».
		Osmoseur usagé : Le débrancher du secteur. Le brancher à nouveau pour lancer le rinçage automatique. Effectuer ces étapes 2 ou 3 fois.
	Étalonnage non conforme	Se reporter au manuel « Complete User manual ».

Symptôme	Cause	Solution
	L'indicateur de la qualité de l'eau ne fonctionne pas correctement.	Débrancher l'osmoseur du secteur. Le brancher à nouveau pour lancer le rinçage automatique. Ne pas utiliser l'osmoseur pendant 2 heures.
	Le robinet fonctionne depuis plus de 15 minutes. L'osmoseur s'est arrêté. (Pro 400B)	Fermer le robinet et patienter au moins 30 minutes. Débrancher l'osmoseur du secteur. Le brancher à nouveau pour lancer le rinçage automatique.
Le débit du robinet d'eau propre est faible.	Le flexible pour eau propre est trop tendu ou coincé. L'osmoseur a besoin d'un détartrage.	S'assurer que le flexible peut bouger sans entrave. Se reporter au manuel « Complete User manual ».
L'osmoseur démarre puis s'arrête à nouveau (arrêts brefs).	La pression de l'eau entre l'osmoseur et le robinet/la soupape/le réservoir est inférieure au niveau de pression d'amorçage.	Vérifier les raccordements. S'assurer que les extrémités des tuyaux d'eau sont circulaires et ne présentent aucune aspérité. S'assurer que les robinets et les soupapes sont étanches une fois fermés.
Une odeur nauséabonde se dégage de l'osmoseur.	Une infection microbienne s'est développée, car l'osmoseur n'a pas été utilisé depuis au moins une semaine.	Se reporter au manuel « Complete User manual ».

## Performances du produit



Le sceau d'or WQA prouve que l'osmoseur Bluewater a été testé et certifié conforme aux normes NSF/ANSI 58 et CSA B483.1 par un organisme indépendant. WQA certifie les performances du produit et contrôle les usines de fabrication et procédures pour garantir l'uniformité et l'intégrité du produit.

L'osmoseur Bluewater Pro a été testé conformément à la norme NSF/ANSI 58 pour la réduction des substances énumérées ci-dessous :

- TDS
- Chrome (+3)
- Plomb
- Arsenic (+5) (également connu sous le nom d'arsenic pentavalent, As (+5), As (V) ou arséniate).

La concentration des substances indiquées dans l'eau qui entre dans le système a été réduite à une concentration inférieure ou égale à la limite autorisée pour l'eau sortant du système, comme indiqué dans la norme NSF/ANSI 58.

Consultez la fiche de performances sur le site [www.bluewatergroup.com](http://www.bluewatergroup.com) pour plus d'informations.

Dans la fiche d'informations de l'arsenic, également disponible sur le site [www.bluewatergroup.com](http://www.bluewatergroup.com), vous trouverez des informations sur les conditions relatives à l'efficacité de la diminution de l'arsenic (+5) et la raison pour laquelle d'autres formes d'arsenic ne peuvent pas être réduites dans la même proportion.



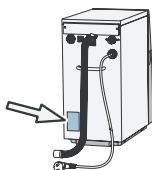
SEGURIDAD .....	26
Instrucciones de seguridad .....	26
Información de seguridad .....	26
VISTA GENERAL DEL PRODUCTO .....	27
Modelos .....	27
Exterior del Pro .....	27
Interior del Pro y componentes de recambio .....	28
VISTA GENERAL DEL SISTEMA .....	29
Descripción del sistema .....	29
Producción de agua .....	30
Instalación .....	31
Sistema de protección antifugas .....	31
Protección contra baja presión .....	31
MANTENIMIENTO .....	32
Mantenimiento diario .....	32
Mantenimiento regular .....	32
INFORMACIÓN TÉCNICA .....	33
RESOLUCIÓN DE PROBLEMAS .....	34
Cómo resolver problemas sencillos .....	34
Rendimiento del producto .....	35

## Atención al cliente

Si tiene alguna incidencia menor, consulte «Resolución de problemas» antes de llamar al servicio de atención al cliente, ya que se puede aplicar una tarifa por la asistencia externa.

Tenga a mano los siguientes datos (que encontrará en la placa de datos) cuando llame a Bluewater:

- Modelo
- Referencia del producto
- Número de serie



## Información medioambiental



El 80 % de los componentes del purificador de agua y su embalaje disponen de una etiqueta que indica el modo correcto de reciclarlos. El purificador de agua trabaja de forma más eficaz después de tratar agua durante un tiempo. Es decir, siempre será mejor llenar una jarra de agua que solo un vaso.



Los electrodomésticos que muestran este símbolo deben depositarse en el punto de recogida local designado para la retirada de material eléctrico y electrónico.  
Este producto no se debe tirar junto con los desechos comunes de casa.

# SEGURIDAD

## Instrucciones de seguridad

Antes de instalar o manejar el dispositivo, es obligatorio leer la información de seguridad. Respete las instrucciones del manual para evitar lesiones personales o daños en el equipo. Este manual contiene notas de ATENCIÓN y AVISO útiles para el manejo seguro del dispositivo.



Las notas de ATENCIÓN identifican situaciones que pueden causar daños en el equipo. Respete las instrucciones y no prosiga hasta que haya comprobado y evitado todas estas situaciones.



Los Avisos identifican información importante para un uso óptimo y sin errores del purificador de agua.

## Información de seguridad



No utilice el agua a menos que los indicadores de «Nivel de purificación II y/o III» del panel de control estén encendidos.



Este dispositivo lo pueden utilizar niños con más de 8 años de edad. También lo pueden utilizar personas con discapacidades físicas, sensoriales o mentales, o con falta de experiencia o de conocimientos, siempre que se les supervise o se les faciliten instrucciones acerca del uso seguro del dispositivo y entiendan los riesgos asociados.



No repare ni modifique las piezas del purificador de agua. Esto podría hacer que funcionase de forma incorrecta y provocar daños que no quedarían cubiertos por la garantía.



El Pro es un sistema de ósmosis inversa. Contiene una membrana intercambiable que es fundamental para la reducción eficaz del total de sólidos disueltos (TDS). Esta membrana se debe cambiar periódicamente.



Únicamente el personal autorizado de Bluewater puede reparar y realizar el mantenimiento del purificador de agua. Solo se pueden utilizar componentes y cartuchos de recambio originales de Bluewater. Si desea consultar el catálogo de recambios o los datos de contacto del departamento comercial, visite [www.bluewatergroup.com](http://www.bluewatergroup.com).



El agua que se va a tratar debe cumplir con los requisitos descritos en el apartado «Información técnica». Compruebe la calidad del agua cuando haya completado la instalación del purificador de agua y, posteriormente, una vez al año. Si el agua no está limpia y sabe o huele mal, no la beba.



La instalación de fontanería debe cumplir con la reglamentación y las normativas locales.



Conecte el purificador de agua a la alimentación eléctrica con toma de tierra. Utilice un enchufe al que se pueda acceder fácilmente tras la instalación. El cableado permanente del sistema debe llevarlo a cabo únicamente un electricista autorizado. El sistema debe contar con un conmutador de seguridad. Una instalación incorrecta puede provocar daños en el purificador de agua o hacer que resulte peligroso utilizarlo.



No utilice el cable de alimentación si detecta algún desperfecto en él. Si el cable ha sufrido algún daño, un electricista autorizado deberá reemplazarlo para evitar que se provoquen situaciones peligrosas.



Utilice Pro con un filtro en todo momento. No hacerlo podría dañar el dispositivo. El filtro se puede retirar durante la limpieza o el almacenamiento de Pro.



Si el purificador de agua va a permanecer desconectado de las tomas de agua y electricidad durante más de cinco días, guárdelo del modo descrito en el apartado «Storage» (Almacenamiento) del Complete User Manual.

# VISTA GENERAL DEL PRODUCTO

## Modelos

Modelo	Capacidad para tratar un mayor nivel de TDS, incluida la entrada de agua salobre	Apto para uso comercial, sin cierre automático	Válvula de lavado de agua purificada apta para lugares donde se requiere una mayor calidad del agua
Pro 400B-HR	✓		
Pro 400C-HF		✓	
Pro 400C-HR		✓	
Pro 400BC-HR	✓	✓	
Pro 400CV-HR		✓	✓
Pro 400BCV-HR	✓	✓	✓
Pro 600C-HF		✓	
Pro 600CV-HR		✓	✓

ES

## Exterior del Pro

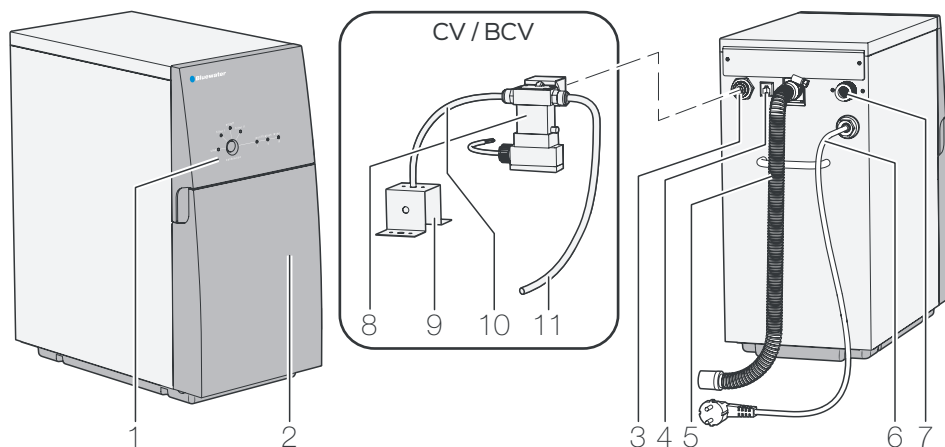


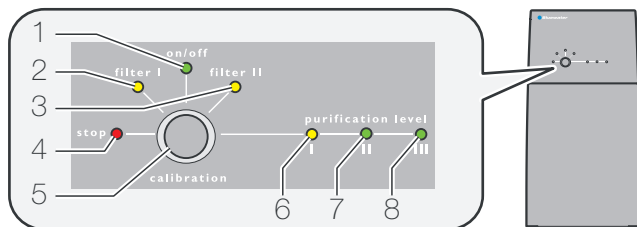
Figure 1. Exterior del Pro

N.º	Descripción	N.º	Descripción
1	Panel de control	7	Entrada de agua con filtro de rejilla
2	Cubierta delantera	8	Válvula de lavado de agua purificada (modelos CV)
3	Conexión de agua limpia	9	Soporte con ventilación
4	Conexión eléctrica para el grifo (opcional)	10	Manguera de agua de lavado
5	Manguera de desagüe del agua	11	Manguera de agua purificada
6	Cable de alimentación		

## Panel de control



Si desea obtener más información acerca de las diferentes combinaciones de indicadores encendidos/parpadeantes, consulte «Resolución de problemas».



### Panel de control

N.º	Indicador/botón	Descripción
1	on/off	ON: El purificador de agua está conectado a la alimentación. OFF: El purificador de agua no está conectado a la alimentación.
2	filter I	ON: Se debe cambiar el filtro. Pro 600: sustituya ambos filtros Combi.
3	filter II	ON: Se debe cambiar el filtro. Pro 600: sustituya ambos filtros Combi.
4	stop	Parpadea/encendido: Algo va mal; consulte «Resolución de problemas».
5	calibration	Botón de calibración, varias funciones; consulte el Complete User Manual.
6	purification level I	ON: Indica el nivel de purificación del agua con un escala del I al III. I es el nivel más bajo y III el más alto
7	purification level II	
8	purification level III	

## Interior del Pro y componentes de recambio

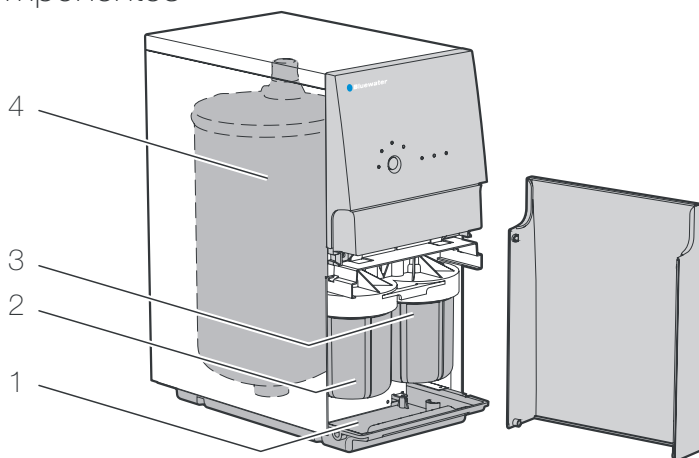


Figure 2. Interior del Pro

N.º	Descripción	Art. n.º	N.º	Descripción	Art. n.º
1	Placa base		3	Filtro previo II, Pro 600: bloque de carbón Combi	919240005
				Filtro previo II, Pro 400: filtro de carbón, granulado	919240003
2	Filtro previo I, Pro 600: bloque de carbón Combi	919240005	4	Membrana de ósmosis inversa	
	Filtro previo I, Pro 400: filtro de sedimentos	919240002		Kit de mantenimiento de membranas, tipo HR (Rechazo elevado)	150718900-SP
				Kit de mantenimiento de membranas, tipo HF (Caudal elevado)	150718901-SP

# VISTA GENERAL DEL SISTEMA

## Descripción del sistema

ES

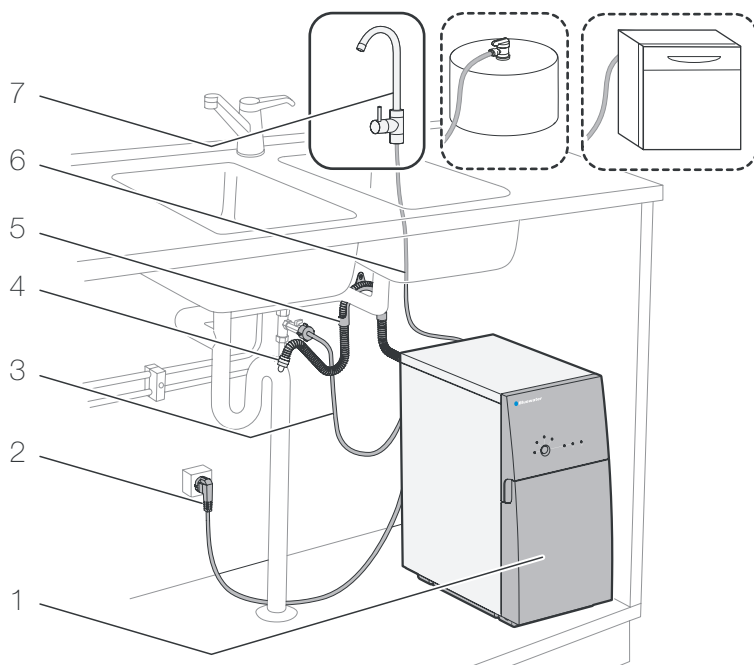


Figure 3. Vista general del sistema, ejemplo de instalación del Pro

N.º	Descripción	N.º	Descripción
1	Purificador de agua	5	Soporte para la manguera de desagüe
2	Cable de alimentación	6	Manguera de agua purificada
3	Manguera de agua de alimentación	7	Grifo de agua purificada (opcional, serie Pro 400)
4	Manguera de desagüe del agua, instalada con ventilación		

## Producción de agua



No utilice el agua a menos que los indicadores de «Nivel de purificación II y III» del panel de control estén encendidos. Pueden transcurrir hasta 60 segundos antes de que el purificador de agua indique que esta tiene la calidad necesaria.



En los modelos aptos para usos comerciales, el grifo se puede sustituir por una válvula o un depósito, por ejemplo.

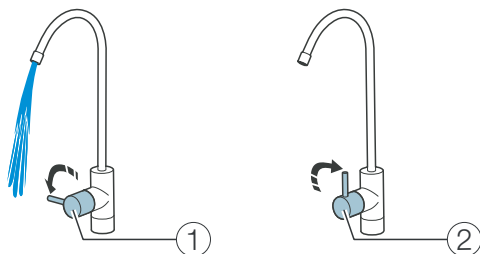


Figure 4. Encendido y apagado de la producción de agua

## Limpeza automática



El proceso de limpieza puede durar entre 5 y 120 segundos, en función de lo que durase la última salida de agua.

Se llevará a cabo una limpieza automática si se cumple alguna de las siguientes condiciones:

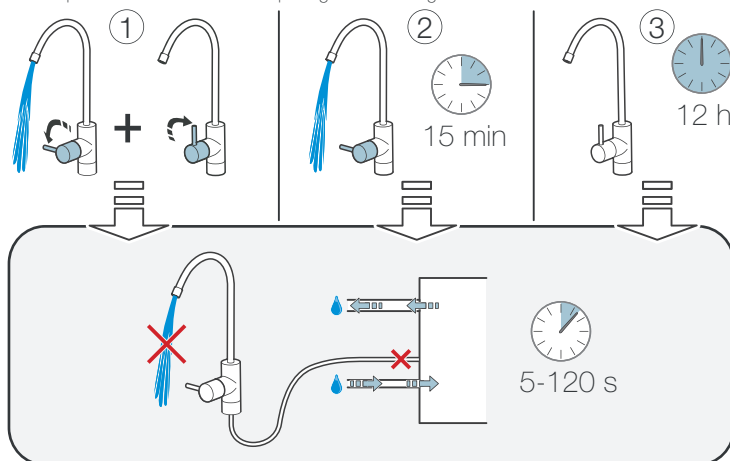


Figure 5. Limpeza automática

N.º	Descripción
1	Limpeza tras la salida de agua. Después de cada salida de agua.
2	Limpeza durante la salida de agua. Tras un funcionamiento máximo de 15 minutos (Pro 400B se debe reiniciar manualmente).
3	Purificador de agua en espera. Pro se conecta a las tomas de agua y a la alimentación eléctrica. La limpieza se lleva a cabo cada 12 horas, independientemente de cuándo se produjese la última salida de agua purificada.

# Instalación



Pro no debe suministrar agua a todos los grifos de la casa. Esto podría producir corrosión en las tuberías y el calentador.  
Si la instalación de Pro no es correcta, la garantía no lo cubrirá.



La instalación de fontanería debe cumplir con la reglamentación y las normativas locales.



El purificador de agua solo se debe conectar a la toma de agua fría. El agua debe tener la calidad suficiente y cumplir con los requisitos necesarios para el agua de alimentación.



Se recomienda confiar la instalación del purificador de agua a un profesional recomendado por un distribuidor autorizado de Bluewater.  
Las instrucciones de instalación se pueden consultar en el Complete User Manual y en [www.bluewatergroup.com](http://www.bluewatergroup.com).

ES

## Sistema de protección antifugas

El sensor instalado en la parte inferior del purificador detecta posibles fugas de agua. En caso de fuga, el suministro de entrada de agua se interrumpe. El purificador de agua no podrá volver a arrancar hasta que dicha fuga se haya subsanado.

## Protección contra baja presión



Si Pro se detiene como consecuencia de la baja presión, deberá solucionarse la causa de dicha baja presión. De lo contrario, la bomba podría verse dañada de forma irreparable.



Si Pro se detiene como consecuencia de un problema de baja presión (entrada de agua), puede pulsar el botón de calibración para poner en marcha manualmente la producción de agua.

## Función de reinicio de baja presión



Incluido únicamente en los modelos aptos para su uso comercial.

El reinicio de baja presión es una función que garantiza la máxima disponibilidad del agua.

Pro se pone en marcha automáticamente tras detenerse como consecuencia de la baja presión. Intenta arrancar tres veces: transcurridos 3 minutos, 20 minutos y 4 horas. Si la presión del agua no es lo suficientemente alta después de estos tres intentos, Pro se detendrá.

# MANTENIMIENTO

## Mantenimiento diario

Compruebe los indicadores

Paso	Acción
1	Compruebe que los indicadores del panel de control no estén encendidos ni parpadeen.

Limpie el purificador de agua



No utilice productos químicos para limpiar la superficie. El alcohol, la gasolina, los ácidos orgánicos e inorgánicos, o los productos químicos básicos fuertes (como los detergentes lavavajillas concentrados) pueden dañar la superficie.



No utilice herramientas rígidas ni afiladas para limpiar el purificador de agua.

Paso	Acción
1	Limpie la superficie externa con un paño húmedo suave y una solución jabonosa débil para eliminar el polvo, las manchas y la suciedad.
2	Seque la superficie con un paño seco suave.

## Mantenimiento regular



El mantenimiento regular es importante para lograr un funcionamiento correcto y duradero. Las tareas de mantenimiento únicamente se deberán encomendar a personal debidamente formado y autorizado.



Para obtener más información acerca de cómo efectuar el mantenimiento, consulte el Complete User Manual en [www.bluewatergroup.com](http://www.bluewatergroup.com).

Frecuencia	Descripción
1 mes	Compruebe las conexiones.
	Limpie la condensación de la placa base.
4-6 meses*	Sustituya los filtros. Cambie los filtros después de 4-6 meses o de 37 850 l (10 000 gal) de agua purificada, lo que suceda antes.
6 meses*	Descalcifique el equipo.
1 año	Compruebe la calidad del agua anualmente. Si el agua no está limpia, no la beba. Póngase en contacto con un distribuidor de Bluewater.
4-6 años*	Sustituya la membrana de ósmosis inversa (póngase en contacto con un distribuidor de Bluewater).

\*La frecuencia depende del uso y la calidad del agua



# INFORMACIÓN TÉCNICA

ES

		Dimensiones An.xPr.xAl.	Peso	Alimentación	Toma de tierra	Caudal de agua purificada	Nivel acústico
Pro 400B-HR	230V	225x466x460 mm	29 kg	530 W	230V, 50-60 Hz	6908 l/día (1825 gal/día)	< 60 dB(A)
	120V	8.9x18.3x18.1 "	64 lbs	6 Amp	120V, 60 Hz		
Pro 400C-HF	230V	225x466x460 mm	29 kg	530 W	230V, 50-60 Hz	6908 l/día (1825 gal/día)	< 60 dB(A)
	120V	8.9x18.3x18.1 "	64 lbs	6 Amp	120V, 60 Hz		
Pro 400C-HR	230V	225x466x460 mm	29 kg	530 W	230V, 50-60 Hz	6908 l/día (1825 gal/día)	< 60 dB(A)
	120V	8.9x18.3x18.1 "	64 lbs	6 Amp	120V, 60 Hz		
Pro 400BC-HR	230V	225x466x460 mm	29 kg	530 W	230V, 50-60 Hz	6908 l/día (1825 gal/día)	< 60 dB(A)
	120V	8.9x18.3x18.1 "	64 lbs	6 Amp	120V, 60 Hz		
Pro 400CV-HR	230V	225x466x470 mm	29 kg	530 W	230V, 50-60 Hz	6908 l/día (1825 gal/día)	< 60 dB(A)
	120V	8.9x18.3x18.5 "	64 lbs	6 Amp	120V, 60 Hz		
Pro 400BCV-HR	230V	225x466x470 mm	29 kg	530 W	230V, 50-60 Hz	6908 l/día (1825 gal/día)	< 60 dB(A)
	120V	8.9x18.3x18.5 "	64 lbs	6 Amp	120V, 60 Hz		
Pro 600C-HF	230V	225x466x460 mm	29 kg	720 W	230V 50-60 Hz	6908 l/día (1825 gal/día)	< 60 dB(A)
Pro 600CV-HR	230V	225x466x470 mm	29 kg	720 W	230V 50-60 Hz	6908 l/día (1825 gal/día)	< 60 dB(A)

## Requisitos de agua alimentación del purificador

		Temperatura	Presión de flujo del agua de alimentación.	Caudal de agua	TDS (Total Dissolved Solids) (ppm)	Conductividad [µS/ cm, 25 °C (77 °F)]	Dureza	Hierro Fe <sup>2+</sup> /Fe <sup>3+</sup> (mg/l)	Turbidez (FNU)
Pro 400B-HR	230V	2-30 °C	2-10 bar	> 8 l/min	< 7500	< 13 000	< 20 °dH	< 1.5/< 0.3	< 0.5
Pro 400BC-HR									
Pro 400BCV-HR									
Pro 400C-HF	230V	2-35 °C	2-10 bar	> 8 l/min	< 1500	< 2000	< 20 °dH	< 1.5/< 0.3	< 0.5
Pro 400C-HR									
Pro 400CV-HR									
Pro 600C-HF	230V	2-35 °C	2.5-10 bar	> 10 l/min	< 1500	< 2000	< 20 °dH	< 1.0/< 0.3	< 0.5
Pro 600CV-HR									



No utilice el purificador con agua si esta no es segura a nivel microbiológico o se desconoce su nivel de calidad por no disponer de la desinfección adecuada antes o después del sistema.



El purificador de agua solo se debe conectar a la toma de agua fría. Los límites de temperatura se encuentran en la tabla «Requisitos de agua alimentación del purificador».



Si desea obtener información más detallada, visite [www.bluewatergroup.com](http://www.bluewatergroup.com)

Para obtener más información acerca de las certificaciones, consulte «Rendimiento del producto».

# RESOLUCIÓN DE PROBLEMAS

## Cómo resolver problemas sencillos



Si Pro se detiene como consecuencia de alguna emergencia, desconéctelo de la alimentación eléctrica y vuélvalo a conectar, o bien pulse el botón de calibración para reiniciar la parada de emergencia.



Para la resolución de problemas más graves, consulte el Complete User Manual en [www.bluewatergroup.com](http://www.bluewatergroup.com)

Problema	Causa	Solución
	Se debe cambiar el filtro I. Pro 600: sustituya ambos filtros Combi.	Consulte el Complete User Manual
	El filtro de rejilla está atascado.	Consulte el Complete User Manual
	La presión del agua de alimentación es demasiado baja.	Asegúrese de que la presión del agua de entrada sea suficiente. Si fuese necesario, aumente la presión.
	Se debe cambiar el filtro II. Pro 600: sustituya ambos filtros Combi.	Consulte el Complete User Manual
	La presión del agua de alimentación es demasiado baja. El purificador de agua se ha detenido. Se mantiene en espera y debe volver a ponerse en marcha.	El purificador de agua intentará ponerse en marcha automáticamente. Asegúrese de que la presión del agua de entrada sea suficiente. Si fuese necesario, sustituya los filtros. Consulte el Complete User Manual.  Pulse el botón de calibración para poner en marcha el purificador de agua. Suelte el botón cuando el indicador del filtro I y el de parada se apaguen.
	Se ha atascado el filtro I o el II.	Asegúrese de que no haya nada en el filtro que pueda obstruir el caudal de agua. Si fuese necesario, sustituya los filtros. Consulte el Complete User Manual.
	La rejilla está atascada.	Consulte el Complete User Manual
	Hay una fuga de agua o condensación en la placa base.	Asegúrese de que todas las conexiones de agua estén bien apretadas. Incline el purificador de agua hacia delante y seque la placa base con un trapo.
	La presión del agua de alimentación es demasiado baja.	Instale una bomba que ejerza más presión sobre la entrada de agua.  Compruebe los componentes que afectan a la presión del agua de alimentación (la toma de agua, el filtro grueso, el filtro previo adicional).
	El purificador de agua se ha detenido. La calidad del agua ha disminuido excesivamente.	Purificador de agua nuevo: calibrelo; consulte el Complete User Manual.  Purificador de agua usado: desconéctelo de la alimentación eléctrica. Vuelva a conectarlo para poner en marcha la limpieza automática. Realice esta operación dos o tres veces.
	Ejecución incorrecta de la calibración	Consulte el Complete User Manual

Problema	Causa	Solución
	El medidor de calidad del agua no funciona correctamente.	Desconecte el purificador de agua de la alimentación eléctrica. Vuelva a conectarlo para poner en marcha la limpieza automática. No utilice el purificador de agua durante dos horas.
	El grifo ha estado abierto durante más de 15 minutos. El purificador de agua se ha detenido. (Pro 400B)	Cierre el grifo y espere un mínimo de 30 minutos.  Desconecte el purificador de agua de la alimentación eléctrica. Vuelva a conectarlo para poner en marcha la limpieza automática.
El caudal del grifo de agua purificada es bajo.	La manguera de agua purificada está tensionada o atascada.	Asegúrese de que la manguera de agua purificada se mueva con fluidez.
	El purificador de agua necesita un proceso de descalcificación.	Consulte el Complete User Manual.
El purificador de agua se pone en marcha y se vuelve a detener (arranques cortos).	La presión de agua entre el purificador y el grifo/válvula/depósito es inferior al nivel de arranque.	Revise las conexiones.
		Asegúrese de que los extremos de la manguera sean redondos y no tengan rebaba.
		Asegúrese de que los grifos y las válvulas no tengan fugas cuando están cerrados.
El purificador de agua desprende mal olor.	Se han generado microbios en el agua porque el purificador no se ha utilizado durante una semana o más.	Consulte el Complete User Manual.

## Rendimiento del producto



El Sello de Oro de la WQA es la prueba de que el purificador de agua Bluewater ha sido probado de forma independiente y certificado de acuerdo con las normas NSF/ANSI 58 y CSA B483.1. La Asociación de la Calidad del Agua (WQA) certifica el rendimiento del producto, además de revisar las instalaciones y los procedimientos de producción para garantizar la consistencia e integridad del producto.

El purificador de agua Bluewater Pro ha sido probado de acuerdo con la norma NSF/ANSI 58 para la reducción de las sustancias indicadas a continuación:

- TDS
- Cromo (+3)
- Plomo
- Arsénico (+5) (también conocido como arsénico pentavalente, As (+5), As (V) o arseniato).

La concentración de las sustancias indicadas en el agua que accede al sistema se reduce hasta un nivel inferior o igual al límite permitido para el agua que sale del sistema, según lo estipulado por la norma NSF/ANSI 58.

Consulte la ficha técnica del rendimiento que encontrará en [www.bluewatergroup.com](http://www.bluewatergroup.com) para obtener más detalles.

En la ficha técnica del arsénico, que también se encuentra en [www.bluewatergroup.com](http://www.bluewatergroup.com), encontrará información sobre las condiciones relacionadas con la eficacia de reducción del arsénico (+5) y por qué es posible que otras formas de arsénico no se eliminen en la misma medida.

# Índice

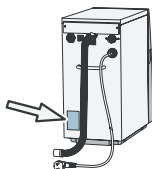
SEGURANÇA.....	37
Instruções de segurança .....	37
Informações de segurança .....	37
VISÃO GERAL DO PRODUTO.....	38
Modelos .....	38
Parte exterior do Pro.....	38
Parte interior do Pro e componentes de substituição .....	39
VISÃO GERAL DO SISTEMA.....	40
Descrição do sistema.....	40
Produção de água .....	41
Instalação .....	42
Sistema de proteção contra fugas .....	42
Proteção contra pressão baixa.....	42
MANUTENÇÃO .....	43
Manutenção diária.....	43
Manutenção regular .....	43
INFORMAÇÕES TÉCNICAS.....	44
RESOLUÇÃO DE PROBLEMAS.....	45
Resolução de problemas simples .....	45
Desempenho do produto .....	46

## Assistência ao cliente

Consulte a secção “Resolução de problemas” para resolver pequenos problemas antes de solicitar assistência. Caso necessite de assistência externa, esta pode ter um custo.

Certifique-se de que tem os seguintes dados (contidos na placa de dados) à mão quando contactar a Bluewater:

- Modelo
- Número do produto
- Número de série



## Informações ambientais



Oitenta por cento dos componentes dos purificadores de água e das suas embalagens contêm uma etiqueta para o ajudar a reciclá-los e eliminá-los corretamente. O purificador de água é mais eficiente quando limpa água durante longos períodos. Exemplo: não encha um copo com água. Encha antes um jarro.



Os dispositivos que contenham este símbolo devem ser depositados no ponto de receção local designado para a eliminação de equipamentos elétricos e eletrónicos. Este produto não pode ser eliminado através dos processos normais de recolha de resíduos domésticos.

# SEGURANÇA

## Instruções de segurança

Antes de instalar ou utilizar o dispositivo, deve ler as informações de segurança. Cumpra as instruções neste manual para evitar lesões ou danos no equipamento. Este manual contém indicações de ATENÇÃO e NOTAS aplicáveis para o funcionamento do dispositivo em segurança.



Uma indicação de ATENÇÃO identifica condições que podem causar lesões ou danos no equipamento. Cumpra as instruções e não continue até que todas as condições estejam reunidas e sejam aceitáveis.



Uma indicação de NOTA identifica informações importantes para uma utilização ideal e sem problemas do purificador de água.

PT

## Informações de segurança



Utilize apenas a água limpa quando as luzes “Purification level II e/ou III” do painel de controlo estiverem ligadas.



Este dispositivo pode ser utilizado por crianças com idade superior a 8 anos. Também pode ser utilizado por pessoas com capacidades físicas, sensoriais ou mentais reduzidas ou com falta de experiência e conhecimento, desde que tenham supervisão ou recebido instruções relativamente à utilização do dispositivo de forma segura e compreendam os riscos envolvidos.



Não repare nem modifique peças do purificador de água. Isto poderá provocar o funcionamento incorreto do dispositivo e causar lesões e danos que não são cobertos pela garantia.



O Pro é um sistema de osmose inversa. Contém uma membrana substituível que é muito importante para a redução efetiva de sólidos dissolvidos totais (SDT). Substitua regularmente esta membrana.



Quaisquer operações de assistência e reparação no purificador de água podem ser realizadas apenas por pessoal aprovado pela Bluewater. Utilize apenas peças e cartuchos de substituição originais da Bluewater. Para obter o catálogo de peças sobresselentes e informações de contacto para compras, consulte [www.bluewatergroup.com](http://www.bluewatergroup.com).



A água a ser limpa deve cumprir os requisitos das “Informações técnicas”. Teste a água quando o purificador de água for instalado e depois uma vez todos os anos. Se a água não estiver limpa ou tiver um gosto ou cheiro desagradável, não a beba.



A instalação deve cumprir as normas e os regulamentos de canalização locais aplicáveis.



Ligue o purificador de água a uma fonte de alimentação com ligação à terra. Utilize uma tomada que seja de fácil acesso após a instalação. As ligações permanentes no sistema devem ser executadas apenas por um electricista aprovado. Deve ser instalado um interruptor de segurança no sistema. A instalação incorreta pode causar danos ou tornar perigosa a utilização do purificador de água.



Não utilizar o cabo de alimentação se este apresentar sinais visíveis de danos. Caso o cabo de alimentação se encontre danificado, este deve ser substituído por um electricista qualificado para prevenir perigos.



Não utilizar o cabo de alimentação se este apresentar sinais visíveis de danos. Caso o cabo de alimentação se encontre danificado, este deve ser substituído por um electricista qualificado para prevenir perigos.



Não utilize o Pro sem um filtro. Se o fizer poderão ocorrer danos. Quando o Pro é limpo ou armazenado, o filtro pode ser removido.



Se o purificador de água for desligado da água e da eletricidade por >5 dias, armazene-o conforme descrito no capítulo “Armazenamento” do manual Complete User.

# VISÃO GERAL DO PRODUTO

## Modelos

Modelo	Capaz de processar um TDS mais elevado, incluindo água de entrada salobra	Adequado para uso comercial sem um corte automático	Válvula de lavagem de água limpa adequada para ambientes em que é necessária uma qualidade de água extra elevada
Pro 400B-HR	✓		
Pro 400C-HF		✓	
Pro 400C-HR		✓	
Pro 400BC-HR	✓	✓	
Pro 400CV-HR		✓	✓
Pro 400BCV-HR	✓	✓	✓
Pro 600C-HF		✓	
Pro 600CV-HR		✓	✓

## Parte exterior do Pro

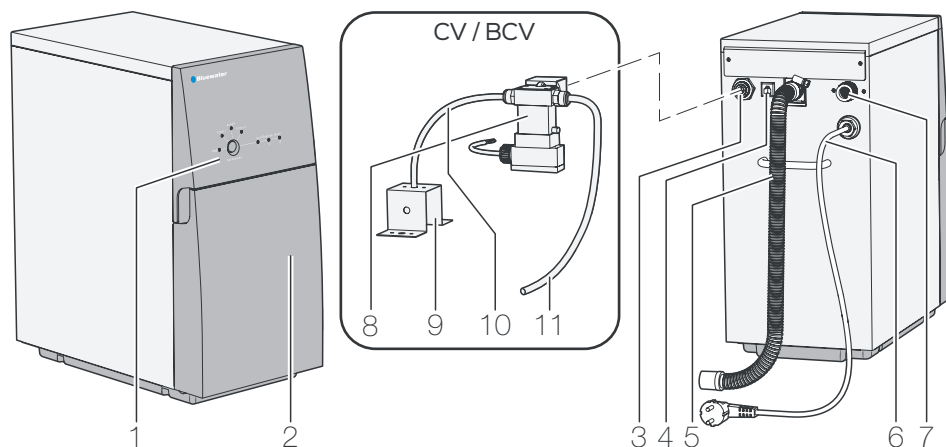


Figure 1. Parte exterior do Pro

Item	Descrição	Item	Descrição
1	Painel de controlo	7	Ligação de alimentação de água com filtro de rede
2	Cobertura frontal	8	Válvula de lavagem de água limpa (modelos CV)
3	Ligação da água limpa	9	Suporte de caixa de ar
4	Ligação elétrica da torneira (opcional)	10	Tubo de água de lavagem
5	Mangueira de drenagem de água	11	Tubo de água pura
6	Cabo de alimentação		

## Painel de controlo



Consulte a secção “Resolução de problemas” para obter informações sobre combinações de luzes intermitentes/ligadas.

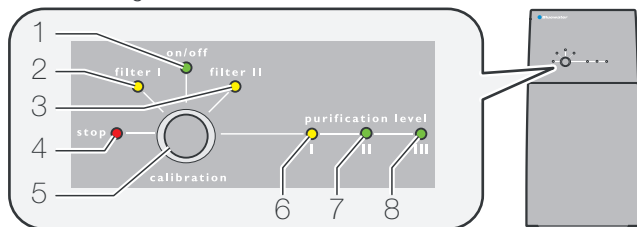


Figure 2. Painel de controlo

Item	Luz/botão	Descrição
1	on/off	On: O purificador de água está ligado à alimentação elétrica Off: O purificador de água não está ligado à alimentação elétrica
2	filter I	On: O filtro deve ser substituído. Pro 600: substitua ambos os filtros Combi.
3	filter II	On: O filtro deve ser substituído. Pro 600: substitua ambos os filtros Combi.
4	stop	Intermitente/Ligada: Existe um erro. Consulte a secção “Resolução de problemas” .
5	calibration	Botão calibration, várias funções. Consulte o Complete User manual.
6	purification level I	On: Purification level I-III indica o nível de purificação da água limpa. Nível baixo I até nível elevado III
7	purification level II	
8	purification level III	

## Parte interior do Pro e componentes de substituição

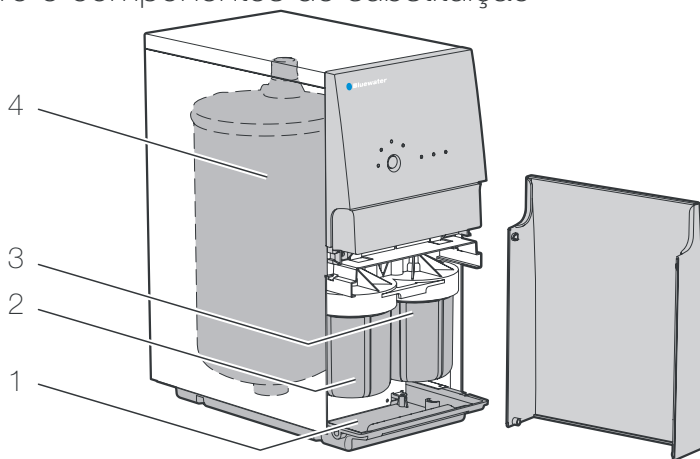


Figure 3. Parte interior do Pro

Item	Descrição	Nº do art.	Item	Descrição	Nº do art.
1	Placa de base		3	Pré-filtro II, Pro 600: Bloco Combi Carbon	919240005
			3	Pré-filtro II, Pro 400: Filtro de carbono, granulado	919240003
2	Pré-filtro I, Pro 600: Bloco Combi Carbon	919240005	4	Membrana de osmose inversa	
	Pré-filtro I, Pro 400: Filtro de sedimentos	919240002		Kit de serviço da membrana, tipo HR (Elevada rejeição)	150718900-SP
				Kit de serviço da membrana, tipo HF (Elevado fluxo)	150718901-SP

# VISÃO GERAL DO SISTEMA

## Descrição do sistema

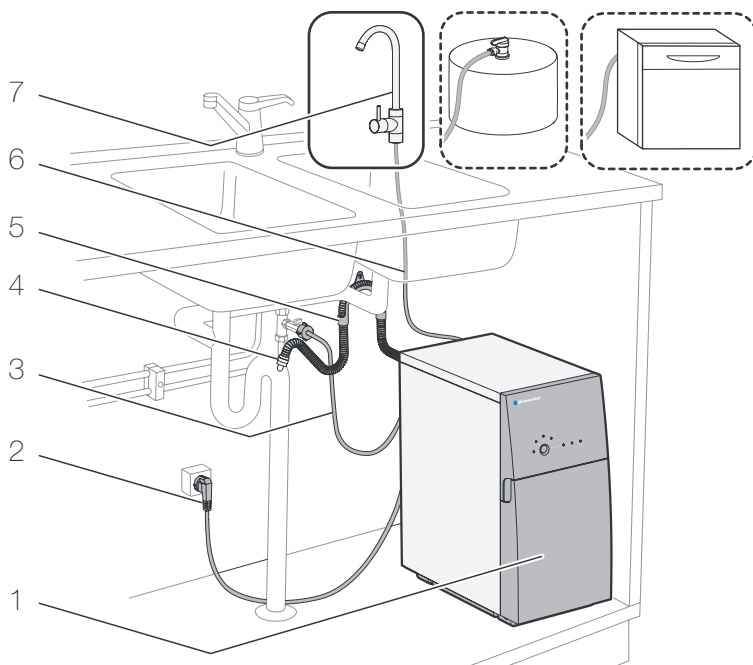


Figure 4. Descrição geral do sistema, um exemplo da instalação Pro

Item	Descrição	Item	Descrição
1	Purificador de água	5	Suporte da mangueira de drenagem de água
2	Cabo de alimentação	6	Mangueira de água limpa
3	Mangueira de alimentação de água	7	Torneira de água limpa (opcional na série Pro 400)
4	Mangueira de drenagem de água, instalada com caixa de ar		



# Produção de água



Utilize apenas a água limpa quando as luzes “Purification level II e III” do painel de controlo estiverem ligadas. Poderá demorar até 60 segundos antes que o purificador de água indique uma boa qualidade da água.



Nos modelos adequados para uso comercial, a torneira pode ser substituída, por exemplo, por uma válvula ou um depósito.

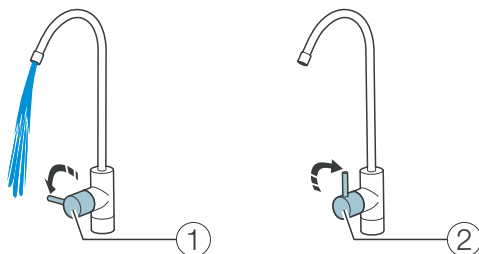


Figure 5. Ligar/desligar a produção de água

## Lavagem automática



A duração do processo de lavagem varia entre 5 e 120 segundos, dependendo do tempo que demorou a extração de água anterior.

Será executada uma lavagem automática se uma das seguintes condições for observada:

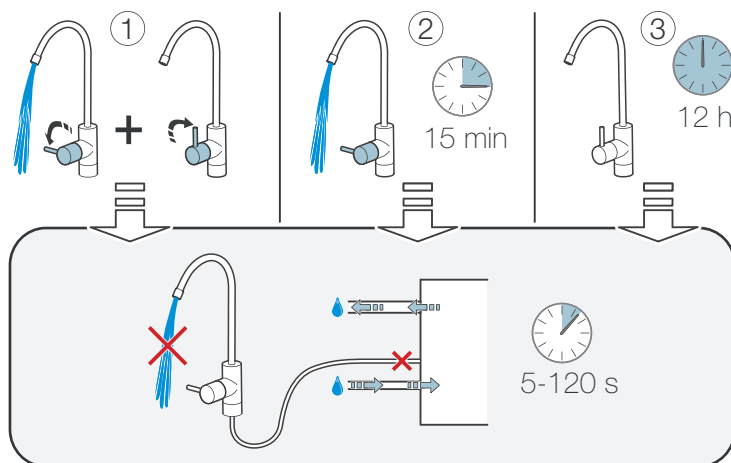


Figure 6. Lavagem automática

Item	Descrição
1	Lavagem após a extração de água. Sempre após a extração de água.
2	Lavagem durante a extração de água. Após o tempo de funcionamento máximo de 15 minutos. (O Pro 400B deve ser reiniciado manualmente)
3	Purificador de água no modo de suspensão. O Pro está ligado à água e à alimentação elétrica. A lavagem é efetuada a cada 12 horas, independentemente de quando foi produzida a última água limpa.

## Instalação



O Pro não deve fornecer água para todas as torneiras da casa. Isto pode causar corrosão nos tubos de água e nos aquecedores de água.

Caso o Pro não tenha sido instalado corretamente, não será coberto pela garantia.



A instalação deve cumprir as normas e os regulamentos de canalização locais aplicáveis.



Ligue o purificador de água apenas ao fornecimento de água fria. A água deverá ter qualidade suficiente e cumprir os requisitos de fornecimento de água.



Recomendamos que o purificador de água seja instalado por um profissional recomendado por um concessionário Bluewater autorizado.

As instruções de instalação estão disponíveis no Complete User manual e em [www.bluewatergroup.com](http://www.bluewatergroup.com).

## Sistema de proteção contra fugas

Um sensor no fundo do purificador de água deteta fugas de água. Caso haja alguma fuga, o fornecimento de alimentação de água é interrompido. O purificador de água não pode ser ligado novamente até que a fuga seja reparada.

## Proteção contra pressão baixa



Se o Pro parar devido a uma pressão baixa, a causa da pressão baixa deverá ser eliminada. Caso contrário, a bomba poderá sofrer danos permanentes.



Quando o Pro para devido a um problema de pressão baixa (alimentação de água), a produção de água pode ser iniciada manualmente premindo o botão calibration.

## Função de reinício após pressão baixa



Apenas incluída em modelos adequados para uso comercial.

O reinício após pressão baixa é uma função para garantir a máxima disponibilidade de água.

O Pro arranca automaticamente depois de parar devido a uma pressão baixa. Tenta arrancar três vezes: após 3 minutos, após 20 minutos e após 4 horas. Se a pressão da água não for suficientemente alta após as três tentativas, o Pro para.

# MANUTENÇÃO

## Manutenção diária

Verificar os indicadores luminosos

Passo	Ação
1	Certifique-se de que as luzes no painel de controlo não estão ligadas nem a piscar.

PT

Limpar o purificador de água



Não utilize produtos químicos para limpar a superfície. A utilização de álcool, petróleo, ácidos orgânicos e inorgânicos, produtos químicos básicos fortes (tais como detergente concentrado para máquina de lavar louça) provocará danos na superfície.



Não utilize ferramentas rígidas ou afiadas para limpar o purificador de água.

Passo	Ação
1	Limpe a superfície exterior com um pano macio e húmido e uma solução com pouco sabão para remover pó, manchas e sujidade.
2	Seque com um pano seco e macio.

## Manutenção regular



A manutenção regular é importante para uma correta utilização das funções e funcionamento a longo prazo. A manutenção apenas pode ser realizada por pessoal aprovado e com a devida formação.



Para obter instruções sobre como efetuar a manutenção, consulte o Complete User manual em [www.bluewatergroup.com](http://www.bluewatergroup.com)

Frequência	Descrição
1 mês	Verifique as ligações
	Limpe a condensação da placa de base.
4-6 meses*	Substitua os filtros. Substitua os filtros após 4-6 meses ou 37 850 l (10 000 gal) de água purificada, o que ocorrer primeiro.
6 meses*	Remova os depósitos de calcário
1 ano	Teste a água todos os anos. Se a água não estiver limpa, não a beba. Contacte um concessionário Bluewater.
4-6 anos*	Substitua a membrana de osmose inversa (contacte o seu concessionário Bluewater)

\*A frequência depende da utilização e da qualidade da água

# INFORMAÇÕES TÉCNICAS

		Dimensões LxAxP	Peso	Energia	Fonte de alimentação com ligação à terra	Débito de água purificada	Nível de som
Pro 400B-HR	230V	225x466x460 mm	29 kg	530 W	230V, 50-60 Hz	6 908 l/dia (1825 galões/dia)	< 60 dB(A)
	120V	8.9x18.3x18.1 "	64 lbs	6 Amp	120V, 60 Hz		
Pro 400C-HF	230V	225x466x460 mm	29 kg	530 W	230V, 50-60 Hz	6 908 l/dia (1825 galões/dia)	< 60 dB(A)
	120V	8.9x18.3x18.1 "	64 lbs	6 Amp	120V, 60 Hz		
Pro 400C-HR	230V	225x466x460 mm	29 kg	530 W	230V, 50-60 Hz	6 908 l/dia (1825 galões/dia)	< 60 dB(A)
	120V	8.9x18.3x18.1 "	64 lbs	6 Amp	120V, 60 Hz		
Pro 400BC-HR	230V	225x466x460 mm	29 kg	530 W	230V, 50-60 Hz	6 908 l/dia (1825 galões/dia)	< 60 dB(A)
	120V	8.9x18.3x18.1 "	64 lbs	6 Amp	120V, 60 Hz		
Pro 400CV-HR	230V	225x466x470 mm	29 kg	530 W	230V, 50-60 Hz	6 908 l/dia (1825 galões/dia)	< 60 dB(A)
	120V	8.9x18.3x18.5 "	64 lbs	6 Amp	120V, 60 Hz		
Pro 400BCV-HR	230V	225x466x470 mm	29 kg	530 W	230V, 50-60 Hz	6 908 l/dia (1825 galões/dia)	< 60 dB(A)
	120V	8.9x18.3x18.5 "	64 lbs	6 Amp	120V, 60 Hz		
Pro 600C-HF	230V	225x466x460 mm	29 kg	720 W	230V 50-60 Hz	6 908 l/dia (1825 galões/dia)	< 60 dB(A)
Pro 600CV-HR	230V	225x466x470 mm	29 kg	720 W	230V 50-60 Hz	6 908 l/dia (1825 galões/dia)	< 60 dB(A)

## Requisitos da alimentação de água do purificador de água

		Temperatura	Pressão do fluxo de alimentação de água.	Fluxo de água	TDS (Total Dissolved Solids) [ppm]	Condutividade [µS/cm, 25 °C (77 °F)]	Dureza	Ferro Fe <sup>2+</sup> /Fe <sup>3+</sup> [mg/l]	Turbidez [FNU]
Pro 400B-HR	230V	2-30 °C	2-10 bar	> 8 l/min	< 7500	< 13 000	< 20 °dH	< 1.5/< 0.3	< 0.5
Pro 400BC-HR	120V	36-86 °F	29-145 psi	> 2.1 gal/min					
Pro 400BCV-HR		230V	2-35 °C	2-10 bar	> 8 l/min	< 1500	< 2000	< 20 °dH	< 1.5/< 0.3
Pro 400C-HF	120V	36-95 °F	29-145 psi	> 2.1 gal/min					
Pro 400C-HR	230V	2-35 °C	2.5-10 bar	> 10 l/min	< 1500	< 2000	< 20 °dH	< 1.0/< 0.3	< 0.5
Pro 400CV-HR									
Pro 600C-HF	230V	2-35 °C	2.5-10 bar	> 10 l/min	< 1500	< 2000	< 20 °dH	< 1.0/< 0.3	< 0.5
Pro 600CV-HR									



Não use com água que seja microbiologicamente insegura ou de qualidade desconhecida sem desinfecção suficiente antes ou após o sistema



Ligue apenas ao fornecimento de água fria. Os limites de temperatura encontram-se na tabela "Requisitos do fornecimento de água ao purificador de água".



Para obter informações mais pormenorizadas, consulte [www.bluewatergroup.com](http://www.bluewatergroup.com)

Para mais informação sobre certificações, consulte "Desempenho do produto".

# RESOLUÇÃO DE PROBLEMAS

## Resolução de problemas simples



Se o Pro parar devido a uma emergência, desligue-o da alimentação elétrica e volte a ligá-lo, ou prima o botão calibration para repor a paragem de emergência.



Para problemas mais graves, consulte o Complete User manual em [www.bluewatergroup.com](http://www.bluewatergroup.com)

PT

Sintoma	Causa	Solução
	O filtro I deve ser substituído. Pro 600: substitua ambos os filtros Combi.	Consulte o Complete User manual.
	O filtro de rede está obstruído.	Consulte o Complete User manual.
	A pressão da alimentação de água está demasiado baixa.	Certifique-se de que a pressão da alimentação de água é suficiente. Se necessário, aumente a pressão.
	O filtro II deve ser substituído. Pro 600: substitua ambos os filtros Combi.	Consulte o Complete User manual.
	A pressão da alimentação de água está demasiado baixa. O purificador de água parou. Encontra-se em espera e deve ser reiniciado.	O purificador de água tentará arrancar automaticamente. Certifique-se de que a pressão da alimentação de água é suficiente. Se necessário, substitua os filtros. Consulte o Complete User manual.  Prima o botão calibration para iniciar o purificador de água. Solte o botão quando as luzes filter I e stop se apagarem.
	O filtro I ou o filtro II está obstruído.	Certifique-se de que não existe nada no filtro a impedir o fluxo de água. Se necessário, substitua os filtros. Consulte o Complete User manual.
	A rede está obstruída.	Consulte o Complete User manual.
	Existe uma fuga de água ou condensação na placa de base.	Certifique-se de que todas as ligações estão estanques. Incline o purificador de água para a frente, e seque a placa de base com um pano.
	A pressão da alimentação de água está demasiado baixa.	Instale uma bomba com maior pressão para a alimentação de água.  Verifique as peças que têm um efeito sobre a pressão da alimentação de água (a canalização de água, o filtro grosseiro, o pré-filtro extra).
	O purificador de água parou. A qualidade da água limpa tornou-se demasiado baixa.	Purificador de água novo: calibre-o. Consulte o Complete User manual.  Purificador de água usado: Desligue-o da alimentação elétrica. Volte a ligá-lo para iniciar a lavagem automática. Efetue este procedimento 2 ou 3 vezes.
	Calibragem não realizada corretamente	Consulte o Complete User manual.

Sintoma	Causa	Solução
	O medidor da qualidade da água não funciona corretamente.	Desligue o purificador de água da alimentação elétrica. Volte a ligá-lo para iniciar a lavagem automática. Não utilize o purificador de água durante 2 horas.
	A torneira esteve aberta durante mais de 15 minutos. O purificador de água parou. (Pro 400B)	<p>Feche a torneira e aguarde, pelo menos, 30 minutos.</p> <p>Desligue o purificador de água da alimentação elétrica. Volte a ligá-lo para iniciar a lavagem automática.</p>
O débito da torneira de água limpa é baixo.	A mangueira de água limpa está sob tensão ou bloqueada.	Certifique-se de que a mangueira de água limpa se pode mover livremente.
	O purificador de água necessita de ser desincrustado.	Consulte o Complete User manual.
O purificador de água arranca e para novamente (arranques curtos).	A pressão da água entre o purificador de água e a torneira/a válvula/o depósito é inferior ao nível de pressão de arranque.	Verifique as ligações.
		Certifique-se de que as extremidades da mangueira de água são circulares e não têm rebarbas.
		Certifique-se de que as torneiras e as válvulas são estanques quando estão fechadas.
O purificador de água tem um cheiro desagradável.	Crescimento microbiano na água por falta de funcionamento do purificador de água por uma semana ou mais.	Consulte o Complete User manual.

## Desempenho do produto



O selo dourado WQA prova que o purificador de água Bluewater foi testado e certificado por uma entidade independente em conformidade com a NSF/ANSI 58 e a norma CSA B483.1. O WQA certifica o desempenho do produto e analisa as instalações de produção e os procedimentos para garantir a consistência e a integridade do produto.

O purificador de água Bluewater Pro foi testado em conformidade com a NSF/ANSI 58 para redução das substâncias listadas em baixo:

- TDS
- Crómio(+3)
- Chumbo
- Arsénio(+5) (também conhecido como arsénico pentavalente, As(+5), As(V) ou arsenato).

A concentração das substâncias indicadas na água que entra no sistema foi reduzida para uma concentração inferior ou igual ao limite permitido para a água que sai do sistema, tal como especificado na NSF/ANSI 58.

Consulte a ficha técnica do desempenho em [www.bluewatergroup.com](http://www.bluewatergroup.com) para obter mais informações.

Na ficha de dados do arsénico, que também pode encontrar em [www.bluewatergroup.com](http://www.bluewatergroup.com), encontrará informação sobre as condições que estão relacionadas com a eficiência da redução de arsénico(+5) e porque outras formas de arsénico não poderão ser removidas da mesma maneira.

# Indice

SICUREZZA .....	48
Istruzioni per la sicurezza.....	48
Informazioni sulla sicurezza .....	48
PANORAMICA DEL PRODOTTO .....	49
Modelli.....	49
Esterno del Pro .....	49
Interno di Pro e parti di ricambio .....	50
PANORAMICA DEL SISTEMA.....	51
Descrizione del sistema.....	51
Produzione di acqua.....	52
Installazione.....	53
Sistema di protezione dell'impianto.....	53
Protezione in caso di bassa pressione.....	53
MANUTENZIONE.....	54
Manutenzione giornaliera .....	54
Manutenzione regolare .....	54
INFORMAZIONI TECNICHE.....	55
RISOLUZIONE DEI PROBLEMI .....	56
Come risolvere problemi semplici.....	56
Prestazioni del prodotto .....	57

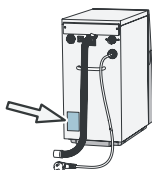
IT

## Assistenza clienti

Per i problemi minori consultare "Risoluzione dei problemi" prima di contattare l'assistenza. L'eventuale assistenza esterna può comportare costi aggiuntivi.

Per contattare Bluewater, sarà necessario avere a disposizione i seguenti dati (reperibili sulla targhetta identificativa):

- Modello
- Codice prodotto
- Numero di serie



## Informazioni ambientali



L'80% dei componenti del depuratore d'acqua e la relativa confezione sono dotati di un'etichetta per facilitare il riciclo e lo smaltimento corretti. Il depuratore d'acqua è più efficiente quando agisce per periodi prolungati. Per es., non riempire un bicchiere di acqua, ma una caraffa.



Gli apparecchi dotati di questo simbolo devono essere portati al punto di raccolta locale previsto per lo smaltimento delle apparecchiature elettriche ed elettroniche. Questo prodotto non può essere smaltito con i normali processi di raccolta dei rifiuti domestici.

# SICUREZZA

## Istruzioni per la sicurezza

Prima di installare o utilizzare il dispositivo, leggere le informazioni sulla sicurezza. Rispettare le istruzioni contenute nel presente manuale per evitare lesioni personali o danni all'apparecchio. Questo manuale contiene ATTENZIONI e AVVISI da seguire per garantire un funzionamento sicuro del dispositivo.



“ATTENZIONE” indica condizioni che possono provocare lesioni o danni all'apparecchio. Rispettare le istruzioni e non utilizzare l'apparecchio fino a quando tutte le condizioni non vengono accettate e soddisfatte.



“Nota” identifica informazioni importanti per un uso ottimale e senza problemi del depuratore d'acqua.

## Informazioni sulla sicurezza



Utilizzare acqua pulita quando le spie “Purification level II” e/o “Purification level III” sul pannello di controllo sono accese.



Questo apparecchio può essere usato da bambini con età superiore a 8 anni. Non è destinato a essere utilizzato da persone con ridotte capacità fisiche, sensoriali o mentali oppure con esperienza o competenze insufficienti, a meno che non siano sotto la supervisione di una persona responsabile o vengano istruite in merito all'utilizzo sicuro dell'apparecchio, in modo da comprendere i rischi che esso comporta.



Non riparare o modificare parti del depuratore d'acqua. Ciò potrebbe causare un funzionamento errato e provocare lesioni e danni non coperti dalla garanzia.



Pro è un depuratore d'acqua a osmosi inversa. Contiene una membrana sostituibile che è molto importante per un'efficace riduzione dei solidi totali disciolti, TDS. Sostituire periodicamente la membrana.



Solo il personale autorizzato Bluewater può eseguire manutenzione e riparazioni sul depuratore d'acqua. Si consiglia di utilizzare solo cartucce e parti di ricambio originali Bluewater. Per il catalogo ricambi e per informazioni sugli acquisti, consultare [www.bluewatergroup.com](http://www.bluewatergroup.com).



L'acqua da depurare deve rispettare i requisiti riportati in “Informazioni tecniche”. Testare l'acqua una volta installato il depuratore; successivamente è sufficiente rieseguire il test una volta all'anno. Non bere acqua non pulita o con un gusto o un odore sgradevole.



L'installazione deve rispettare i codici e le regolamentazioni idrauliche locali vigenti.



Collegare il depuratore d'acqua a una rete elettrica con messa a terra. Usare una spina che sia facilmente accessibile anche dopo l'installazione. Il cablaggio permanente deve essere eseguito solo da un elettricista autorizzato. Installare un interruttore di sicurezza sull'impianto. Un'installazione non corretta può provocare danni o rendere pericoloso l'uso del depuratore d'acqua.



Non usare il cavo di alimentazione se presenta segni visibili di danneggiamento. Se il cavo di alimentazione è danneggiato, un elettricista qualificato deve sostituirlo per evitare danni.



Non utilizzare Pro senza filtro. In caso contrario, si possono causare danni. Il filtro può essere rimosso quando Pro viene pulito o riposto.



Se il depuratore d'acqua rimane scollegato dall'acqua e dall'elettricità per più di una settimana, riportarlo come descritto nel Complete User manual in “Conservazione”.



# PANORAMICA DEL PRODOTTO

## Modelli

Modello	Capacità di gestire TDS elevati, inclusa acqua di ingresso salmastra	Idoneo per uso commerciale senza spegnimento automatico	Valvola di risciacquo dell'acqua pulita idonea per ambienti in cui è richiesta una qualità dell'acqua particolarmente elevata
Pro 400B-HR	✓		
Pro 400C-HF		✓	
Pro 400C-HR		✓	
Pro 400BC-HR	✓	✓	
Pro 400CV-HR		✓	✓
Pro 400BCV-HR	✓	✓	✓
Pro 600C-HF		✓	
Pro 600CV-HR		✓	✓

IT

## Esterno del Pro

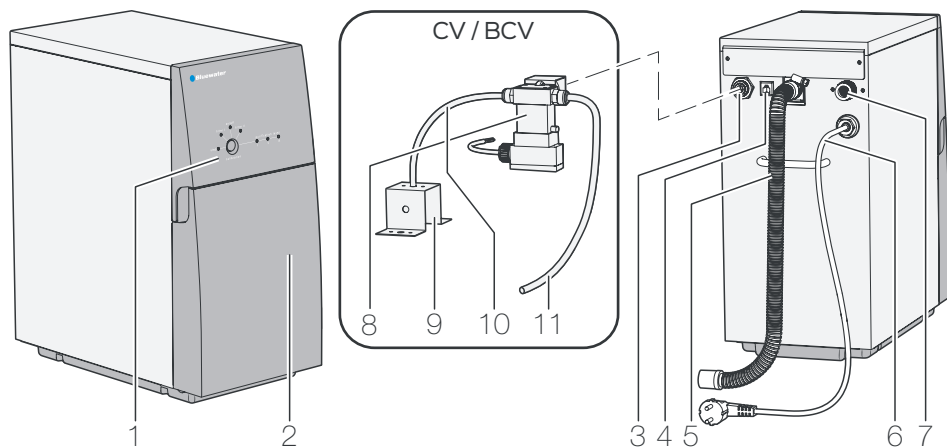


Figure 1. Esterno del Pro

Pos	Descrizione	Pos	Descrizione
1	Pannello di controllo	7	Collegamento acqua di mandata con filtro a griglia
2	Protezione anteriore	8	Valvola di risciacquo dell'acqua pulita (modelli CV)
3	Collegamento acqua pulita	9	Staffa per il passaggio dell'aria
4	Collegamento elettrico per rubinetto (optional)	10	Tubo dell'acqua di risciacquo
5	Flessibile acqua di scarico	11	Tubo dell'acqua pura
6	Cavo elettrico		

## Pannello di controllo



Per informazioni sul significato delle combinazioni di spie lampeggianti/accese, vedere “Risoluzione dei problemi”.

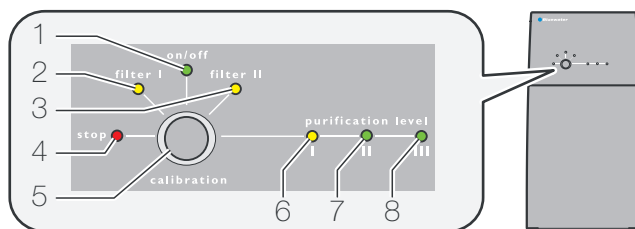


Figure 2. Pannello di controllo

Pos	Spia/pulsante	Descrizione
1	on/off	Acceso: Il depuratore d'acqua è collegato all'alimentazione. Spento: Il depuratore d'acqua non è collegato all'alimentazione.
2	filter I	Acceso: Il filtro deve essere sostituito. Pro 600: sostituire entrambi i filtri Combi.
3	filter II	Acceso: Il filtro deve essere sostituito. Pro 600: sostituire entrambi i filtri Combi.
4	stop	Lampeggiante/acceso: Si è verificato un problema; vedere "Risoluzione dei problemi.
5	calibration	Pulsante con funzioni diverse; consultare il Complete User manual.
6	purification level I	Acceso: Indicano il livello di depurazione dell'acqua pulita, dal livello inferiore I al livello massimo III.
7	purification level II	
8	purification level III	

## Interno di Pro e parti di ricambio

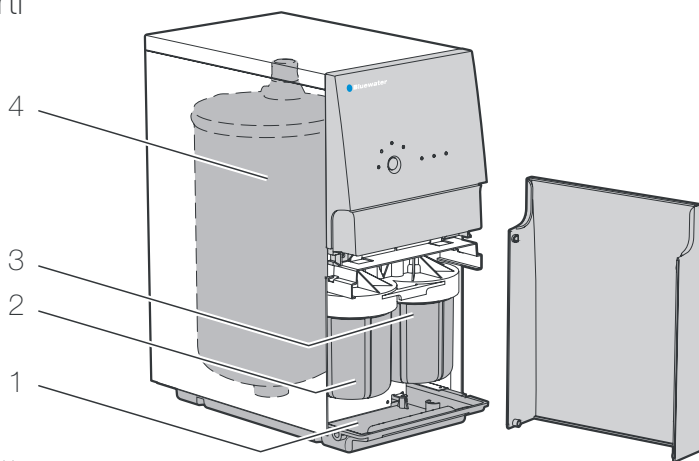


Figure 3. Interno di Pro e parti di ricambio

Pos	Descrizione	Codice art.	Pos	Descrizione	Codice art.
1	Piastra di base		3	Prefiltro II, Pro 600: Blocco di carbone combi	919240005
				Prefiltro II, Pro 400: Filtro carbone, granulato	919240003
2	Prefiltro I, Pro 600: Blocco di carbone combi	919240005	4	Membrana a osmosi inversa	
	Prefiltro I, Pro 400: Filtro per sedimenti	919240002		Kit manutenzione membrana, tipo HR (alta reiezione)	150718900-SP
				Kit manutenzione membrana, tipo HF (alta portata)	150718901-SP

# PANORAMICA DEL SISTEMA

## Descrizione del sistema

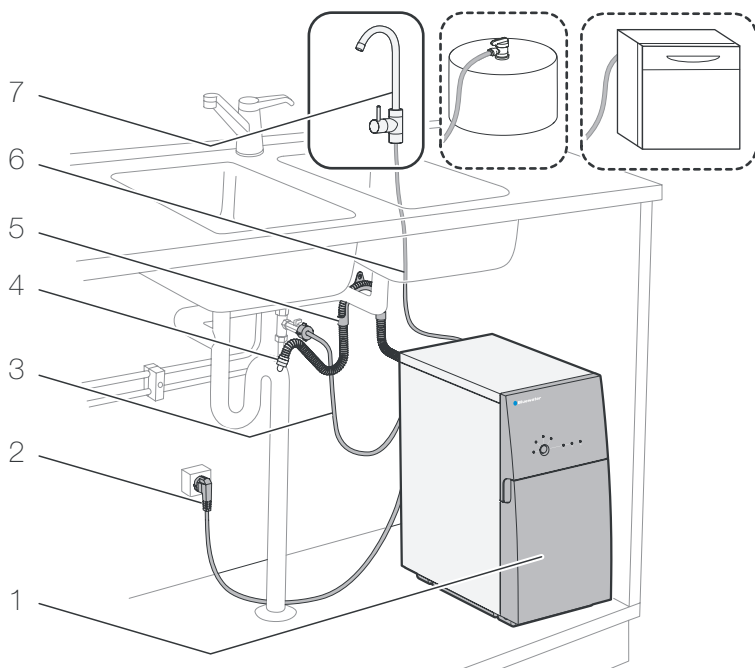


Figure 4. Panoramica del sistema, un esempio d'installazione di Pro

Pos	Descrizione	Pos	Descrizione
1	Depuratore d'acqua	5	Staffa per flessibile acqua di scarico
2	Cavo elettrico	6	Flessibile acqua pulita
3	Flessibile acqua di mandata	7	Rubinetto dell'acqua pulita (optional su serie Pro 400)
4	Tubo dell'acqua di scarico, installato con un'intercapedine d'aria		

## Produzione di acqua



Utilizzare l'acqua pulita solo quando le spie "Purification level II" e "Purification level III" sul pannello di controllo sono accese. Possono essere necessari fino a 60 secondi perché venga indicato che l'acqua è di buona qualità.



Per modelli idonei per uso commerciale, il rubinetto potrebbe essere sostituito da, ad esempio, una valvola o un serbatoio.

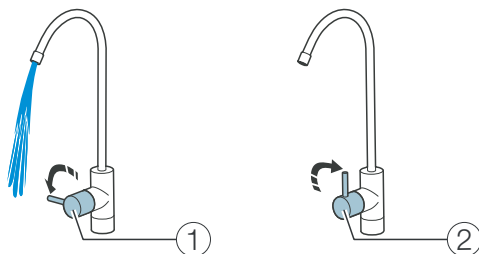


Figure 5. Produzione di acqua ON/OFF

## Lavaggio automatico



La durata del processo di lavaggio è compresa tra 5 e 120 secondi, a seconda della durata dello scarico di acqua precedente.

Si esegue il lavaggio automatico se una delle seguenti condizioni viene soddisfatta:

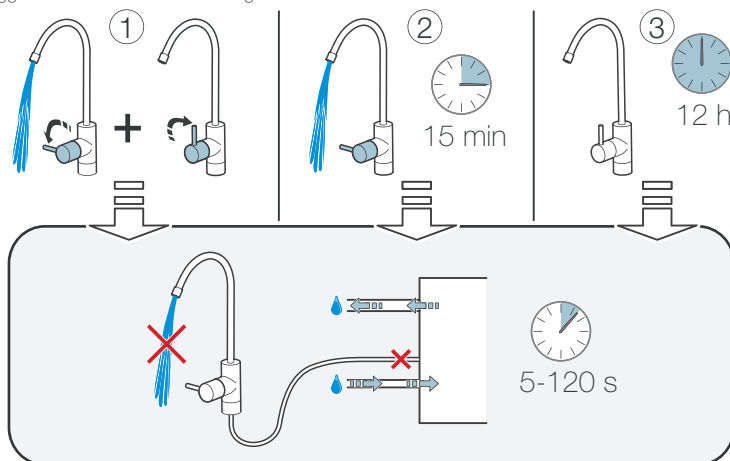


Figure 6. Lavaggio automatico

Pos	Descrizione
1	Lavaggio dopo aver scaricato l'acqua. Ogni volta dopo aver scaricato l'acqua.
2	Lavaggio quando viene scaricata l'acqua. Dopo un funzionamento massimo di 15 minuti (Pro 400B deve essere riavviato manualmente).
3	Depuratore d'acqua in modalità di standby. Pro è collegato all'acqua e all'alimentazione. Il lavaggio viene eseguito ogni 12 ore, indipendentemente da quando è stata prodotta l'ultima acqua pulita.

## Installazione



Pro non deve erogare acqua a tutti i rubinetti presenti nell'abitazione. In caso contrario, si potrebbe causare corrosione delle tubature dell'acqua e dei caloriferi. La garanzia decade nel caso in cui Pro non sia installato correttamente.



L'installazione deve rispettare i codici e le regolamentazioni idrauliche locali vigenti.



Collegare il depuratore solo al raccordo di entrata dell'acqua fredda. L'acqua deve essere di qualità soddisfacente e deve soddisfare i requisiti dell'acqua di mandata.



Per eseguire l'installazione del depuratore, si consiglia di contattare un professionista indicato da un rivenditore autorizzato Bluewater.

Le istruzioni di installazione possono essere reperite nel Complete User manual e su [www.bluewatergroup.com](http://www.bluewatergroup.com).

IT

## Sistema di protezione dell'impianto

Un sensore posizionato sul fondo del depuratore rileva le perdite d'acqua. Nel caso ci sia una perdita, l'erogazione dell'acqua di alimentazione viene interrotta. Il depuratore d'acqua non può essere azionato fino alla completa riparazione della perdita.

## Protezione in caso di bassa pressione



Se Pro si arresta a causa di pressione insufficiente, è necessario innanzitutto eliminare la causa della bassa pressione. In caso contrario, la pompa potrebbe subire danni permanenti.



Se Pro si è arrestato a causa di un problema di bassa pressione (acqua di mandata), è possibile avviare manualmente la produzione dell'acqua premendo il pulsante "calibration".

## Funzione di riavvio in caso di bassa pressione



Disponibile solo in modelli idonei per uso commerciale.

La funzione di riavvio in caso di bassa pressione consente di garantire la massima disponibilità dell'acqua.

Quando si arresta a causa di pressione insufficiente, Pro si riavvia automaticamente. Tenta di riavviarsi per tre volte: dopo 3 minuti, dopo 20 minuti e dopo 4 ore. Se la pressione dell'acqua non è sufficiente dopo i tre tentativi, Pro si arresta.

# MANUTENZIONE

## Manutenzione giornaliera

Controllare le spie di indicazione

Fase	Esecuzione
1	Accertarsi che la spie sul pannello di controllo non siano accese o lampeggianti.

Pulire il depuratore d'acqua



Non utilizzare prodotti chimici per pulire la superficie: alcol, benzina, acidi organici e inorganici e basi forti (come il detergente per piatti concentrato) causano danni alla superficie.



Non utilizzare utensili duri o affilati per pulire il depuratore d'acqua.

Fase	Esecuzione
1	Pulire la superficie esterna con un panno morbido e umido e una soluzione a base di detergente delicato per rimuovere polvere, macchie e sporco.
2	Asciugare con un panno morbido e asciutto.

## Manutenzione regolare



La manutenzione regolare è importante per un funzionamento corretto e a lungo termine dell'apparecchio. Gli interventi di manutenzione possono essere eseguiti solo da personale abilitato e autorizzato.



Per le istruzioni sulla manutenzione, consultare il Complete User manual sul sito [www.bluewatergroup.com](http://www.bluewatergroup.com)

Frequenza	Descrizione
1 mese	Verificare i collegamenti Rimuovere la condensa dalla piastra di base.
4-6 mesi*	Sostituire i filtri. Sostituire i filtri entro 4-6 mesi oppure ogni 37.850 litri d'acqua depurata (corrispondenti a 10.000 gal).
6 mesi*	Eliminare il calcare
1 anno	Testare l'acqua ogni anno. Non bere acqua non pulita. Contattare un rivenditore Bluewater.
4-6 anni*	Sostituire la membrana a osmosi inversa (contattare il rivenditore Bluewater di fiducia.)

\*La frequenza dipende dalla qualità e dall'uso dell'acqua

# INFORMAZIONI TECNICHE

		Dimensioni LxPxH	Peso	Alimentazione	Alimentazione elettrica con messa a terra	Portata d'acqua purificata	Livello di rumorosità
Pro 400B-HR	230V	225x466x460 mm	29 kg	530 W	230V, 50-60 Hz	6.908 litri/giorno (1825 galloni/giorno)	< 60 dB(A)
	120V	8.9x18.3x18.1 "	64 lbs	6 Amp	120V, 60 Hz		
Pro 400C-HF	230V	225x466x460 mm	29 kg	530 W	230V, 50-60 Hz	6.908 litri/giorno (1825 galloni/giorno)	< 60 dB(A)
	120V	8.9x18.3x18.1 "	64 lbs	6 Amp	120V, 60 Hz		
Pro 400C-HR	230V	225x466x460 mm	29 kg	530 W	230V, 50-60 Hz	6.908 litri/giorno (1825 galloni/giorno)	< 60 dB(A)
	120V	8.9x18.3x18.1 "	64 lbs	6 Amp	120V, 60 Hz		
Pro 400BC-HR	230V	225x466x460 mm	29 kg	530 W	230V, 50-60 Hz	6.908 litri/giorno (1825 galloni/giorno)	< 60 dB(A)
	120V	8.9x18.3x18.1 "	64 lbs	6 Amp	120V, 60 Hz		
Pro 400CV-HR	230V	225x466x470 mm	29 kg	530 W	230V, 50-60 Hz	6.908 litri/giorno (1825 galloni/giorno)	< 60 dB(A)
	120V	8.9x18.3x18.5 "	64 lbs	6 Amp	120V, 60 Hz		
Pro 400BCV-HR	230V	225x466x470 mm	29 kg	530 W	230V, 50-60 Hz	6.908 litri/giorno (1825 galloni/giorno)	< 60 dB(A)
	120V	8.9x18.3x18.5 "	64 lbs	6 Amp	120V, 60 Hz		
Pro 600C-HF	230V	225x466x460 mm	29 kg	720 W	230V 50-60 Hz	6.908 litri/giorno (1825 galloni/giorno)	< 60 dB(A)
Pro 600CV-HR	230V	225x466x470 mm	29 kg	720 W	230V 50-60 Hz	6.908 litri/giorno (1825 galloni/giorno)	< 60 dB(A)

IT

## Requisiti dell'acqua di mandata al depuratore

		Temperatura	Pressione del flusso dell'acqua di mandata	Pressione	TDS (Total Dissolved Solids) (ppm)	Conducibilità ( $\mu\text{S/cm}$ , 25 °C (77 °F))	Durezza	Ferro $\text{Fe}^{2+}/\text{Fe}^{3+}$ (mg/l)	Torbidità (FNU)
Pro 400B-HR	230V	2-30 °C	2-10 bar	> 8 l/min	< 7500	< 13 000	< 20 °dH	< 1.5/< 0.3	< 0.5
Pro 400BC-HR	120V	36-86 °F	29-145 psi	> 2.1 gal/min			< 20.9 grains/gal		
Pro 400BCV-HR		230V	2-35 °C	2-10 bar	> 8 l/min	< 1500	< 2000	< 20 °dH	< 1.5/< 0.3
Pro 400C-HF	120V	36-95 °F	29-145 psi	> 2.1 gal/min	< 20.9 grains/gal				
Pro 400C-HR		230V	2-35 °C	2.5-10 bar	> 10 l/min	< 1500	< 2000	< 20 °dH	< 1.0/< 0.3
Pro 400CV-HR	120V	36-95 °F	29-145 psi	> 2.1 gal/min	< 1500	< 2000	< 20 °dH	< 1.0/< 0.3	< 0.5
Pro 600C-HF	230V	2-35 °C	2.5-10 bar	> 10 l/min	< 1500	< 2000	< 20 °dH	< 1.0/< 0.3	< 0.5
Pro 600CV-HR	120V	36-95 °F	29-145 psi	> 2.1 gal/min	< 1500	< 2000	< 20 °dH	< 1.0/< 0.3	< 0.5



Non utilizzare con acqua microbiologicamente non sicura o di dubbia qualità senza un'adeguata disinfezione prima o dopo aver usato l'apparecchio.



Collegare il depuratore solo al raccordo di entrata dell'acqua fredda. I limiti di temperatura sono riportati nella tabella "Requisiti dell'acqua di mandata al depuratore".



Per ulteriori informazioni consultare [www.bluewatergroup.com](http://www.bluewatergroup.com)

Per ulteriori informazioni relative alla certificazione, consultare "Prestazioni del prodotto".

# RISOLUZIONE DEI PROBLEMI

## Come risolvere problemi semplici



Se Pro si arresta in seguito a un'emergenza, scollegarlo dalla rete elettrica e ricollegarlo oppure premere il pulsante "calibration" per resettare l'arresto di emergenza.



Per i problemi più gravi, consultare il Complete User manual sul sito web [www.bluewatergroup.com](http://www.bluewatergroup.com)

Sintomo	Causa	Soluzione
	Il filtro I deve essere sostituito. Pro 600: sostituire entrambi i filtri Combi.	Consultare il Complete User manual
	Il filtro a griglia è bloccato.	Consultare il Complete User manual
	La pressione dell'acqua di alimentazione è troppo bassa.	Accertarsi che la pressione dell'acqua di mandata sia sufficiente. Se necessario, aumentare la pressione.
	Il filtro II deve essere sostituito. Pro 600: sostituire entrambi i filtri Combi.	Consultare il Complete User manual
	La pressione dell'acqua di alimentazione è troppo bassa. Il depuratore d'acqua è in arresto. È in attesa e deve essere riavviato.	Il depuratore d'acqua tenterà di avviarsi automaticamente. Accertarsi che la pressione dell'acqua di mandata sia sufficiente. Se necessario, sostituire i filtri. Consultare il Complete User manual.
		Premere il pulsante "calibration" per avviare il depuratore d'acqua. Rilasciare il pulsante quando la spia "filter I" e la spia "stop" si spengono.
	Il filtro I o II è bloccato.	Accertarsi che non siano presenti ostruzioni del flusso dell'acqua sul filtro. Se necessario, sostituire i filtri. Consultare il Complete User manual.
	La griglia è bloccata.	Consultare il Complete User manual
	Sulla piastra di base si verifica una perdita di acqua o è presente della condensa.	Assicurarsi che i collegamenti siano a tenuta. Piegare in avanti il depuratore d'acqua e asciugare la piastra di base con un panno.
	La pressione dell'acqua di alimentazione è troppo bassa.	Installare una pompa con pressione maggiore per l'acqua di mandata.
		Eseguire un controllo dei componenti che influiscono sulla pressione dell'acqua di mandata (linea dell'acqua, filtro per sedimenti grossolani e prefiltro extra).
	Il depuratore d'acqua è in arresto. La qualità dell'acqua pulita è troppo scarsa.	Nuovo depuratore d'acqua: eseguire una calibrazione; consultare il Complete User manual.
		Depuratore d'acqua usato: scollegarlo dalla rete elettrica e quindi ricollegarlo per avviare il lavaggio automatico. Procedere in questo modo per 2 o 3 volte.
	Calibrazione non eseguita correttamente.	Consultare il Complete User manual



Sintomo	Causa	Soluzione
	Il misuratore della qualità dell'acqua non funziona correttamente.	Scollegare il depuratore d'acqua dalla rete elettrica e quindi ricollegarlo per avviare il lavaggio automatico. Non utilizzare il depuratore d'acqua per 2 ore.
	Il rubinetto è stato acceso per più di 15 minuti. Il depuratore d'acqua è in arresto. (Pro 400B)	Chiudere il rubinetto e attendere almeno 30 minuti. Scollegare il depuratore d'acqua dalla rete elettrica e quindi ricollegarlo per avviare il lavaggio automatico.
La portata del rubinetto dell'acqua pulita è bassa.	Il flessibile dell'acqua pulita è in tensione o ostruito.	Accertarsi che il flessibile dell'acqua pulita possa muoversi liberamente.
	Il depuratore d'acqua deve essere pulito dal calcare.	Consultare il Complete User manual.
Il depuratore d'acqua si avvia e si arresta (avvii rapidi).	La pressione dell'acqua tra il depuratore d'acqua e il rubinetto/la valvola/il serbatoio è inferiore al livello di pressione di avvio.	Verificare i collegamenti.
		Accertarsi che le estremità del flessibile dell'acqua siano circolari e non presentino sbavature.
		Accertarsi che i rubinetti e le valvole siano a tenuta quando vengono chiusi.
Il depuratore d'acqua emette un odore sgradevole.	Crescita microbica nell'acqua dovuta al mancato uso del depuratore per una settimana o più.	Consultare il Complete User manual.

IT

## Prestazioni del prodotto



Il Sigillo d'oro della Water Quality Association prova che il depuratore d'acqua Bluewater è stato collaudato da soggetti indipendenti ed è certificato in base alle norme NSF/ANSI 58 e CSA Standard B483.1. WQA certifica le prestazioni del prodotto e controlla il sito di produzione e le procedure per garantire l'assoluta qualità e integrità del prodotto.

Il depuratore d'acqua di Bluewater è stato testato secondo le norme NSF/ANSI 58 per la riduzione dei TDS (solidi totali disciolti).

- Solidi totali disciolti
- Cromo(+3)
- Piombo
- Arsenico(+5) (noto anche come arsenico pentavalente, (As(+5), As(V) o arseniato).

La concentrazione di TDS nell'acqua in entrata nell'apparecchio è stata ridotta a una concentrazione inferiore o pari al limite ammissibile per l'acqua in uscita dall'apparecchio, come specificato dalle norme NSF/ANSI 58.

Per maggiori dettagli consultare la scheda tecnica su [www.bluewatergroup.com](http://www.bluewatergroup.com).

Nella scheda informativa dell'arsenico, reperibile anche all'indirizzo [www.bluewatergroup.com](http://www.bluewatergroup.com), è possibile trovare informazioni sulle condizioni connesse alla riduzione di efficienza dell'arsenico(+5), nonché sul motivo per il quale altre forme di arsenico non possono essere rimosse con la stessa efficacia.

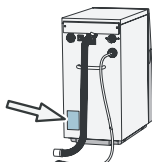
# Inhalt

SICHERHEIT.....	59
Sicherheitsvorschriften.....	59
Sicherheitsinformationen.....	59
PRODUKTÜBERSICHT.....	60
Modelle.....	60
Pro Aussen.....	60
Innenansicht von Pro und Ersatzteile.....	61
SYSTEMÜBERSICHT.....	62
Systembeschreibung.....	62
Reinwassererzeugung.....	63
Montage.....	64
Auslaufschutzsystem.....	64
Niederdruckschutz.....	64
WARTUNG.....	65
Tägliche Wartung.....	65
Regelmäßige Wartung.....	65
TECHNISCHE DATEN.....	66
FEHLERBEHEBUNG.....	67
Lösen einfacher Probleme.....	67
Produktleistung.....	68

## Kundendienst

Konsultieren Sie den Abschnitt „Fehlerbehebung“ zur Lösung kleiner Probleme, bevor Sie den Kundendienst rufen. Wenn Sie eine externe Kundendienstunterstützung benötigen, kann dies mit Kosten verbunden sein. Vergewissern Sie sich, dass Sie die folgenden Daten bereit halten, wenn Sie sich telefonisch mit Bluewater in Verbindung setzen (die Daten finden Sie auf dem Typenschild):

- Modell
- Produktnummer
- Seriennummer



## Umweltinformation



80 % der Wasserreinerkomponenten und die Verpackung sind mit einem Hinweis gekennzeichnet, der Ihnen die Rückführung zur Wiederverwertung bzw. umweltgerechte Entsorgung erleichtert. Der Wassereiniger ist effizienter, wenn er für längere Zeiträume für die Wasseraufbereitung eingesetzt wird. Beispiel: Füllen Sie nicht ein Glas mit Wasser. Füllen Sie stattdessen eine Karaffe mit Wasser.



Mit diesem Symbol gekennzeichnete Geräte müssen bei der dafür vorgesehenen örtlichen Annahmestelle zur Entsorgung von Elektro- und Elektronikgeräten abgegeben werden. Dieses Produkt darf nicht im Hausmüll entsorgt werden.

# SICHERHEIT

## Sicherheitsvorschriften

Lesen Sie die Sicherheitshinweise bitte sorgfältig durch, bevor Sie das Gerät installieren oder bedienen. Halten Sie sich an die in dieser Bedienungsanleitung aufgeführten Anweisungen, um Verletzungen oder Schäden am Gerät zu vermeiden. In der Bedienungsanleitung finden sich die Kennzeichnungen „ACHTUNG“ und „HINWEIS“, die für einen sicheren Betrieb des Gerätes sorgen sollen.



**ACHTUNG** bezieht sich auf Situationen, die Verletzungen oder Schäden am Gerät zur Folge haben können. Halten Sie sich an die Anweisungen und setzen Sie den Betrieb nicht fort, bis alle Probleme behoben wurden.



Ein **HINWEIS** kennzeichnet Informationen, die für eine fehlerfreie und optimale Funktion des Wasserreinigers wichtig sind.

## Sicherheitsinformationen



Verwenden Sie das gereinigte Wasser nur, wenn die Leuchten „Purification level II“ und/oder „Purification level III“ auf dem Bedienfeld leuchten.

Das Gerät darf von Kindern über 8 Jahren verwendet werden. Personen mit eingeschränkter körperlicher, sensorischer oder geistiger Fähigkeiten bzw.



Personen ohne ausreichende Erfahrung und Kenntnis dürfen das Gerät nur unter Aufsicht benutzen oder wenn sie im Vorfeld eine Einweisung in den sicheren Gebrauch des Geräts erhalten haben und die mit der Verwendung verbundenen Gefahren kennen.



Reparieren oder modifizieren Sie den Wasserreiniger nicht. Dies kann zu fehlerhaftem Betrieb und zu Verletzungen und Schäden führen, die von der Garantie nicht abgedeckt sind.



Pro ist ein Umkehrosmose-System. Es enthält eine austauschbare Membran, die sehr wichtig ist, um die vollständig gelösten Feststoffe (TDS) effektiv zu reduzieren. Wechseln Sie diese Membran regelmäßig.



Am Wasserreiniger durchzuführende Instandhaltungs- und Reparaturmaßnahmen dürfen ausschließlich von zugelassenen Bluewater-Mitarbeitern vorgenommen werden. Verwenden Sie immer nur Original-Ersatzkartuschen und -teile von Bluewater. Den Ersatzteilkatalog sowie Kontaktinformationen zum Kauf finden Sie auf [www.bluewatergroup.com](http://www.bluewatergroup.com).



Das zu reinigende Wasser muss die Anforderungen aus dem Abschnitt „Technische Daten“ erfüllen. Prüfen Sie die Wasserqualität, nachdem der Wasserreiniger installiert wurde! Danach einmal pro Jahr prüfen! Trinken Sie das Wasser nicht, wenn es unrein ist bzw. unangenehm riecht.



Die Installation muss die örtlichen Vorschriften und Richtlinien für Wasser- bzw. Sanitäranlagen erfüllen.



Schließen Sie den Wasserreiniger an eine geerdete Stromversorgung (Steckdose) an. Wählen Sie eine Steckdose, die auch nach der Installation leicht zugänglich ist. Ein Festanschluss des Systems darf nur von einer zugelassenen Elektrofachkraft vorgenommen werden. Im System muss ein Sicherheitsschalter installiert sein. Eine falsche Installation kann zu Schäden oder zu Gefahren beim Gebrauch des Wassereinigers führen.



Verwenden Sie das Stromkabel nicht, wenn es sichtbare Anzeichen von Beschädigungen aufweist. Wenn das Stromkabel beschädigt ist, muss es durch einen qualifizierte Elektrofachkraft ersetzt werden, um Gefahren zu vermeiden.



Verwenden Sie den Pro nicht ohne Filter. Anderenfalls kann das Gerät beschädigt werden. Wenn der Pro gereinigt ist bzw. gelagert wird, kann der Filter entfernt werden.



Wenn der Wasserreiniger für länger als fünf Tage vom Wasser- und Stromanschluss getrennt wird, lagern Sie ihn gemäß den Anweisungen im Kapitel „Lagerung“ im „Complete User manual“.

# PRODUKTÜBERSICHT

## Modelle

Modell	Für höheren TDS (Total dissolved solids, dt. Gesamtgehalt an gelösten Feststoffen) geeignet, einschl. Zulauf-Brackwasser	Ohne automatisches Absperrventil für kommerzielle Nutzung geeignet	Reinwasserspülventil für Umgebungen geeignet, in denen eine besonders hohe Wasserqualität erforderlich ist
Pro 400B-HR	✓		
Pro 400C-HF		✓	
Pro 400C-HR		✓	
Pro 400BC-HR	✓	✓	
Pro 400CV-HR		✓	✓
Pro 400BCV-HR	✓	✓	✓
Pro 600C-HF		✓	
Pro 600CV-HR		✓	✓

## Pro Aussen

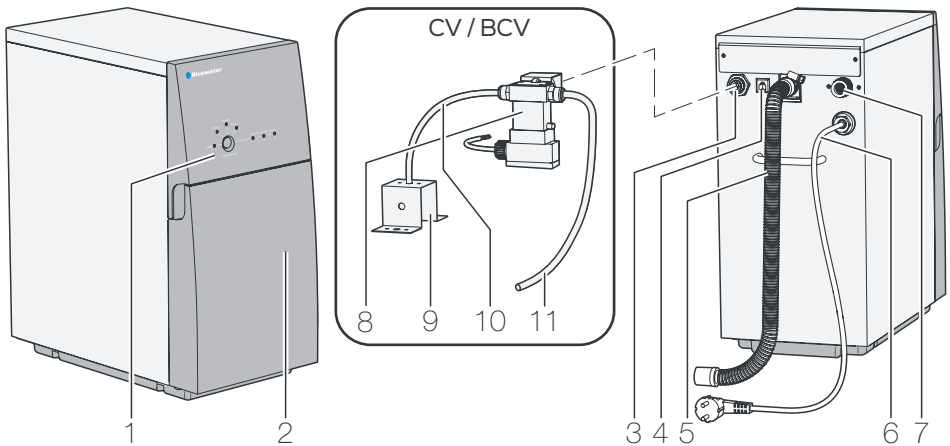


Figure 1. Pro Aussen

Pos	Beschreibung	Pos	Beschreibung
1	Bedienfeld	7	Speisewasseranschluss mit Gittersieb
2	Frontseite	8	Reinwasserspülventil (nur CV-Modelle)
3	Reinwasseranschluss	9	Luftspalt-Halter
4	Stromanschluss für Wasserhahn (optional)	10	Spülwasserleitung
5	Abwasserschlauch	11	Reinwasserleitung
6	Stromkabel		

## Bedienfeld



Informationen zum gleichzeitigen Leuchten/Blinken mehrerer Leuchten siehe Abschnitt „Fehlerbehebung“.

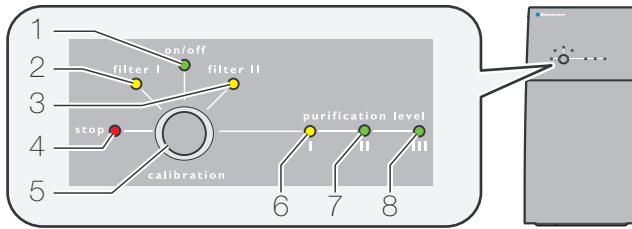


Figure 2. Bedienfeld

Pos	Leuchte/Taste	Beschreibung
1	on/off	An: Der Wasserreiniger hat Strom Aus: Der Wasserreiniger hat keinen Strom
2	filter I	An: Der Filter muss ausgetauscht werden. Pro 600: Wechseln Sie beide Combi-Filter.
3	filter II	An: Der Filter muss ausgetauscht werden. Pro 600: Wechseln Sie beide Combi-Filter.
4	stop	Blinkt/An: Es liegt ein Fehler vor, siehe Abschnitt „Fehlerbehebung“.
5	calibration	Kalibrationstaste, verschiedene Funktionen siehe „Complete User manual“.
6	purification level I	An: Purification level I-III zeigen den jeweiligen Reinheitsgrad des Wassers an. Von niedrigem Reinheitsgrad I bis hohem Reinheitsgrad III
7	purification level II	
8	purification level III	

DE

## Innenansicht von Pro und Ersatzteile

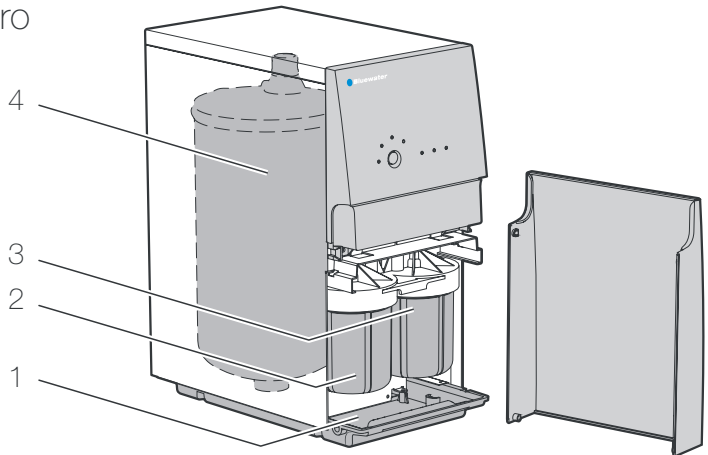


Figure 3. Pro Innen

Pos	Beschreibung	Art.-Nr.	Pos	Beschreibung	Art.-Nr.
1	Bodenplatte		3	Vorfilter II, Pro 600: Combi-Karbonblock	919240005
				Vorfilter II, Pro 400: Karbonfilter, granuliert	919240003
2	Vorfilter I, Pro 600: Combi-Karbonblock	919240005	4	Umkehrosmose-Membran	
	Vorfilter I, Pro 400: Sedimentfilter	919240002		Membran-Servicepaket, Typ HR (High Rejection/ Hohe Abgabe)	150718900-SP
				Membran-Servicepaket, Typ HF (High Flow/Hoher Durchfluss)	150718901-SP

# SYSTEMÜBERSICHT

## Systembeschreibung

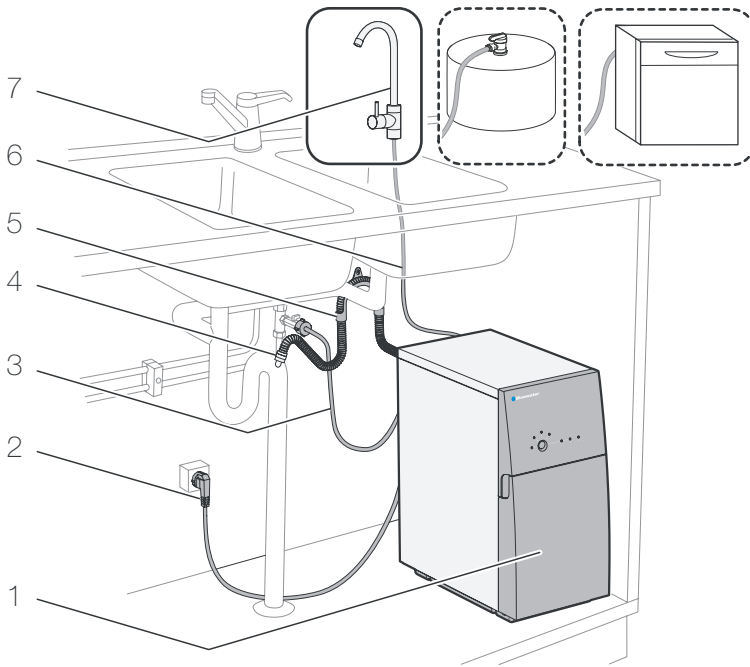


Figure 4. Systemübersicht, Beispiel einer Pro-Installation

Pos	Beschreibung	Pos	Beschreibung
1	Wasserreiniger	5	Halter für Abwasserschlauch
2	Stromkabel	6	Reinwasserschlauch
3	Speisewasserschlauch	7	Reinwasserhahn (optional Pro 400 Serie)
4	Abwasserschlauch, installiert mit Luftspalt		

# Reinwassererzeugung



Verwenden Sie das gereinigte Wasser nur, wenn die Leuchten „Purification level II“ und „Purification level III“ auf dem Bedienfeld leuchten. Es kann bis zu 1 Minute dauern, bis der Wasserreiniger gute Wasserqualität anzeigt.



Bei Modellen für kommerzielle Nutzung kann der Wasserhahn durch zum Beispiel ein Ventil oder einen Tank ersetzt werden.

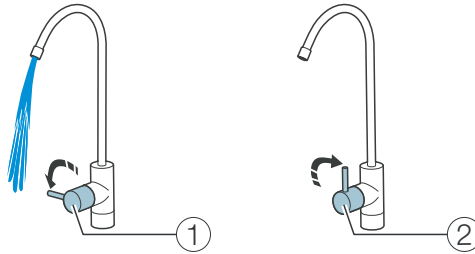


Figure 5. Reinwassererzeugung an/aus

## Automatisches Spülen



Die Dauer des Spülprozesses variiert zwischen 5 und 120 Sekunden, je nachdem, wie lange die vorherige Wasserentnahme gedauert hat.

Wenn eine der folgenden Bedingungen erfüllt ist, wird eine automatische Spülung durchgeführt:

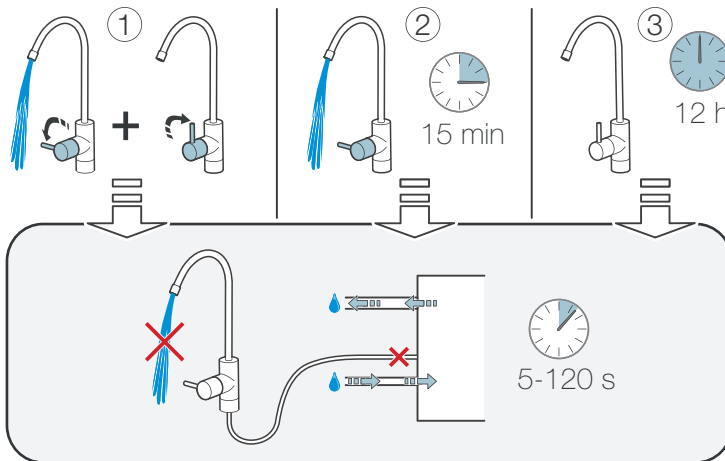


Figure 6. Automatisches Spülen

Pos	Beschreibung
1	Spülen nach Wasserentnahme. Nach jeder Wasserentnahme.
2	Spülen bei Wasserentnahme. Nach einer maximalen Betriebszeit von 15 Minuten (Pro 400B muss manuell neugestartet werden).
3	Wasserreiniger im Ruhezustand (Standby-Modus). Der Pro hat Wasser und Strom. Das Spülen wird alle zwölf Stunden durchgeführt, unabhängig davon, wann zuletzt Reinwasser erzeugt wurde.

# Montage



Der Pro darf nicht für die Wasserversorgung aller Wasserhähne im Haushalt verwendet werden. Dies kann Korrosion in den Wasserrohren und Warmwasserbereitern verursachen.

Dies wird nicht von der Garantie gedeckt, wenn der Pro nicht gemäß seinem ordnungsgemäßen Verwendungszweck montiert wurde.



Die Installation muss die örtlichen Vorschriften und Richtlinien für Wasser- bzw. Sanitär-anlagen erfüllen.



Schließen Sie den Wasserreiniger nur an den Kaltwasserzulauf an. Die Qualität des Wassers muss die Anforderungen an Speisewasser erfüllen.



Wir empfehlen, den Wasserreiniger von einer Fachkraft montieren zu lassen, die von einem autorisierten Bluewater-Händler empfohlen wurde.

Anweisungen zur Installation finden Sie im „Complete User manual“ und auf [www.bluewatergroup.com](http://www.bluewatergroup.com).

## Auslaufschutzsystem

Ein Sensor an der Unterseite des Wasserreinigers zeigt Wasserleckagen an. Wird ein Leck entdeckt, wird die Speisewasserzufuhr unterbrochen. In diesem Fall kann der Wasserreiniger erst wieder gestartet werden, wenn das Leck repariert wurde.

## Niederdruckschutz



Wenn der Pro aufgrund von Niederdruck den Betrieb stoppt, muss die Ursache des Niederdrucks beseitigt werden. Anderenfalls kann die Pumpe dauerhaft beschädigt werden.



Wenn der Pro aufgrund eines Niederdruckproblems (Speisewasser) den Betrieb gestoppt hat, kann die Wassernerzeugung manuell durch Betätigen der Kalibrationstaste gestartet werden.

### Neustartfunktion bei Niederdruck



Nur bei Modellen für kommerzielle Nutzung.

Der Niederdruck-Neustart ist eine Funktion zur Sicherstellung einer maximalen Wasserverfügbarkeit.

Der Pro startet automatisch neu, wenn er aufgrund zu niedrigen Drucks den Betrieb gestoppt hat. Er unternimmt drei

Startversuche: nach 3 Minuten, nach 20 Minuten und nach 4 Stunden. Wenn nach der Wasserdruck dem dritten Versuch immer noch zu niedrig ist, stoppt der Pro den Betrieb.



# WARTUNG

## Tägliche Wartung

Überprüfen Sie die Anzeigeleuchten

Schritt	Maßnahme
1	Stellen Sie sicher, dass die Leuchten des Bedienfelds weder leuchten noch blinken.

Reinigung des Wasserreinigers



Reinigen Sie die Oberfläche niemals mit Chemikalien. Alkohol, Benzin, organische und anorganische Säuren, starke basische Chemikalien (z. B. konzentrierter Geschirreiniger) beschädigen die Oberfläche.

DE



Verwenden Sie zur Reinigung des Wasserreinigers keine harten oder scharfkantigen Werkzeuge.

Schritt	Maßnahme
1	Reinigen Sie die Oberfläche an der Außenseite mit einem weichen, feuchten Lappen und einer milden Seifenlösung, um Staub, Schmutz und Flecken zu entfernen.
2	Wischen Sie das Gerät mit einem trockenen Lappen trocken.

## Regelmäßige Wartung



Eine regelmäßige Wartung ist wichtig, um eine ordnungsgemäße Funktion und eine lange Lebensdauer zu gewährleisten. Die Wartung darf ausschließlich von geschulten und autorisierten Servicetechnikern durchgeführt werden.



Hinweise zur Durchführung von Wartungsarbeiten finden Sie im „Complete User manual“ auf [www.bluewatergroup.com](http://www.bluewatergroup.com).

Häufigkeit	Beschreibung
1 Monat	Überprüfen Sie die Anschlüsse Entfernen Sie Kondenswasser von der Bodenplatte.
4 - 6 Monate*	Wechseln Sie die Filter. Tauschen Sie die Filter nach vier bis sechs Monaten oder 37 850 l (10 000 Gal) gereinigtem Wasser aus, je nachdem, was zuerst eintritt.
6 Monate*	Entkalken
1 Jahr	Überprüfen Sie jedes Jahr die Wasserqualität. Trinken Sie das Wasser nicht, wenn es nicht sauber ist. Setzen Sie sich in dem Fall mit Ihren Bluewater-Händler in Verbindung.
4 - 6 Jahre*	Wechseln Sie die Umkehrosmose-Membran (setzen Sie sich mit Ihren Bluewater-Händler in Verbindung)

\*Häufigkeit hängt von der Wasserqualität und der Verwendung ab

# TECHNISCHE DATEN

		Größe BxTxH	Gewicht	Leistung	Stromversorgung, geerdet	Durchflussrate gereinigtes Wasser	Geräuschpegel
Pro 400B-HR	230V	225x466x460 mm	29 kg	530 W	230V, 50-60 Hz	6908 Liter/Tag (1825 Gal/Tag)	< 60 dB(A)
	120V	8.9x18.3x18.1 "	64 lbs	6 Amp	120V, 60 Hz		
Pro 400C-HF	230V	225x466x460 mm	29 kg	530 W	230V, 50-60 Hz	6908 Liter/Tag (1825 Gal/Tag)	< 60 dB(A)
	120V	8.9x18.3x18.1 "	64 lbs	6 Amp	120V, 60 Hz		
Pro 400C-HR	230V	225x466x460 mm	29 kg	530 W	230V, 50-60 Hz	6908 Liter/Tag (1825 Gal/Tag)	< 60 dB(A)
	120V	8.9x18.3x18.1 "	64 lbs	6 Amp	120V, 60 Hz		
Pro 400BC-HR	230V	225x466x460 mm	29 kg	530 W	230V, 50-60 Hz	6908 Liter/Tag (1825 Gal/Tag)	< 60 dB(A)
	120V	8.9x18.3x18.1 "	64 lbs	6 Amp	120V, 60 Hz		
Pro 400CV-HR	230V	225x466x470 mm	29 kg	530 W	230V, 50-60 Hz	6908 Liter/Tag (1825 Gal/Tag)	< 60 dB(A)
	120V	8.9x18.3x18.5 "	64 lbs	6 Amp	120V, 60 Hz		
Pro 400BCV-HR	230V	225x466x470 mm	29 kg	530 W	230V, 50-60 Hz	6908 Liter/Tag (1825 Gal/Tag)	< 60 dB(A)
	120V	8.9x18.3x18.5 "	64 lbs	6 Amp	120V, 60 Hz		
Pro 600C-HF	230V	225x466x460 mm	29 kg	720 W	230V 50-60 Hz	6908 Liter/Tag (1825 Gal/Tag)	< 60 dB(A)
Pro 600CV-HR	230V	225x466x470 mm	29 kg	720 W	230V 50-60 Hz	6908 Liter/Tag (1825 Gal/Tag)	< 60 dB(A)

## Anforderungen an das Speisewasser für den Wasserreiniger

		Temperatur	Speisewasser Durchflussschuck	Wasserdurchfluss	TDS (Total Dissolved Solids) [ppm]	Leitfähigkeit [ $\mu\text{S}/\text{cm}$ , 25 °C (77 °F)]	Härte	Eisen $\text{Fe}^{2+}/\text{Fe}^{3+}$ [mg/l]	Trübung [FNU]
Pro 400B-HR	230V	2-30 °C	2-10 bar	> 8 l/min	< 7500	< 13 000	< 20 °dH	< 1.5/< 0.3	< 0.5
Pro 400BC-HR Pro 400BCV-HR	120V	36-86 °F	29-145 psi	> 2.1 gal/min			< 20.9 grains/gal		
Pro 400C-HF	230V	2-35 °C	2-10 bar	> 8 l/min	< 1500	< 2000	< 20 °dH	< 1.5/< 0.3	< 0.5
Pro 400C-HR Pro 400CV-HR	120V	36-95 °F	29-145 psi	> 2.1 gal/min			< 20.9 grains/gal		
Pro 600C-HF Pro 600CV-HR	230V	2-35 °C	2.5-10 bar	> 10 l/min	< 1500	< 2000	< 20 °dH	< 1.0/< 0.3	< 0.5



Nicht mit Wasser verwenden, das mikrobiologisch unsicher oder dessen Qualität unbekannt ist, ohne das Wasser vor oder nach dem System zu desinfizieren.



Nur an den Kaltwasserzulauf anschließen. Die Temperaturgrenzwerte finden Sie in der Tabelle „Anforderungen an das Speisewasser für den Wasserreiniger“.



Weitere Detail-Informationen finden Sie auf [www.bluewatergroup.com](http://www.bluewatergroup.com)

Weitere Informationen zu Zertifizierungen finden Sie unter „Produktleistung“.

# FEHLERBEHEBUNG

## Lösen einfacher Probleme



Wenn der Pro aufgrund eines Notfalls den Betrieb stoppt, trennen Sie ihn von der Stromversorgung und schließen ihn wieder an oder betätigen Sie die Kalibrations Taste, um den Notstopp zurückzusetzen.



Unterstützung bei schwerwiegenden Problemen finden Sie im „Complete User manual“ auf [www.bluewatergroup.com](http://www.bluewatergroup.com)

Symptom	Ursache	Lösung
	Filter I muss ausgewechselt werden. Pro 600: Wechseln Sie beide Combi-Filter.	Siehe „Complete User manual“
	Das Gittersieb ist verstopft.	Siehe „Complete User manual“
	Der Speisewasserdruck ist zu niedrig.	Stellen Sie sicher, dass der Speisewasserdruck ausreichend hoch ist. Bei Bedarf den Druck erhöhen.
	Filter II muss ausgewechselt werden. Pro 600: Wechseln Sie beide Combi-Filter.	Siehe „Complete User manual“
	Der Speisewasserdruck ist zu niedrig. Der Wasserreiniger hat den Betrieb gestoppt. Er ist im Wartemodus und muss neugestartet werden.	Der Wasserreiniger versucht, automatisch zu starten. Stellen Sie sicher, dass der Speisewasserdruck ausreichend hoch ist. Wechseln Sie bei Bedarf die Filter. Siehe „Complete User manual“.  Drücken Sie die Kalibrations Taste, um den Wasserreiniger zu starten. Lassen Sie die Taste wieder los, wenn Filter- und Stoppleuchte erlöschen.
	Filter I oder Filter II ist verstopft.	Stellen Sie sicher, dass sich nichts im Filter befindet, das den freien Wasserfluss verhindert. Bei Bedarf die Filter wechseln. Siehe „Complete User manual“.
	Das Gittersieb ist verstopft.	Siehe „Complete User manual“
	Auf der Bodenplatte befindet sich ausgetretenes Wasser bzw. Kondenswasser.	Stellen Sie sicher, dass alle Anschlüsse wasserdicht sind. Kippen Sie den Wasserreiniger leicht nach vorne und trocknen Sie die Bodenplatte mit einem Tuch.
	Der Speisewasserdruck ist zu niedrig.	Installieren Sie eine Pumpe mit höherem Druck für das Speisewasser.  Überprüfen Sie alle Teile, die Einfluss auf den Speisewasserdruck haben (Wasserleitung, Grobfilter, Extra-Vorfilter).
	Der Wasserreiniger hat den Betrieb gestoppt. Die Qualität des Reinwassers ist zu gering geworden.	Neuer Wasserreiniger: Kalibrieren Sie ihn, siehe „Complete User manual“.  Gebrauchter Wasserreiniger: Trennen Sie ihn von der Stromversorgung. Schließen Sie ihn wieder an, um die automatische Spülung zu starten. Wiederholen Sie dies ein bis zwei Mal.
	Kalibration wurde nicht korrekt durchgeführt	Siehe „Complete User manual“

DE

Symptom	Ursache	Lösung
	Messgerät für die Wasserqualität funktioniert nicht ordnungsgemäß.	Trennen Sie den Wasserreiniger von der Stromversorgung. Schließen Sie ihn wieder an, um die automatische Spülung zu starten. Verwenden Sie den Wasserreiniger nicht über einen Zeitraum von zwei Stunden.
	Der Wasserhahn war länger als 15 Minuten geöffnet. Der Wasserreiniger hat den Betrieb gestoppt. (Pro 400B)	Drehen Sie den Hahn zu und warten Sie mindestens 30 Minuten. Trennen Sie den Wasserreiniger von der Stromversorgung. Schließen Sie ihn wieder an, um die automatische Spülung zu starten.
Die Durchflussrate des Reinwasserhahns ist zu niedrig.	Der Reinwasserschlauch ist gespannt oder eingeklemmt. Der Wasserreiniger muss entkalkt werden.	Stellen Sie sicher, dass der Reinwasserschlauch frei beweglich ist. Siehe „Complete User manual“.
Der Wasserreiniger startet und stoppt den Betrieb immer wieder (Kurzstarts).	Der Wasserdruck zwischen Wasserreiniger und Wasserhahn/Ventil/tank liegt unter dem (erforderlichen) Startwasserdruck.	Überprüfen Sie die Anschlüsse. Stellen Sie sicher, dass die Enden des Wasserschlauchs rund sind und keine Grate bzw. Verformungen aufweisen. Stellen Sie sicher, dass alle Wasserhähne und Ventile im geschlossenen Zustand wasserdicht sind.
Der Wasserreiniger riecht unangenehm.	Wachstum von Mikroorganismen, da der Wasserreiniger für eine Woche oder länger nicht benutzt wurde.	Siehe „Complete User manual“.

## Produktleistung



Das Qualitätssiegel WQA Gold Seal ist der Nachweis, dass der Bluewater-Wasserreiniger unabhängig getestet und gemäß NSF/ANSI 58 und CSA Standard B483.1 zertifiziert wurde. WQA zertifiziert die Produktleistung und überprüft die Fertigungsanlagen und -verfahren, um die Einheitlichkeit und Integrität des Produkts sicherzustellen.

Der Wasserreiniger Bluewater Pro wurde gemäß NSF/ANSI 58 auf die Reduzierung der nachfolgend aufgeführten Stoffe getestet:

- TDS
- Chromium (+3)
- Blei
- Arsen (+5) (auch bekannt als fünfwertiges Arsen, As (+5), As (V) oder Arsenat).

Die Konzentration der oben aufgeführten Stoffe im Wasser, das in das System eintritt, wurde auf eine Konzentration verringert, die kleiner oder gleich dem gemäß NSF/ANSI 58 zulässigen Grenzwert für das Wasser gilt, das das System verlässt.

Weitere Details finden Sie im Leistungsdatenblatt auf [www.bluewatergroup.com](http://www.bluewatergroup.com).

Das Arsen-Merkblatt, das auch auf [www.bluewatergroup.com](http://www.bluewatergroup.com) zu finden ist, enthält Informationen zu den mit der Reduzierung der Wirksamkeit von Arsen (+5) zusammenhängenden Bedingungen sowie zu den Gründen, warum andere Arsenformen nicht in dem gleichen Umfang herausgefiltert werden können.

# Spis treści

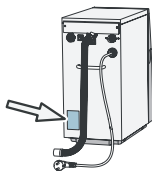
BEZPIECZEŃSTWO.....	70
Instrukcje dotyczące bezpieczeństwa.....	70
Informacje dotyczące bezpieczeństwa.....	70
SCHEMAT PRODUKTU.....	71
Modele.....	71
Pro – widok zewnętrzny.....	71
Pro – widok wewnętrzny i elementy zamienne.....	72
SCHEMAT SYSTEMU.....	73
Opis systemu.....	73
Czyszczenie wody.....	74
Montaż.....	75
System ochrony przed przeciekami.....	75
Ochrona w przypadku niskiego ciśnienia wody.....	75
KONSERWACJA.....	76
Konserwacja codzienna.....	76
Regularna konserwacja.....	76
DANE TECHNICZNE.....	77
ROZWIĄZYWANIE PROBLEMÓW.....	78
Rozwiązywanie prostych problemów.....	78
Efektywność produktu.....	79

## Serwis

Przed wezwaniem serwisu patrz sekcja „Rozwiązywanie problemów”, aby rozwiązać drobne problemy. Jeśli potrzebujesz wsparcia zewnętrznego serwisu, może to kosztować.

Przed rozmową z Bluewater upewnij się, że masz dostępne następujące dane (znajdujące się na tabliczce znamionowej umieszczonej za filtrem):

- Model
- Numer produktu
- Numer seryjny



## Informacje dotyczące środowiska naturalnego



80% elementów urządzenia do oczyszczania wody oraz jego opakowania posiada etykietę informującą o sposobie recyklingu oraz wyrzucania. Urządzenie do oczyszczania wody jest bardziej skuteczne, jeżeli oczyszcza wodę przed dłuższy czas. Przykład: nie napełniaj szklanki wodą. Zamiast tego napełnij cały dzbanek.



Urządzenia noszące ten symbol musi być oddane w wyznaczonym punkcie odbioru sprzętu elektrycznego i elektronicznego do utylizacji.

Produkt ten nie może być wyrzucany razem ze zwykłymi odpadami domowymi.

# BEZPIECZEŃSTWO

## Instrukcje dotyczące bezpieczeństwa

z którymi należy zapoznać się przed montażem i obsługą urządzenia. Aby zapobiec urazom lub uszkodzeniu urządzenia, należy przestrzegać wytycznych podanych w niniejszej instrukcji. Niniejsza instrukcja zawiera PRZESTROGI i UWAGI dotyczące bezpiecznej obsługi urządzenia.



**PRZESTROGA** oznacza warunki, które mogą spowodować wypadki lub uszkodzenie sprzętu. Należy przestrzegać instrukcji i kontynuować działania dopiero po spełnieniu odpowiednich warunków.



**Uwaga** oznacza ważne informacje umożliwiające bezproblemową i optymalną pracę urządzenia do oczyszczania wody.

## Informacje dotyczące bezpieczeństwa



Oczyszczona woda nadaje się do użycia dopiero gdy na panelu kontrolnym włączy się kontrolka „Purification level” II i/lub III.



Urządzenie może być używane przez dzieci powyżej 8 roku życia. Urządzenie może być również używane przez osoby o ograniczonej sprawności fizycznej, zmysłowej i umysłowej oraz nieposiadające odpowiedniego nadzoru lub instrukcji bezpiecznej obsługi oraz pod warunkiem, że rozumieją związane z tym ryzyko.



Pro jest systemem odwróconej osmozy. Zawiera wymienną membranę, która ma znaczenie w skutecznym obniżeniu całkowitej ilości substancji stałych (TDS). Membranę należy regularnie wymieniać.



Serwis i naprawa urządzenia do oczyszczania wody mogą być przeprowadzane wyłącznie przez upoważniony personel Bluewater. Należy używać wyłącznie oryginalnych wkładów i części zamiennych firmy Bluewater. Katalog części zamiennych oraz informacje dotyczące zakupu znajdują się na stronie internetowej [www.bluewatergroup.com](http://www.bluewatergroup.com).



Serwis i naprawa urządzenia do oczyszczania wody mogą być przeprowadzane wyłącznie przez upoważniony personel Bluewater. Należy używać wyłącznie oryginalnych wkładów i części zamiennych firmy Bluewater.



Woda przeznaczona do oczyszczania musi spełniać wymagania podane w rozdziale „Dane techniczne”. Przetestować wodę po zainstalowaniu urządzenia do oczyszczania, a następnie robić to raz w roku. Jeżeli woda nie jest czysta, pachnie lub smakuje źle – nie wolno jej pić.



Muszą być spełnione obowiązujące przepisy i regulacje dotyczące instalacji wodociągowej.



Urządzenie oczyszczające wodę należy podłączyć do uziemionego źródła zasilania elektrycznego. Należy użyć wtyczki, która po instalacji będzie łatwo dostępna. Okablowanie stale może wykonywać tylko uprawniony elektryk. W systemie należy zainstalować bezpiecznik. Nieprawidłowa instalacja może prowadzić do powstania uszkodzeń lub niebezpieczeństwa użytkownika.



Nie wolno używać przewodu zasilającego, jeżeli są na nim widoczne oznaki uszkodzenia. Jeżeli przewód zasilający jest uszkodzony, musi zostać wymieniony przez wykwalifikowanego elektryka.



Nie należy używać urządzenia Pro bez filtra. Może to spowodować uszkodzenia. Filtr można wyjąć na czas czyszczenia i przechowywania urządzenia Pro.



Jeżeli urządzenie do oczyszczania wody będzie odłączone od wody i prądu przez więcej niż 5 dni, należy je odłożyć do przechowywania zgodnie z opisem znajdującym się w pełnej instrukcji obsługi w rozdziale „Przechowywanie”.

# SCHEMAT PRODUKTU

## Modele

Model	Oczyszczanie wody z większą zawartością rozpuszczanych ciał stałych, włącznie z wodą słonawą	Użytek komercyjny bez funkcji automatycznego wyłączania	Zawór płukania wody czystej do stosowania w otoczeniu, w którym wymagana jest woda o wyjątkowo wysokiej jakości
Pro 400B-HR	✓		
Pro 400C-HF		✓	
Pro 400C-HR		✓	
Pro 400BC-HR	✓	✓	
Pro 400CV-HR		✓	✓
Pro 400BCV-HR	✓	✓	✓
Pro 600C-HF		✓	
Pro 600CV-HR		✓	✓

PL

## Pro – widok zewnętrzny

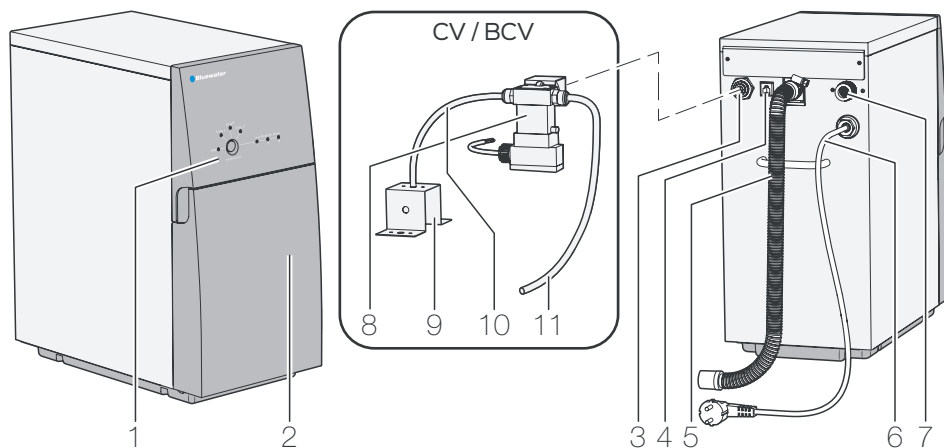


Figure 1. Pro – widok zewnętrzny

Poz.	Opis	Poz.	Opis
1	Panel kontrolny	7	Przyłącze wody zasilającej z filtrem siatkowym
2	Pokrywa przednia	8	Zawór płukania wody czystej (modele CV)
3	Przyłącze wody czystej	9	Szczelina powietrzna
4	Złącze elektryczne dla kranu (opcjonalne)	10	Rura wody do płukania
5	Wąż spustowy	11	Rura czystej wody
6	Przewód zasilania		

## Panel kontrolny



Informacje na temat kombinacji migających/włączonych kontrolki znajdują się w rozdziale „Rozwiązywanie problemów”.

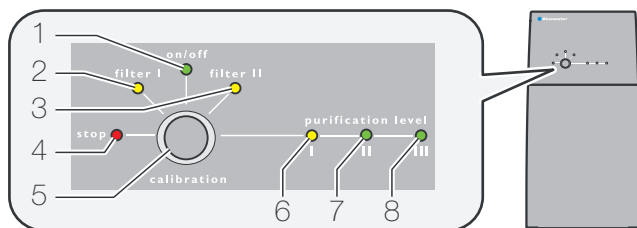


Figure 2. Panel kontrolny

Poz.	Kontrolka/przycisk	Opis
1	on/off	Wł.: Urządzenie do oczyszczania wody jest podłączone do zasilania. Wył.: Urządzenie do oczyszczania wody nie jest podłączone do zasilania.
2	filter I	Wł.: Filtr musi zostać wymieniony. Pro 600: Wymienić oba filtry Combi.
3	filter II	Wł.: Filtr musi zostać wymieniony. Pro 600: Wymienić oba filtry Combi.
4	stop	Miga/wł.: Pojawił się problem, patrz „Rozwiązywanie problemów”.
5	calibration	Przycisk kalibrowania posiadający różne funkcje, patrz pełna instrukcja obsługi.
6	purification level I	Wł.: Kontrolki „Purification level” I-III wskazują poziom oczyszczenia wody. I to poziom niski, natomiast III – wysoki
7	purification level II	
8	purification level III	

## Pro – widok wewnętrzny i elementy zamienne

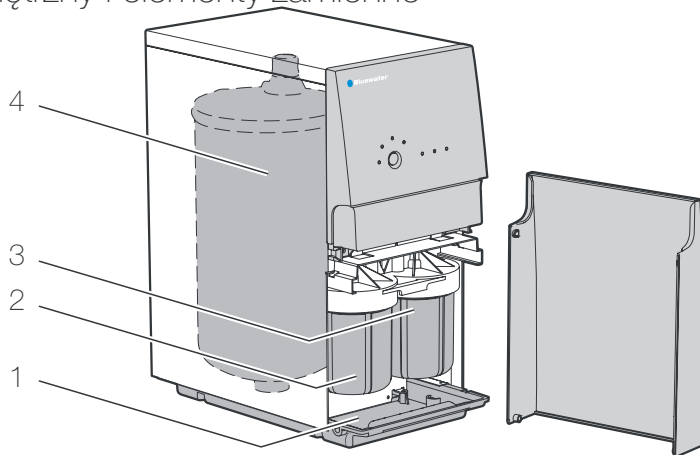


Figure 3. Pro – widok wewnętrzny

Poz.	Opis	Nr artykułu	Poz.	Opis	Nr artykułu
1	Płyta podstawy		3	Filtr wstępny II, Pro 600: Filtr węglowy Combi	919240005
				Filtr wstępny II, Pro 400: Filtr węglowy, granulkowy	919240003
2	Filtr wstępny I, Pro 600: Filtr węglowy Combi	919240005	4	Membrana do odwróconej osmozy	
	Filtr wstępny I, Pro 400: Filtr sedymentacyjny	919240002		Zestaw serwisowy membrany, typ HR (wysoki wskaźnik nieprzepuszczalności)	150718900-SP
				Zestaw serwisowy membrany, typ HF (szybki przepływ)	150718901-SP



# SCHEMAT SYSTEMU

## Opis systemu

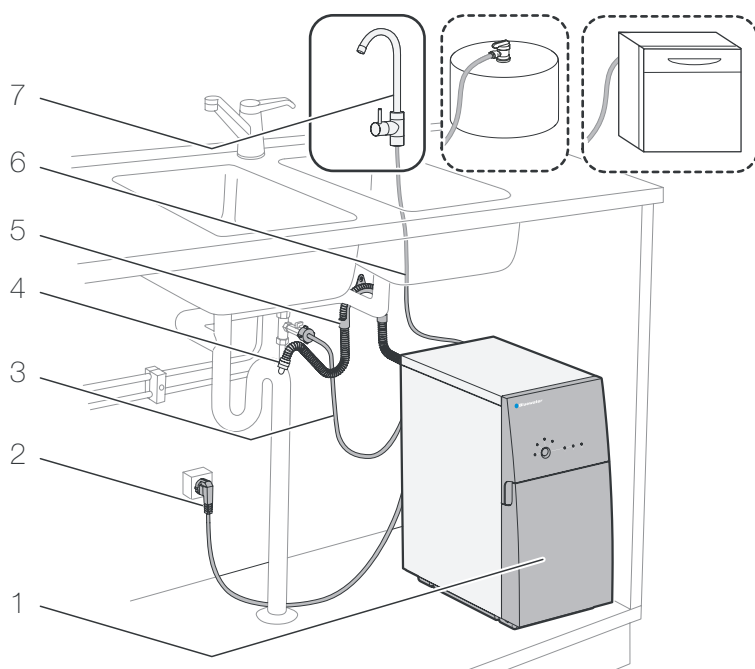


Figure 4. Przegląd systemu, przykład instalacji Pro

Poz.	Opis	Poz.	Opis
1	Urządzenie do oczyszczania wody	5	Uchwyt dla węża spustowego
2	Przewód zasilania	6	Wąż wody czystej
3	Wąż wody zasilającej	7	Kran czystej wody (opcjonalny dla serii Pro 400)
4	Wąż spustowy, zamontowany ze szczelnią powietrzną		

## Czyszczenie wody



Oczyszczona woda nadaje się do użycia dopiero gdy zaświecą się kontrolki „Purification level” II i III na panelu kontrolnym. Zanim urządzenie do oczyszczania wody wskaże dobrą jakość wody może minąć do 60 sekund.



W modelach przeznaczonych do użytku komercyjnego kran można zastąpić na przykład zaworem lub zbiornikiem.

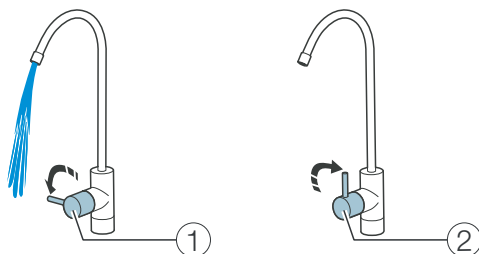


Figure 5. Wł./wył. czyszczenia wody

## Automatyczne przepłukiwanie



Czas trwania procesu przepłukiwania różni się i wynosi od 5 do 120 sekund, w zależności od czasu trwania wcześniejszego poboru wody.

Automatyczne przepłukiwanie zostanie wykonane, jeżeli spełniony będzie jeden z poniższych warunków:

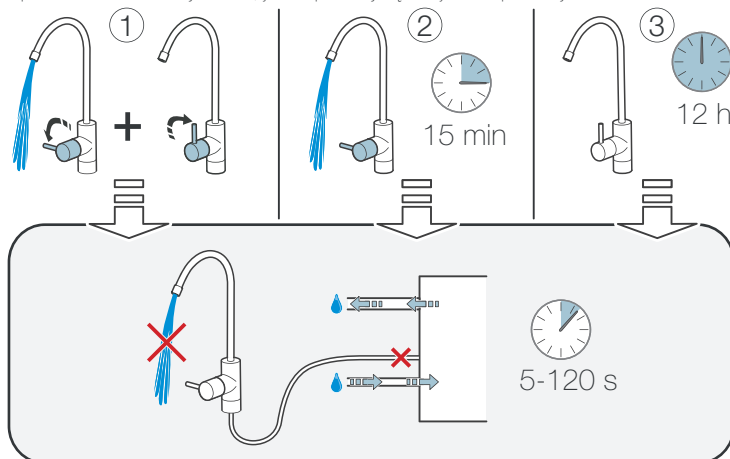


Figure 6. Automatyczne przepłukiwanie

Poz.	Opis
1	Przepłukiwanie po pobieraniu wody. Za każdym razem po pobraniu wody.
2	Przepłukiwanie w czasie pobierania wody. Po maksymalnie 15 minutach pracy (urządzenie Pro 400B musi zostać ponownie uruchomione ręcznie).
3	Urządzenie do oczyszczania wody w trybie gotowości. Urządzenie Pro jest podłączone do źródła wody i zasilania. Przepłukiwanie jest przeprowadzane co 12 godzin bez względu na to, kiedy miało miejsce ostatnie oczyszczenie wody.

# Montaż



Urządzenie Pro nie może dostarczać wody do wszystkich kranów w domu. Może to spowodować korozję w instalacji wodnej i podgrzewaczach wody. Jeśli urządzenie Pro nie zostało zainstalowane poprawnie, nie będzie ono objęte gwarancją.



Muszą być spełnione obowiązujące przepisy i regulacje dotyczące instalacji wodociągowej.



Podłączać urządzenie do oczyszczania wody tylko do dopływu zimnej wody zasilającej. Woda musi być odpowiedniej jakości i musi spełniać wymagania dotyczące wody zasilającej.



Zalecamy montaż urządzenia do oczyszczania wody przez specjalistę rekomendowanego przez autoryzowanego dystrybutora Bluewater. Instrukcje dotyczące instalacji można znaleźć w pełnej instrukcji obsługi na stronie [www.bluewatergroup.com](http://www.bluewatergroup.com).

PL

## System ochrony przed przeciekami

Czujnik umieszczony w dolnej części urządzenia wykrywa wycieki wody. W przypadku wycieku dopływ wody zasilającej jest zatrzymywany. Do czasu wyeliminowania wycieku nie można uruchomić urządzenia.

## Ochrona w przypadku niskiego ciśnienia wody



Jeśli urządzenie Pro wyłączy się z powodu niskiego ciśnienia wody, należy usunąć przyczynę takiego stanu. W przeciwnym razie może dojść do trwałego uszkodzenia pompy.



Jeśli urządzenie Pro wstrzymało pracę z powodu niskiego ciśnienia (wody zasilającej), można wznowić jego pracę ręcznie, naciskając przycisk „calibration”.

## Funkcja ponownego uruchomienia w przypadku niskiego ciśnienia wody



Dostępna tylko w modelach do użytku komercyjnego.

Zadaniem funkcji ponownego uruchomienia w przypadku niskiego ciśnienia wody jest zapewnienie maksymalnej dostępności wody.

Urządzenie Pro włącza się automatycznie po zatrzymaniu pracy z powodu niskiego ciśnienia wody. Urządzenie podejmuje trzy próby wznowienia pracy: po 3 minutach, po 20 minutach i po 4 godzinach. Jeśli po trzech próbach ciśnienie wody nadal nie jest dostatecznie wysokie, urządzenie Pro wyłączy się.

# KONSERWACJA

## Konserwacja codzienna

### Sprawdzić kontrolki

Krok	Czynność
1	Upewnić się, że kontrolki na panelu kontrolnym nie są włączone ani nie migają.

### Czyszczenie urządzenia



Nie używać środków chemicznych do czyszczenia powierzchni. Alkohol, benzyna, kwasy organiczne i nieorganiczne oraz substancje chemiczne o odczynie silnie zasadowym (takie jak skoncentrowany detergent do mycia naczyń) mogą spowodować uszkodzenie powierzchni.



Nie używać twardych lub ostrych narzędzi do czyszczenia urządzenia.

Krok	Czynność
1	Wyczyścić zewnętrzną powierzchnię miękką, wilgotną ściereczką nasączoną słabym roztworem mydła w celu usunięcia kurzu, zanieczyszczeń i brudu.
2	Wytrzeć do sucha miękką, suchą ściereczką.

## Regularna konserwacja



Regularna konserwacja pozwala na prawidłowe działanie i długotrwałą eksploatację urządzenia. Czynności konserwacyjne może przeprowadzać wyłącznie przeszkolony i upoważniony personel.



Instrukcje dotyczące konserwacji można znaleźć w pełnej instrukcji obsługi na stronie [www.bluewatergroup.com](http://www.bluewatergroup.com)

Częstotliwość	Opis
Co 1 miesiąc	Sprawdzić połączenia Wytrzeć kondensat z płyty podstawy.
Co 4-6 miesięcy*	Wymienić filtry. Filtry należy wymienić po 4-6 miesiącach lub 37 850 l (10 000 gal) oczyszczonej wody.
Co 6 miesięcy*	Usunąć kamień
Co rok	Sprawdzać wodę każdego roku. Jeżeli woda nie jest czysta, nie wolno jej pić. Skontaktować się z dystrybutorem Bluewater.
Co 4-6 lat*	Wymienić membranę odwróconej osmozy (skontaktować się z dystrybutorem Bluewater)

\*Częstotliwość zależy od jakości wody oraz częstotliwości użytkowania.

# DANE TECHNICZNE

		Wymiary szer. x wys. x gł.	Masa	Moc	Zasilanie elektryczne, uziemione	Przepływ oczyszczonej wody	Poziom hałas
Pro 400B-HR	230V	225x466x460 mm	29 kg	530 W	230V, 50-60 Hz	6908 l/dzień (1825 gal)/dzień	< 60 dB(A)
	120V	8.9x18.3x18.1 "	64 lbs	6 Amp	120V, 60 Hz		
Pro 400C-HF	230V	225x466x460 mm	29 kg	530 W	230V, 50-60 Hz	6908 l/dzień (1825 gal)/dzień	< 60 dB(A)
	120V	8.9x18.3x18.1 "	64 lbs	6 Amp	120V, 60 Hz		
Pro 400C-HR	230V	225x466x460 mm	29 kg	530 W	230V, 50-60 Hz	6908 l/dzień (1825 gal)/dzień	< 60 dB(A)
	120V	8.9x18.3x18.1 "	64 lbs	6 Amp	120V, 60 Hz		
Pro 400BC-HR	230V	225x466x460 mm	29 kg	530 W	230V, 50-60 Hz	6908 l/dzień (1825 gal)/dzień	< 60 dB(A)
	120V	8.9x18.3x18.1 "	64 lbs	6 Amp	120V, 60 Hz		
Pro 400CV-HR	230V	225x466x470 mm	29 kg	530 W	230V, 50-60 Hz	6908 l/dzień (1825 gal)/dzień	< 60 dB(A)
	120V	8.9x18.3x18.5 "	64 lbs	6 Amp	120V, 60 Hz		
Pro 400BCV-HR	230V	225x466x470 mm	29 kg	530 W	230V, 50-60 Hz	6908 l/dzień (1825 gal)/dzień	< 60 dB(A)
	120V	8.9x18.3x18.5 "	64 lbs	6 Amp	120V, 60 Hz		
Pro 600C-HF	230V	225x466x460 mm	29 kg	720 W	230V 50-60 Hz	6908 l/dzień (1825 gal)/dzień	< 60 dB(A)
Pro 600CV-HR	230V	225x466x470 mm	29 kg	720 W	230V 50-60 Hz	6908 l/dzień (1825 gal)/dzień	< 60 dB(A)

PL

## Wymagania dotyczące wody zasilającej

		Temperatura	Cisnienie wody zasilającej	Przepływ wody	TDS (Total Dissolved Solids) [ppm]	Przewodność [ $\mu$ S/cm, 25 °C (77 °F)]	Twardość	Żelazo Fe <sup>2+</sup> /Fe <sup>3+</sup> [mg/l]	Miętność [FNU]
Pro 400B-HR	230V	2-30 °C	2-10 bar	> 8 l/min	< 7500	< 13 000	< 20 °dH	< 1.5/< 0.3	< 0.5
Pro 400BC-HR	120V	36-86 °F	29-145 psi	> 2.1 gal/min					
Pro 400BCV-HR		230V	2-35 °C	2-10 bar	> 8 l/min	< 1500	< 2000	< 20 °dH	< 1.5/< 0.3
Pro 400C-HF	120V	36-95 °F	29-145 psi	> 2.1 gal/min					
Pro 400C-HR		230V	2-35 °C	2.5-10 bar	> 10 l/min	< 1500	< 2000	< 20 °dH	< 1.0/< 0.3
Pro 400CV-HR	120V	36-95 °F	29-145 psi	> 2.1 gal/min					
Pro 600C-HF	230V	2-35 °C	2.5-10 bar	> 10 l/min	< 1500	< 2000	< 20 °dH	< 1.0/< 0.3	< 0.5
Pro 600CV-HR	120V	36-95 °F	29-145 psi	> 2.1 gal/min	< 1500	< 2000	< 20 °dH	< 1.0/< 0.3	< 0.5



Nie stosować do wody, która jest zanieczyszczona mikrobiologicznie lub jej jakość jest nieznana bez wystarczającego odkażenia przed lub po zastosowaniu systemu.



Podłączać tylko do dopływu zimnej wody zasilającej. Wartości graniczne temperatury znajdują się w tabeli „Wymagania dotyczące wody zasilającej do urządzenia oczyszczającego wodę”.



Bardziej szczegółowe informacje można znaleźć na stronie [www.bluewatergroup.com](http://www.bluewatergroup.com)

Więcej informacji o certyfikatach znajduje się w rozdziale „Efektywność produktu”.

# ROZWIĄZYWANIE PROBLEMÓW

## Rozwiązywanie prostych problemów



Jeśli urządzenie Pro zatrzyma się z powodu wystąpienia sytuacji awaryjnej, należy odłączyć je od źródła zasilania i podłączyć ponownie lub nacisnąć przycisk „calibration”, aby zresetować awaryjne zatrzymanie pracy urządzenia.



W przypadku poważniejszych problemów należy zapoznać się z pełną instrukcją obsługi na stronie [www.bluewatergroup.com](http://www.bluewatergroup.com)

Objawy	Przyczyna	Rozwiązanie
	Filtr I musi zostać wymieniony. Pro 600: Wymienić oba filtry Combi.	Patrz pełna instrukcja obsługi
	Kratka jest zapchana.	Patrz pełna instrukcja obsługi
	Ciśnienie wody zasilającej jest zbyt niskie.	Upewnij się, że ciśnienie wody zasilającej jest wystarczające. Jeśli to konieczne, zwiększyć ciśnienie.
	Filtr II musi zostać wymieniony. Pro 600: Wymienić oba filtry Combi.	Patrz pełna instrukcja obsługi
	Ciśnienie wody zasilającej jest zbyt niskie. Urządzenie zatrzymało się. Znajduje się w stanie oczekiwania i musi zostać ponownie uruchomione.	Urządzenie do oczyszczania wody spróbuje uruchomić się automatycznie. Należy upewnić się, że ciśnienie wody zasilającej jest wystarczające. W razie konieczności wymienić filtry. Patrz pełna instrukcja obsługi.  Nacisnąć przycisk „calibration”, aby urządzenie do oczyszczania wody rozpoczęło pracę. Zwolnić przycisk, gdy kontrolki „filtr I” oraz „stop” zgasną.
	Filtr I lub filtr II zablokowany.	Upewnij się, że w filtrze nie znajduje się nic, co mogłoby zablokować przepływ wody. Jeżeli to konieczne wymienić filtry. Patrz pełna instrukcja obsługi.
	Kratka jest zapchana.	Patrz pełna instrukcja obsługi
	Urządzenie przecieka lub na płycie podstawy zbiera się kondensat.	Upewnij się, że wszystkie połączenia są szczelne. Przechylić urządzenie do przodu i ściereczką wytrzeć płytę podstawy do sucha.
	Ciśnienie wody zasilającej jest zbyt niskie.	Zamontować pompę wody zasilającej o zwiększonym ciśnieniu.  Sprawdzić części, które mogą mieć wpływ na ciśnienie wody zasilającej (instalacja wodna, filtr wstępny, dodatkowy filtr wstępnego oczyszczania).
	Urządzenie zatrzymało się. Jakość wody oczyszczonej za bardzo się pogorszyła.	Nowe urządzenie do oczyszczania wody: konieczna kalibracja, patrz pełna instrukcja obsługi.  Używane urządzenie do oczyszczania wody: Odłączyć od zasilania. Podłączyć ponownie, aby rozpocząć automatyczne przepłukiwanie. Powtórzyć proces 2 lub 3 razy.
	Źle przeprowadzona kalibracja.	Patrz pełna instrukcja obsługi

Objawy	Przyczyna	Rozwiązanie
	Miernik jakości wody nie działa prawidłowo.	Odlączyć urządzenie do oczyszczania wody od zasilania. Podłączyć ponownie, aby rozpocząć automatyczne przepłukiwanie. Nie używać urządzenia do oczyszczania wody przez 2 godziny.
	Kran jest odkręcony od ponad 15 minut. Urządzenie zatrzymało się. (Pro 400B)	Zakręcić kran i odczekać przynajmniej 30 minut. Odlączyć urządzenie do oczyszczania wody od zasilania. Podłączyć ponownie, aby rozpocząć automatyczne przepłukiwanie.
Przepływ wody przez kran do wody czystej jest niski.	Wąż wody czystej jest naprężony lub przygnieciony.	Należy upewnić się, że wąż wody czystej może poruszać się swobodnie.
	Urządzenie musi zostać odkamienione.	Patrz pełna instrukcja obsługi.
Urządzenie do oczyszczania wody uruchamia się i po krótkim czasie znów zatrzymuje.	Ciśnienie wody pomiędzy urządzeniem do oczyszczania wody a kranem/zaworem/zbiornikiem spadło poniżej początkowego poziomu.	Sprawdzić połączenia.
		Upewnić się, że oba końce węża wody są okrągłe i nie mają zadziorów. Upewnić się, że zakręcone kran i zamknięte zawory są szczelne.
Z urządzenia dochodzi nieprzyjemny zapach.	W wodzie nastąpił wzrost drobnoustrojów, ponieważ urządzenie nie było używane przez tydzień lub dłużej.	Patrz pełna instrukcja obsługi.

PL

## Efektywność produktu



Złota Pieczęć Stowarzyszenia WQA jest dowodem na to, że urządzenie do oczyszczania wody Bluewater zostało poddane niezależnym testom i posiada certyfikat zgodności z normami NSF/ANSI 58 oraz CSA Standard B483.1. Stowarzyszenie WQA certyfikuje efektywność produktu oraz ocenia miejsce produkcji i procedury, aby zapewnić spójność i integralność produktów.

Urządzenie do oczyszczania wody Bluewater Pro zostało poddane testom według normy NSF/ANSI 58 pod kątem obniżenia całkowitej ilości poniższych substancji:

- TDS
- Chrom(+3)
- Ołów
- Arsen(+5) (określany także jako arsen pięciowartościowy, As(+5), As(V) lub arsenian).

Stężenie wymienionych substancji w wodzie wprowadzanej do systemu zostało obniżone do mniejszego lub równego dopuszczalnej granicy dla wody opuszczającej system, zgodnie z normą NSF/ANSI 58.

Arkusz danych dotyczących efektywności znajduje się na stronie internetowej [www.bluewatergroup.com](http://www.bluewatergroup.com).

Arkusz informacyjny na temat arsenu, dostępny także na stronie internetowej [www.bluewatergroup.com](http://www.bluewatergroup.com), zawiera informacje o warunkach związanych z efektywnością obniżania ilości arsenu(+5) oraz objaśnienie, dlaczego inne formy arsenu nie mogą być usuwane w takim samym zakresie.

# Содержание

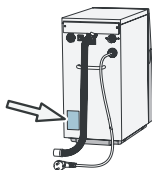
БЕЗОПАСНОСТЬ .....	81
Инструкции по технике безопасности.....	81
Информация по технике безопасности .....	81
ОБЩЕЕ ОПИСАНИЕ ИЗДЕЛИЯ.....	82
Модели .....	82
Внешний вид Pro .....	82
Внутренние и запасные компоненты системы Pro.....	83
ОБЗОР СИСТЕМЫ .....	84
Описание системы .....	84
Водоподготовка.....	85
Установка.....	86
Система защиты от утечки воды .....	86
Защита от снижения давления .....	86
ТЕХНИЧЕСКОЕ ОБСЛУЖИВАНИЕ.....	87
Ежедневное обслуживание .....	87
Регулярное техническое обслуживание.....	87
ТЕХНИЧЕСКАЯ ИНФОРМАЦИЯ.....	88
УСТРАНЕНИЕ НЕИСПРАВНОСТЕЙ .....	89
Решение простых проблем.....	89
Решение простых проблем.....	90

## Отдел обслуживания клиентов

См. «Устранение неисправностей» для устранения мелких неисправностей, прежде чем обращаться за технической поддержкой. Внешняя техническая поддержка может быть платной.

Прежде чем обращаться в компанию Bluewater, подготовьте следующие данные (см. паспортную табличку):

- Модель
- Номер изделия
- Серийный номер



## Информация по охране окружающей среды



80% компонентов очистителя воды и его упаковка снабжены этикетками с рекомендациями по их надлежащей утилизации. Очиститель воды работает более эффективно, если он очищает воду в течение более длительного периода. Пример: не наполняйте водой стакан. Вместо стакана используйте кувшин.



Устройства, имеющие данную маркировку, подлежат утилизации через местные специализированные приемные пункты утилизации электрического и электронного оборудования. Запрещается утилизация данного изделия вместе с обычными бытовыми отходами.



# БЕЗОПАСНОСТЬ

## Инструкции по технике безопасности

Перед тем как устанавливать и эксплуатировать устройство, ознакомьтесь с информацией по технике безопасности. Выполнение инструкций, изложенных в этом руководстве, позволит предотвратить травмы людей или повреждение оборудования. Настоящее руководство содержит пометки «ВНИМАНИЕ» и «ПРИМЕЧАНИЕ», которые необходимо учитывать для безопасной эксплуатации устройства.



Пометка «ВНИМАНИЕ» указывает на условия, которые могут привести к травме персонала или повреждению оборудования. Выполняйте инструкции и не продолжайте работу, пока не будут выполнены все условия и приняты все необходимые меры.



Пометкой «ПРИМЕЧАНИЕ» отмечена информация, важная для обеспечения безотказной работы и оптимального использования очистителя воды.

## Информация по технике безопасности



Если на панели управления горят индикаторы «Степень очистки II и/или III», используйте только очищенную воду.



Это устройство может использоваться детьми старше 8 лет. Данное устройство разрешается использовать лицам с ограниченными физическими, сенсорными и умственными возможностями, а также лицам с низким уровнем знаний и опыта, при условии, что они находятся под присмотром или прошли инструктаж по правилам безопасного использования данного устройства и уяснили степень сопряженных с ним опасностей.



Запрещается ремонтировать или модифицировать детали очистителя воды. Это может привести к нарушению его нормальной работы и причинить материальный ущерб или травмы, не покрываемые гарантией.



Система Pro работает по принципу обратного осмоса. Система содержит сменную мембрану, которая играет важную роль в эффективном снижении общего количества растворенных твердых веществ (TDS). Эту мембрану необходимо регулярно менять.



Техническое обслуживание и ремонт очистителя воды должны выполняться только авторизованным персоналом Bluewater. Используйте только оригинальные за-пасные картриджи и детали Bluewater. Каталог запасных частей и контактную ин-формацию для закупок см. на сайте [www.bluewatergroup.com](http://www.bluewatergroup.com).



Подлежащая очистке вода должна соответствовать требованиям, изложенным в разделе «Техническая информация». Протестируйте качество воды сразу после установки очистителя, а затем проводите тестирование один раз в год. Если вода не является чистой, имеет привкус или неприятный запах, не употребляйте ее.



Установка должна соответствовать действующим местным санитарным нормам и правилам.



Подсоедините очиститель воды к заземленному источнику электропитания. Используйте сетевую розетку, к которой легко получить доступ после установки. Стационарное подключение системы к электросети следует поручать только квалифицированному электрику. В системе должен быть предусмотрен предохранительный выключатель. Неправильная установка может привести к повреждению оборудования или сделать очиститель воды опасным для использования.



Не используйте электрический шнур при наличии на нем видимых признаков повреждения. Во избежание опасности поврежденный электрический шнур должен быть заменен квалифицированным электриком.



Не используйте Pro без фильтра. В противном случае возможно повреждение очистителя. Передочисткой или консервацией Pro фильтр можно извлечь.



В случае отключения очистителя воды от водопровода и электросети на пе-риод более пяти дней соблюдайте правила консервации устройства, описан-ные в «Подробном руководстве пользователя», раздел «Хранение».

RU

# ОБЩЕЕ ОПИСАНИЕ ИЗДЕЛИЯ

## Модели

Модель	Способен очищать воду с большим количеством растворенных твердых веществ, включая соленоватую воду	Пригоден для коммерческого использования без автоматического выключения	Клапан для промывки чистой водой предназначен для условий, где требуется вода более высокого качества
Pro 400B-HR	✓		
Pro 400C-HF		✓	
Pro 400C-HR		✓	
Pro 400BC-HR	✓	✓	
Pro 400CV-HR		✓	✓
Pro 400BCV-HR	✓	✓	✓
Pro 600C-HF		✓	
Pro 600CV-HR		✓	✓

## Внешний вид Pro

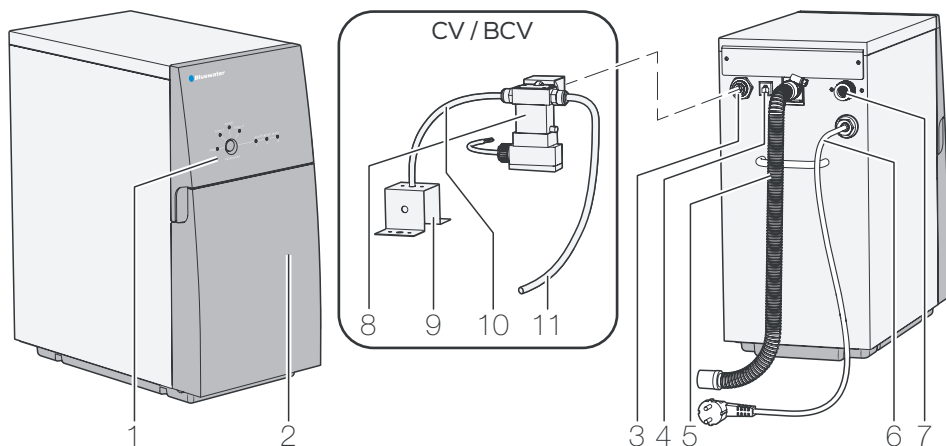


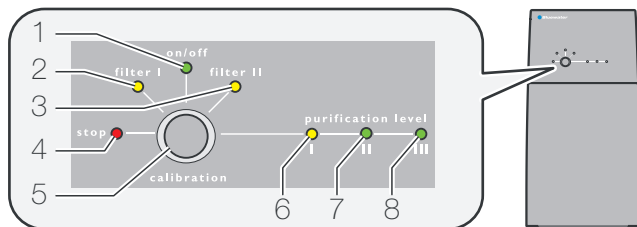
Figure 1. Внешний вид Pro

Поз.	Описание	Поз.	Описание
1	Панель управления	7	Штуцер подачи воды с сетчатым фильтром
2	Передняя крышка	8	Клапан для промывки чистой водой (модели CV)
3	Штуцер чистой воды	9	Кронштейн с зазором
4	Электрический разъем для подключения крана (по заказу)	10	Шланг промывочной воды
5	Шланг сточной воды	11	Шланг чистой воды
6	Электрический шнур		

## Панель управления



Информацию о значении мигающих и/или горящих индикаторов см. в разделе «Устранение неисправностей».



Панель управления

Поз.	Лампа/кнопка	Описание
1	on/off	Горит: На очиститель воды подано питание Не горит: На очиститель воды не подано питание
2	filter I	Горит: Требуется замена фильтра. Pro 600: замените оба фильтра Combi.
3	filter II	Горит: Требуется замена фильтра. Pro 600: замените оба фильтра Combi.
4	stop	Мигает/горит: Неисправность, см. «Устранение неисправностей».
5	calibration	Кнопка калибровки, описание различных функций см. в Complete User manual
6	purification level I	Горит: Индикаторы Purification level I-III указывают степень очистки воды на выходе из очистителя. I — низкая степень, III — высокая степень
7	purification level II	
8	purification level III	

## Внутренние и запасные компоненты системы Pro

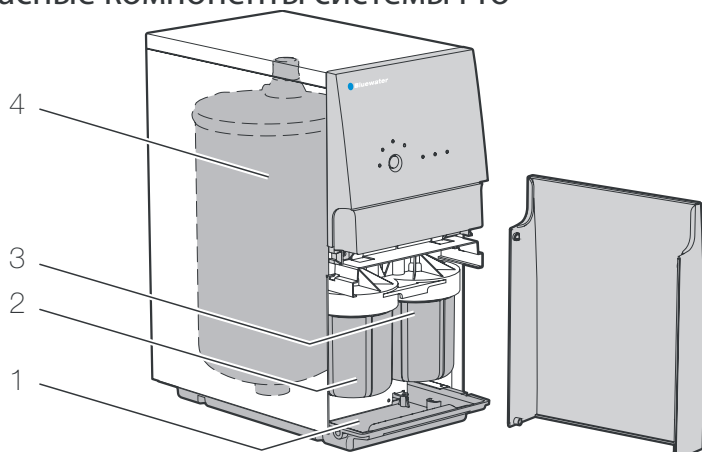


Figure 2. Внутреннее устройство Pro

Поз.	Описание	Артикул	Поз.	Описание	Артикул
1	Опорная плита		3	Фильтр предварительной очистки II, Pro 600: комбинированный угольный элемент	919240005
				Фильтр предварительной очистки II, Pro 400: угольный фильтр, гранулированный	919240003
2	Фильтр предварительной очистки I, Pro 600: комбинированный угольный элемент	919240005	4	Обратноосмотическая мембрана	
	Фильтр предварительной очистки I, Pro 400: осадочный фильтр	919240002		Комплект для обслуживания мембран, тип HR (высокая степень очистки)	150718900-SP
				Комплект для обслуживания мембран, тип HF (высокий расход)	150718901-SP

# ОБЗОР СИСТЕМЫ

## Описание системы

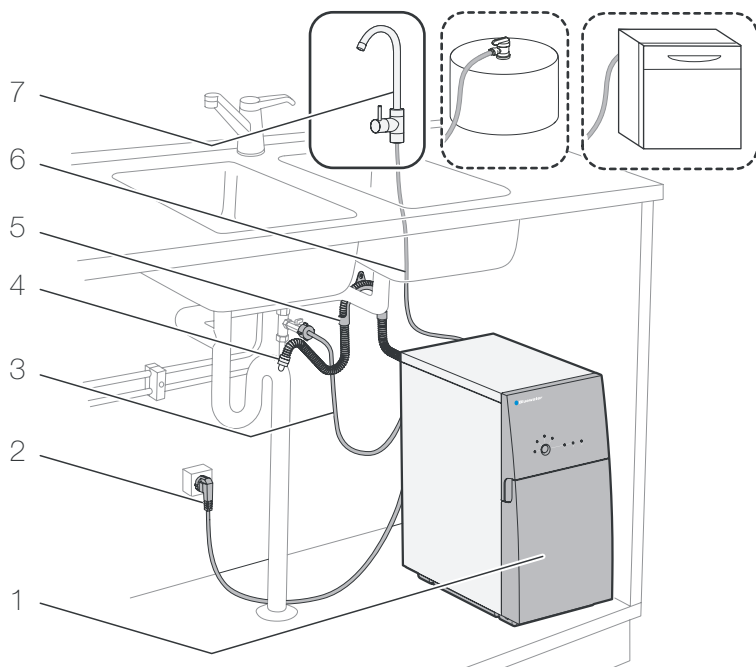


Figure 3. Описание и пример установки системы Pro

Поз.	Описание	Поз.	Описание
1	Очиститель воды	5	Кронштейн для шланга сточной воды
2	Электрический шнур	6	Шланг чистой воды
3	Шланг для подачи воды на очистку	7	Кран для чистой воды (по заказу для серии Pro 400)
4	Шланг сточной воды, установленный с воздушным зазором		

## Водоподготовка



Если на панели управления горят индикаторы «Степень очистки II и III», используйте только очищенную воду. На достижение высокого качества очищенной воды может уйти до 1 минуты.



Для моделей, пригодных для коммерческого использования, вместо крана можно установить клапан или резервуар.

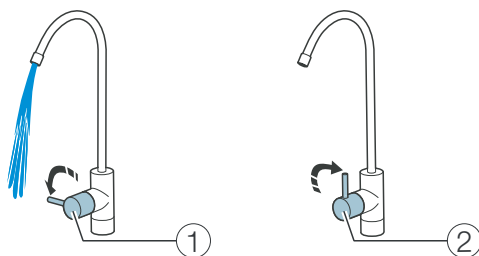


Figure 4. Включение/выключение водоподготовки

RU

## Автоматическая промывка



Процесс промывки занимает 5–120 секунд в зависимости от продолжительности предыдущего периода производства воды.

Автоматическая промывка осуществляется в случае выполнения одного из перечисленных ниже условий:

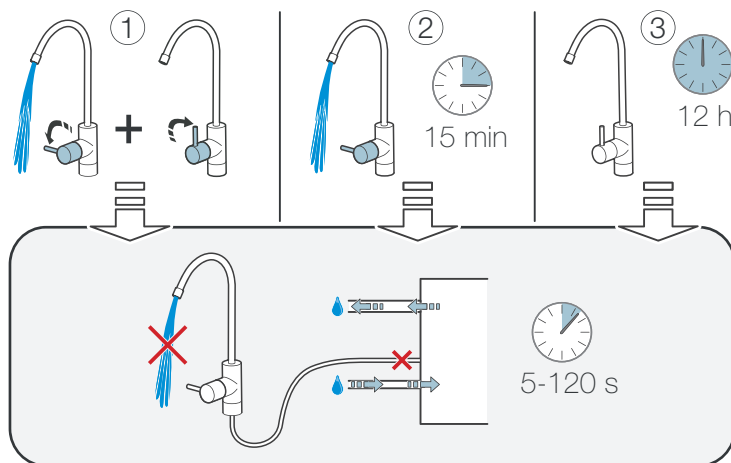


Figure 5. Автоматическая промывка

Поз.	Описание
1	Промывка после производства воды. Каждый раз после очередного периода производства воды
2	Промывка при производстве воды. После достижения максимального времени работы 15 минут (Pro 400B необходимо перезапустить вручную)
3	Очиститель воды в режиме ожидания. Pfo подключен к источникам воды и электропитания. Промывка выполняется каждые 12 часов независимо от момента последнего производства воды

## Установка



Не следует подавать очищенную системой Pro воду во все краны в доме. Это может привести к развитию коррозии внутри водопроводных труб и водонагревателей.

Неправильная установка Pro аннулирует гарантию.



Установка должна соответствовать действующим местным санитарным нормам и правилам.



Подключайте очиститель воды только к холодному водоснабжению. Качество воды должно соответствовать требованиям к очищаемой воде.



Мы рекомендуем доверять установку очистителя воды только специалисту, рекомендованному авторизованным дилером Bluewater.

Инструкции по установке приводятся в Complete User manual на сайте [www.bluewatergroup.com](http://www.bluewatergroup.com).

## Система защиты от утечки воды

Датчик в нижней части очистителя воды обнаруживает утечку воды. Если обнаружена утечка, подача воды на очистку останавливается. Пока утечка не будет устранена, запустить очиститель воды не удастся.

## Защита от снижения давления



Если Pro остановил работу из-за снижения давления, необходимо устранить причину низкого давления. Иначе насос может навсегда выйти из строя.



Если Pro остановил работу из-за низкого давления подаваемой воды, очистку воды можно возобновить вручную нажатием кнопки калибровки.

## Функция перезапуска после остановки из-за снижения давления



Этой кнопкой оснащены только модели, пригодные для коммерческого использования.

Функция перезапуска после остановки из-за снижения давления предназначена для сведения к минимуму работы при недостатке воды.

После остановки из-за снижения давления Pro включается автоматически. Водоочиститель делает три попытки включения: через 3 минуты, 20 минут и через 4 часа. Если после трех попыток включения давление по-прежнему недостаточное, Pro останавливает работу.

# ТЕХНИЧЕСКОЕ ОБСЛУЖИВАНИЕ

## Ежедневное обслуживание

### Проверьте индикаторные лампы

Шаг	Действие
1	Убедитесь, что индикаторы на панели управления не горят и не мигают.

### Произведите очистку очистителя воды



Не используйте химические средства для очистки поверхностей. Спирт, бензин, органические и неорганические кислоты, сильные щелочи (например, концентрированные средства для мытья посуды) могут повредить поверхность.



Не используйте при чистке очистителя воды твердые или острые инструменты.

RU

Шаг	Действие
1	С помощью мягкой влажной ткани и слабого мыльного раствора очистите внешнюю поверхность, чтобы удалить пыль, пятна и грязь.
2	Удалите остатки влаги мягкой сухой тканью.

## Регулярное техническое обслуживание



Регулярное техническое обслуживание имеет важное значение для правильного функционирования и обеспечения длительного срока службы устройства. Техническое обслуживание должны проводить только обученные и авторизованные специалисты.



Инструкции по проведению технического обслуживания см. в Complete User manual на сайте [www.bluewatergroup.com](http://www.bluewatergroup.com).

Частота	Описание
Каждый месяц	Проверьте соединения
	Вытрите конденсат с основания
Каждые 4–6 месяцев*	Замените фильтры. Заменяйте фильтры каждые 4–6 месяцев или после получения 37 850 л (10 000 галлонов) очищенной воды (в зависимости от того, что наступит раньше).
Каждые 6 месяцев*	Удалите накипь
Каждый год	Проверяйте качество воды ежегодно. Если вода не является чистой, не употребляйте ее. Обратитесь к дилеру Bluewater.
Каждые 4–6 лет*	Замените обратноосмотическую мембрану (обратитесь к местному дилеру Bluewater)

\*Частота проведения обслуживания зависит от качества воды и интенсивности использования очистителя.

# ТЕХНИЧЕСКАЯ ИНФОРМАЦИЯ

		Размер ШхВхГ	Масса	Электропитание	Заземленный источник питания	Расход очищенной воды	Уровень шума
Pro 400B-HR	230V	225×466×460 mm	29 kg	530 W	230V, 50-60 Hz	6908 л/день (1825 галлонов/день)	< 60 dB(A)
	120V	8.9×18.3×18.1"	64 lbs	6 Amp	120V, 60 Hz		
Pro 400C-HF	230V	225×466×460 mm	29 kg	530 W	230V, 50-60 Hz	6908 л/день (1825 галлонов/день)	< 60 dB(A)
	120V	8.9×18.3×18.1"	64 lbs	6 Amp	120V, 60 Hz		
Pro 400C-HR	230V	225×466×460 mm	29 kg	530 W	230V, 50-60 Hz	6908 л/день (1825 галлонов/день)	< 60 dB(A)
	120V	8.9×18.3×18.1"	64 lbs	6 Amp	120V, 60 Hz		
Pro 400BC-HR	230V	225×466×460 mm	29 kg	530 W	230V, 50-60 Hz	6908 л/день (1825 галлонов/день)	< 60 dB(A)
	120V	8.9×18.3×18.1"	64 lbs	6 Amp	120V, 60 Hz		
Pro 400CV-HR	230V	225×466×470 mm	29 kg	530 W	230V, 50-60 Hz	6908 л/день (1825 галлонов/день)	< 60 dB(A)
	120V	8.9×18.3×18.5"	64 lbs	6 Amp	120V, 60 Hz		
Pro 400BCV-HR	230V	225×466×470 mm	29 kg	530 W	230V, 50-60 Hz	6908 л/день (1825 галлонов/день)	< 60 dB(A)
	120V	8.9×18.3×18.5"	64 lbs	6 Amp	120V, 60 Hz		
Pro 600C-HF	230V	225×466×460 mm	29 kg	720 W	230V 50-60 Hz	6908 л/день (1825 галлонов/день)	< 60 dB(A)
Pro 600CV-HR	230V	225×466×470 mm	29 kg	720 W	230V 50-60 Hz	6908 л/день (1825 галлонов/день)	< 60 dB(A)

## Требования к воде, подаваемой к очистителю воды

		Температура	Давление воды, подаваемой на очистку.	Расход воды	TDS (Total Dissolved Solids) (общее количество растворенных твердых веществ) [ppm]	Проводимость [µS/cm, 25 °C (77 °F)]	Жесткость	Железо Fe <sup>(2)</sup> /Fe <sup>(3)</sup> [mg/l]	Мутность [FNU]
Pro 400B-HR	230V	2-30 °C	2-10 bar	> 8 l/min	< 7500	< 13 000	< 20 °dH	< 1.5/< 0.3	< 0.5
Pro 400BC-HR Pro 400BCV-HR	120V	36-86 °F	29-145 psi	> 2.1 gal/min			< 20.9 grains/gal		
Pro 400C-HF	230V	2-35 °C	2-10 bar	> 8 l/min	< 1500	< 2000	< 20 °dH	< 1.5/< 0.3	< 0.5
Pro 400C-HR Pro 400CV-HR	120V	36-95 °F	29-145 psi	> 2.1 gal/min			< 20.9 grains/gal		
Pro 600C-HF Pro 600CV-HR	230V	2-35 °C	2.5-10 bar	> 10 l/min	< 1500	< 2000	< 20 °dH	< 1.0/< 0.3	< 0.5



Не используйте с микробиологически небезопасной водой или водой неизвестного качества без достаточной дезинфекции до или после системы.



Разрешено подключение только к холодному водоснабжению. Предельные температуры указаны в таблице «Требования к воде, подаваемой на очиститель воды»



Более подробную техническую информацию см. на сайте [www.bluewatergroup.com](http://www.bluewatergroup.com)

Для получения дополнительной информации о сертификации см. раздел «Рабочие характеристики изделия».



# УСТРАНЕНИЕ НЕИСПРАВНОСТЕЙ

## Решение простых проблем





Если Pro остановил работу из-за аварии, отсоедините его от источника питания, затем вновь подключите или нажмите кнопку калибровки для выхода из состояния экстренного останова.



В случае более серьезных проблем см. Complete User manual на сайте [www.bluewatergroup.com](http://www.bluewatergroup.com).

Проблема	Причина	Решение
	Необходимо заменить фильтр I, Pro 600: замените оба фильтра Combi.	См. Complete User manual
	Сетчатый фильтр засорен	См. Complete User manual
	Слишком низкое давление воды, подаваемой на очистку.	Убедитесь, что давление очищаемой воды достаточно. Если необходимо повысьте давление.
	Необходимо заменить фильтр II, Pro 600: замените оба фильтра Combi.	См. Complete User manual
	Слишком низкое давление воды, подаваемой на очистку. Очиститель воды остановлен. Он в режиме ожидания, его необходимо перезапустить вновь	Очиститель воды попытается запуститься автоматически. Убедитесь, что давление очищаемой воды достаточно. Если необходимо, замените фильтры. См. Complete User manual
	Засорен фильтр I или II	Нажмите кнопку калибровки для пуска очистителя воды. Отпустите кнопку, когда загорится индикатор filter I и погаснет индикатор stop
	Засорение сетчатого фильтра	Убедитесь, что ничего в фильтре не препятствует течению воды. Если необходимо, замените фильтры. См. Complete User manual
	Утечка воды или конденсат на основании	См. Complete User manual
	Слишком низкое давление воды, подаваемой на очистку.	Убедитесь, что все соединения герметичны. Наклоните очиститель воды вперед и вытрите основание сухой тряпкой
	Установите насос, обеспечивающий более высокое давление воды, подаваемой на очистку	Очиститель воды остановлен. Качество очищенной воды стало слишком низким
	Проверьте компоненты, влияющие на давление подачи очищаемой воды (водопровод, фильтр грубой очистки, дополнительный фильтр предварительной очистки).	Новый очиститель воды: выполните его калибровку, см. Complete User manual
	Эксплуатирующийся очиститель воды: отсоедините его от источника питания. Подключите его вновь для запуска автоматической промывки. Повторите 2 или 3 раза	Эксплуатирующийся очиститель воды: отсоедините его от источника питания. Подключите его вновь для запуска автоматической промывки. Повторите 2 или 3 раза
	Калибровка выполнена неправильно	См. Complete User manual

RU

Проблема	Причина	Решение
	Неправильно работает анализатор качества воды	Отсоедините очиститель воды от источника питания. Подключите его вновь для запуска автоматической промывки. Не используйте очиститель воды в течение двух часов
	Кран был открыт более 15 минут. Очиститель воды остановлен (Pro 400B)	Закройте кран и подождите не менее 30 минут Отсоедините очиститель воды от источника питания. Подключите его вновь для запуска автоматической промывки.
Слабый напор чистой воды из крана	Натянут или пережат шланг для чистой воды	Убедитесь, что шланг для чистой воды свободно двигается
	Очистителю воды требуется очистка от накипи	См. Complete User manual
Очиститель воды включается и быстро отключается (кратковременные пуски)	Давление воды на участке между очистителем воды и краном, клапаном или резервуаром ниже давления пуска	Проверьте соединения
		Убедитесь, что концы шланга для воды округлые, без неровностей и заусенцев
		Убедитесь, что краны и клапаны закрываются герметично
Из очистителя воды исходит неприятный запах	Рост микробов в воде в результате длительного бездействия очистителя воды в течение одной недели или более	См. Complete User manual

## Рабочие характеристики изделия



Маркировка WQA Gold Seal удостоверяет, что очиститель воды Bluewater прошел независимые испытания и был сертифицирован в соответствии со стандартами NSF/ANSI 58 и CSA B483.1. Ассоциация WQA сертифицирует рабочие характеристики изделия и проводит анализ производственных мощностей и процессов для подтверждения стабильности качества изделий и их конструктивной целостности.

Очиститель воды Bluewater Pro испытан в соответствии со стандартом NSF/ANSI 58 на эффективность уменьшения количества перечисленных ниже веществ:

- Общая концентрация растворенных твердых веществ
- Хром (+3)
- Свинец
- Мышьяк (+5) (пятивалентный мышьяк, As(+5), As(V) или арсенат).

Общая концентрация указанных выше растворенных твердых веществ (TDS) в воде, поступающей в систему, была снижена до концентрации, меньшей или равной допустимому пределу для воды, выходящей из системы, как указано в стандарте NSF/ANSI 58.

Подробнее см. технический паспорт, размещенный на сайте [www.bluewatergroup.com](http://www.bluewatergroup.com).

В бюллетене по очистке от мышьяка, опубликованном на сайте [www.bluewatergroup.com](http://www.bluewatergroup.com), приведена информация об условиях эффективной очистки от мышьяка (+5), а также о том, почему нельзя достичь такого же уровня удаления мышьяка, присутствующего в других формах.

# Innehåll

SÅKEHET .....	92
Säkerhetsanvisningar .....	92
Säkerhetsinformation .....	92
PRODUKTÖVERSIKT .....	93
Modeller .....	93
Pros utsida .....	93
Pros insida och delar som kan bytas ut .....	94
SYSTEMÖVERSIKT .....	95
Systembeskrivning .....	95
Vattenproduktion .....	96
Installation .....	97
Läcksyddsystem .....	97
Lågtrycksskydd .....	97
UNDERHÅLL .....	98
Dagligt underhåll .....	98
Regelbundet underhåll .....	98
TEKNISK INFORMATION .....	99
FELSÖKNING .....	100
Att lösa mindre problem .....	100
Produktprestanda .....	101

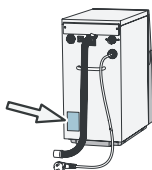
SE

## Kundtjänst

Information om hur du själv kan lösa mindre problem innan du ringer kundtjänst finns i avsnittet "Felsökning". Om du behöver extern service kan det kosta pengar.

När du ringer Bluewater, ha följande uppgifter tillgängliga (finns på märkskylten):

- Modell
- Produktnummer
- Serienummer



## Allmän miljöinformation



80 % av vattenrenarens delar och förpackningar har etiketter som hjälper dig att återvinna och kassera den på rätt sätt. Vattenrenaren är mer effektiv när den får rena vattnet under längre perioder. Exempel: fyll inte ett glas med vatten. Fyll en tillbringare i stället.



Enheter med denna symbol måste lämnas in på en anläggning som tar emot kasserad elektrisk och elektronisk utrustning. Produkten får inte kastas tillsammans med vanligt hushållsavfall.

# SÄKERHET

## Säkerhetsanvisningar

Innan du installerar eller använder apparaten måste du ha läst igenom detta kapitel. Följ instruktionerna i denna handbok för att förhindra personskador och skador på apparaten. I denna handbok finns signalord som FÖRSIKTIGHET och OBS! med anvisningar som måste följas för att enheten ska kunna användas på ett säkert sätt.



**FÖRSIKTIGHET** signalerar tillstånd som kan leda till skador på apparaten. Följ instruktionerna och fortsätt inte använda apparaten förrän alla sådana tillstånd har åtgärdats och godkänts.



**OBS!** signalerar information som är viktig för att vattenrenaren ska kunna användas på ett problemfritt och optimalt sätt.

## Säkerhetsinformation



Använd endast det reade vattnet när lamporna "Purification level" II och/eller III på kontrollpanelen lyser.



Apparaten får användas av barn som är äldre än 8 år. Den får även användas av personer med nedsatt fysisk, sensorisk eller mental förmåga eller brist på kunskap och erfarenhet, förutsatt att de får hjälp eller instruktioner för att kunna använda apparaten på ett säkert sätt och förutsatt att de förstår vilka risker användningen innebär.



Försök inte reparera eller modifiera vattenrenaren och dess komponenter. Detta kan leda till att enheten inte fungerar som den ska och skador som inte omfattas av garantin kan uppstå.



Pro är ett system baserat på omvänd osmos. Det har ett utbytbar membran som är mycket viktigt för en effektiv reducering av mängden upplösta ämnen (TDS – Total Dis-solved Solids). Detta membran måste bytas ut regelbundet.



Endast behörig Bluewater-personal får utföra service och reparationer på vattenrenaren. När du byter patron eller andra delar måste du använda originaldelar från Bluewater. Du hittar reservdelskatalogen och kontaktuppgifter för inköp på [www.bluewatergroup.com](http://www.bluewatergroup.com).



Vattnet som ska renas måste uppfylla kraven i avsnittet "Teknisk information". Kontrollera vattnet efter att vattenrenaren har installerats samt en gång per år. Drick inte vattnet om det inte ser rent ut, eller om det smakar eller luktar illa.



Installationen måste uppfylla gällande VVS-regler och -förfordningar.



Anslut vattenrenaren till ett jordat eluttag. Använd ett uttag som är lättåtkomligt även efter slutförd installation. Om permanent ledningsdragnings ska göras, måste detta utföras av en behörig elektriker. En säkerhetsbrytare måste installeras i systemet. Felaktig installation kan leda till skador eller göra vattenrenaren farlig att använda.



Använd inte strömkabeln om den är synbart skadad. Om strömkabeln är skadad ska den bytas ut av en behörig elektriker för att förhindra fara.



Använd inte Pro utan filter. Om du gör det kan skada uppstå. Filtret kan tas bort när Pro ska rengöras eller ställas undan för förvaring.



Om vattenrenaren ska kopplas bort från vatten/el längre än fem dagar, förbered den för förvaring i enlighet med avsnittet "Storage" i den fullständiga bruksanvisningen.

# PRODUKTÖVERSIKT

## Modeller

Modell	Klarar högre TDS-nivåer (upplösta ämnen), inklusive bräckt inloppsvatten	Lämpad för kommersiellt bruk utan automatisk avstängning	Sköljventil för renvatten lämpad för miljöer som kräver extra hög vattenkvalitet
Pro 400B-HR	✓		
Pro 400C-HF		✓	
Pro 400C-HR		✓	
Pro 400BC-HR	✓	✓	
Pro 400CV-HR		✓	✓
Pro 400BCV-HR	✓	✓	✓
Pro 600C-HF		✓	
Pro 600CV-HR		✓	✓

SE

## Pros utsida

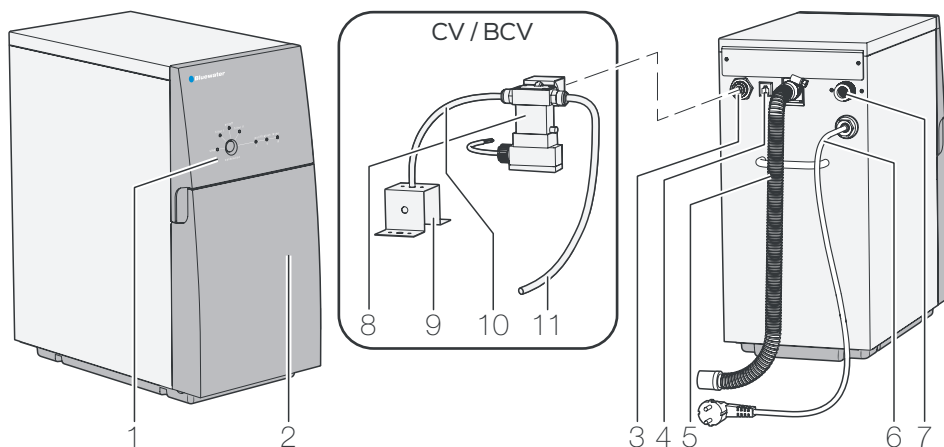


Figure 1. Pros utsida

Pos.	Beskrivning	Pos.	Beskrivning
1	Kontrollpanel	7	Matarvattenanslutning med nätfiler
2	Frontpanel	8	Spolningsventil för renvatten (CV-modeller)
3	Anslutning för renvatten	9	Luftgapsfäste
4	Elanslutning för kran (tillval)	10	Sköljvattenslang
5	Avloppsslang	11	Renvattenslang
6	Strömkabel		

## Kontrollpanel



Information om olika kombinationer av lampor som blinkar/lyser finns i "Felsökning".

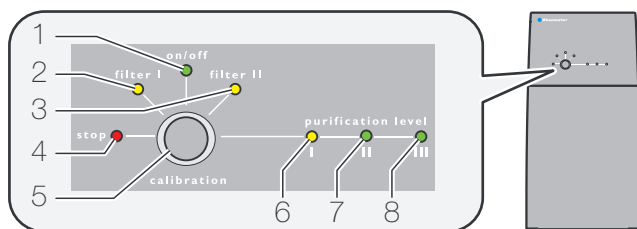


Figure 2. Kontrollpanel

Pos.	Lampa/knapp	Beskrivning
1	on/off	Lyser: Vattenrenaren är ansluten till elnätet Släckt: Vattenrenaren är inte ansluten till elnätet
2	filter I	Lyser: Filtret måste bytas ut. Pro 600: Byt båda Combi-filtren
3	filter II	Lyser: Filtret måste bytas ut. Pro 600: Byt båda Combi-filtren
4	stop	Blinkar/lyser: Något är fel, se "Felsökning".
5	calibration	kalibreringsknapp, flera funktioner, se Complete User Manual.
6	purification level I	Lyser: Purification level I-III visar aktuell reningsnivå för vattnet. I står för låg nivå, III för hög nivå
7	purification level II	
8	purification level III	

## Pros insida och delar som kan bytas ut

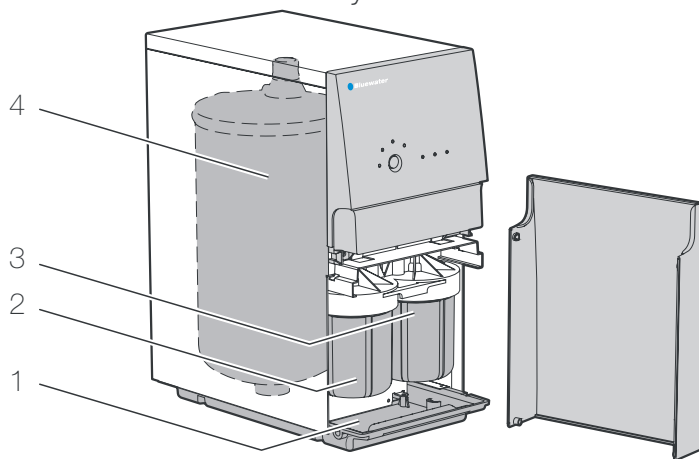


Figure 3. Pros insida

Läge	Beskrivning	Art. nr	Läge	Beskrivning	Art. nr
1	Bottenplatta		3	Förfilter II, Pro 600: Kombiblock	919240005
				Förfilter II, Pro 400: Kolfilter, granulerat	919240003
2	Förfilter I, Pro 600: Kombiblock	919240005	4	Membran – omvänd osmos	
	Förfilter I, Pro 400: sedimentfilter	919240002		Membranservicesats, typ HR (High Rejection)	150718900-SP
				Membranservicesats, typ HF (High Flow)	150718901-SP

# SYSTEMÖVERSIKT

## Systembeskrivning

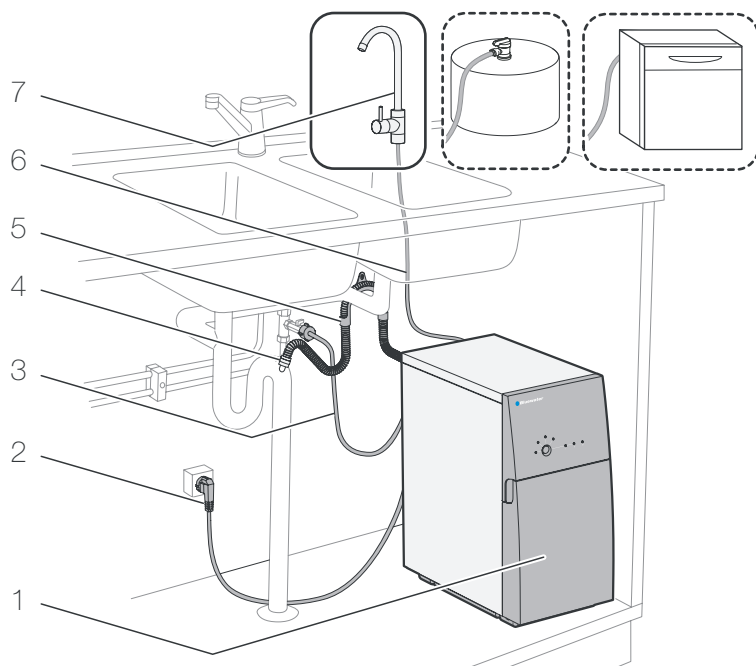


Figure 4. • Systemöversikt, ett exempel på en Pro-installation

Läge	Beskrivning	Läge	Beskrivning
1	Vattenrenare	5	Hållare för avloppsslang
2	Strömkabel	6	Renvattenslang
3	Matarvattenslang	7	Renvattenkran (tillval för Pro 400-serien)
4	Avloppsslang, installerad med ett luftgap		

# Vattenproduktion



Använd endast det reade vattnet när lamporna "Purification level" II och III på kontrollpanelen lyser. Det kan ta upp till 60 sekunder innan god vattenkvalitet indikeras på vattenrenaren.



På modeller lämpade för kommersiellt bruk kan kranen bytas ut mot till exempel en ventil eller tank.

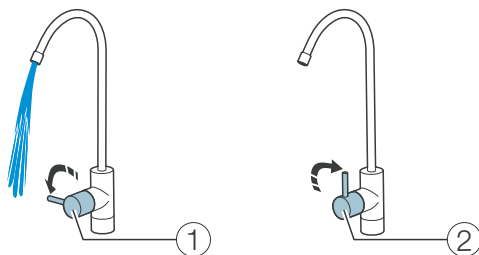


Figure 5. Vattenproduktion, på/av

## Automatisk spolning



Spolningsprocessen varar 5–120 sekunder beroende på hur lång tid föregående vattentappning varade.

En automatisk spolning genomförs om något av nedanstående villkor uppfylls:

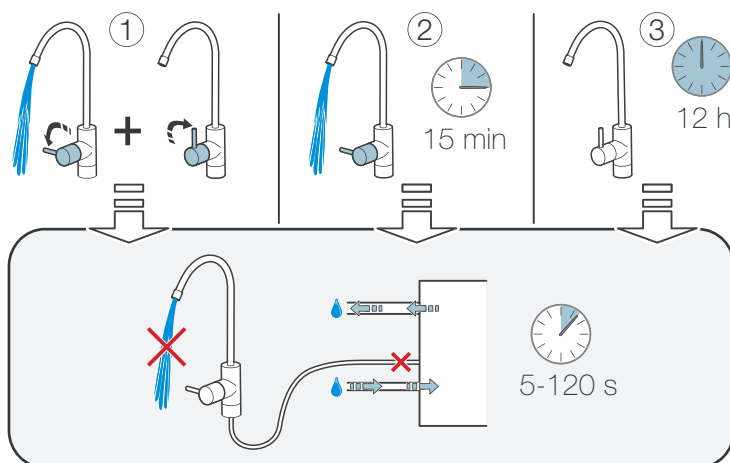


Figure 6. Automatisk spolning

Pos.	Beskrivning
1	Spolning efter vattentappning. Varje timme efter tappning av vatten.
2	Spolning under vattentappning. Efter maximal drifttid på 15 minuter. (Pro 400B måste startas om manuellt.)
3	Vattenrenare i standbyläge. Pro är ansluten till vatten- och elnätet. Spolning utförs var tolfte timme, oavsett när renavatten producerades senaste gången.



## Installation



Pro får inte användas för att leverera vatten till alla kranar i huset. Detta kan göra att vattenrör och varmvattenberedare korroderar. Garantin upphör att gälla om Pro installeras på fel sätt.



Installationen måste uppfylla gällande VVS-regler och -förfordningar.



Vattenrenaren får endast anslutas till kallvattenledningen. Vattnet måste vara av tillräckligt god kvalitet och uppfylla kraven på matarvatten



Vi rekommenderar att vattenrenaren installeras av en fackman som har rekommenderats av en auktoriserad Bluewater-återförsäljare. Installationsanvisningar finns i Complete User Manual och på [www.bluewatergroup.com](http://www.bluewatergroup.com).

## Läckskyddssystem

En sensor i vattenrenarens nederdel känner av vattenläckor. Om en läcka uppstår stoppas matarvattentillförseln. Det går inte att starta vattenrenaren igen förrän läckan har åtgärdats.

SE

## Lågtrycksskydd



Om Pro stoppats på grund av att trycket är för lågt måste orsaken till lågtrycket åtgärdas. Om inte, kan pumpen skadas permanent.



Om Pro har stoppats på grund av för lågt tryck (matarvatten) kan vattenproduktionen startas manuellt genom att trycka på kalibreringsknappen.

## Funktion för omstart vid lågtryck



Finns endast på modeller lämpade för kommersiellt bruk.

Funktionen för omstart vid lågtryck är avsedd att garantera maximal vattentillgänglighet.

Pro startar automatiskt efter att ha stoppats på grund av lågtryck. Apparaten försöker starta tre gånger: efter tre minuter, efter 20 minuter och efter fyra timmar. Om vattentrycket inte är tillräckligt högt efter tre startförsök kommer Pro att stoppas.

# UNDERHÅLL

## Dagligt underhåll

### Kontroll av indikeringslampor

Steg	Åtgärd
1	Kontrollera att lamporna på kontrollpanelen inte lyser eller blinkar.

### Rengör vattenrenaren



Använd inte kemikalier för att rengöra utsidan. Alkohol, bensin, organiska eller oorganiska syror och starkt basiska kemikalier (som t.ex. diskmedel i koncentrerad form) orsakar skador på utsidan.



Använd inga hårda eller vassa verktyg för att rengöra vattenrenaren.

Steg	Åtgärd
1	Rengör utsidan med en mjuk, fuktig trasa och mildt tvålsvatten för att ta bort damm, fläckar och smuts.
2	Torka av med en mjuk, torr trasa.

## Regelbundet underhåll



Regelbundet underhåll är viktigt för att apparaten ska fungera på rätt sätt och under lång tid. Endast utbildad och behörig personal får utföra underhåll.



Underhållsanvisningar finns i Complete User Manual på [www.bluewatergroup.com](http://www.bluewatergroup.com).

Frekvens	Beskrivning
1 månad	Kontrollera anslutningarna Torka bort kondens från bottenplattan.
4–6 månader*	Filterbyte. Byt ut filtren efter den gräns som först uppnås: 4–6 månader eller 37 850 liter (10 000 gallon) renat vatten.
6 månader*	Avkalkning
1 år	Testa vattnet en gång per år. Drink inte vattnet om det inte ser rent ut. Kontakta din Bluewater-återförsäljare.
4–6 år*	Byt ut membranet för omvänd osmos (kontakta din Bluewater-återförsäljare)

\*Underhållsfrekvens beror på vattenkvaliteten och hur mycket vattenrenaren används

# TEKNISK INFORMATION

		Storlek B x H x D	Vikt	Effekt	Nätanslutning, jordad	Flödes hastighet, renat vatten	Ljudnivå
Pro 400B-HR	230V	225x466x460 mm	29 kg	530 W	230V, 50-60 Hz	6 908 liter/dag (1825 gallon/dag)	< 60 dB(A)
	120V	8.9x18.3x18.1 "	64 lbs	6 Amp	120V, 60 Hz		
Pro 400C-HF	230V	225x466x460 mm	29 kg	530 W	230V, 50-60 Hz	6 908 liter/dag (1825 gallon/dag)	< 60 dB(A)
	120V	8.9x18.3x18.1 "	64 lbs	6 Amp	120V, 60 Hz		
Pro 400C-HR	230V	225x466x460 mm	29 kg	530 W	230V, 50-60 Hz	6 908 liter/dag (1825 gallon/dag)	< 60 dB(A)
	120V	8.9x18.3x18.1 "	64 lbs	6 Amp	120V, 60 Hz		
Pro 400BC-HR	230V	225x466x460 mm	29 kg	530 W	230V, 50-60 Hz	6 908 liter/dag (1825 gallon/dag)	< 60 dB(A)
	120V	8.9x18.3x18.1 "	64 lbs	6 Amp	120V, 60 Hz		
Pro 400CV-HR	230V	225x466x470 mm	29 kg	530 W	230V, 50-60 Hz	6 908 liter/dag (1825 gallon/dag)	< 60 dB(A)
	120V	8.9x18.3x18.5 "	64 lbs	6 Amp	120V, 60 Hz		
Pro 400BCV-HR	230V	225x466x470 mm	29 kg	530 W	230V, 50-60 Hz	6 908 liter/dag (1825 gallon/dag)	< 60 dB(A)
	120V	8.9x18.3x18.5 "	64 lbs	6 Amp	120V, 60 Hz		
Pro 600C-HF	230V	225x466x460 mm	29 kg	720 W	230V 50-60 Hz	6 908 liter/dag (1825 gallon/dag)	< 60 dB(A)
Pro 600CV-HR	230V	225x466x470 mm	29 kg	720 W	230V 50-60 Hz	6 908 liter/dag (1825 gallon/dag)	< 60 dB(A)

SE

## Krav på matarvatten till vattenrenare

		Temperatur	Flödestryck matarvatten	Vattenflöde	TDS (Total Dissolved Solids) [ppm]	Konduktivitet [µS/cm, 25 °C / 77 °F]	Hårdhet	Jäm. Fe <sup>2+</sup> /Fe <sup>3+</sup> [mg/l]	Turbiditet (FNU)
Pro 400B-HR	230V	2-30 °C	2-10 bar	> 8 l/min	< 7500	< 13 000	< 20 °dH	< 1.5/< 0.3	< 0.5
Pro 400BC-HR									
Pro 400BCV-HR	120V	36-86 °F	29-145 psi	> 2.1 gal/min			< 20.9 grains/gal		
Pro 400C-HF	230V	2-35 °C	2-10 bar	> 8 l/min	< 1500	< 2000	< 20 °dH	< 1.5/< 0.3	< 0.5
Pro 400C-HR									
Pro 400CV-HR	120V	36-95 °F	29-145 psi	> 2.1 gal/min			< 20.9 grains/gal		
Pro 600C-HF	230V	2-35 °C	2.5-10 bar	> 10 l/min	< 1500	< 2000	< 20 °dH	< 1.0/< 0.3	< 0.5
Pro 600CV-HR									



Får inte användas med vatten som är mikrobiologiskt osäkert eller är av okänd kvalitet och inte desinfekterats ordentligt före eller efter systemet.



Får endast anslutas till kallvattenledningen. Temperaturgränserna är angivna i tabellen "Krav på matarvatten till vattenrenare".



Mer detaljerad information finns på [www.bluewatergroup.com](http://www.bluewatergroup.com)

Mer information om certifieringar finns i avsnittet "Produktprestanda".

# FELSÖKNING

## Att lösa mindre problem




Om Pro stoppas på grund av en nödsituation, koppla bort apparaten från elnätet och återanslut den, eller tryck på kalibreringsknappen för att göra en återställning efter nödstoppet.



För mer komplicerade problem – se Complete User Manual på [www.bluewatergroup.com](http://www.bluewatergroup.com)

Symptom	Orsak	Lösning
	Filter I måste bytas ut. Pro 600: Byt båda Combi-filtren	Se Complete User Manual
	Nätfiltret är igensatt.	Se Complete User Manual
	Matarvattentrycket är för lågt.	Kontrollera att matarvattentrycket är tillräckligt högt. Höj trycket vid behov.
	Filter II måste bytas ut. Pro 600: Byt båda Combi-filtren	Se Complete User Manual
	Matarvattentrycket är för lågt. Vattenrenaren har stannat. Den står i vänteläge och måste startas igen.	Vattenrenaren kommer att försöka starta om automatiskt. Kontrollera att matarvattentrycket är tillräckligt högt. Byt vid behov ut filtren. Se Complete User Manual.
	Tryck på kalibreringsknappen för att starta vattenrenaren. Släpp knappen när lamporna "filter I" och "stop" släcks.	
	filter I eller filter II är igensatt.	Kontrollera att filtret inte är igensatt av något. Byt vid behov ut filtren. Se Complete User Manual.
	Nätfiltret är igensatt.	Se Complete User Manual
	Vattenläckage eller kondens finns på bottenplattan.	Se till att alla anslutningar är vattentäta. Luta vattenrenaren framåt och torka av bottenplattan med en trasa.
	Matarvattentrycket är för lågt.	Installera en pump med högre matarvattentryck.  Kontrollera de delar som påverkar matarvattentrycket (vattenledning, grovfiltret och extra förfiltret).
	Vattenrenaren har stannat. Vattenkvaliteten har blivit för dålig.	Ny vattenrenare: för kalibrering, se Complete User Manual.  Använd vattenrenare: dra ut elkontakten. Sätt i kontakten igen för att starta den automatiska spolningen. Upprepa detta två-tre gånger.
	Kalibrering har inte utförts på rätt sätt	Se Complete User Manual
	Vattenkvalitetsmätaren fungerar inte som den ska.	Dra ut elkontakten till vattenrenaren. Sätt i kontakten igen för att starta den automatiska spolningen. Vänta i två timmar innan vattenrenaren används igen.

Symptom	Orsak	Lösning
	Kranen har stått öppen i mer än 15 minuter. Vattenrenaren har stannat. (Pro 400B)	Stäng kranen och vänta i minst 30 minuter.
		Dra ut elkontakten till vattenrenaren. Sätt i kontakten igen för att starta den automatiska spolningen.
Låg flödes hastighet från renvattenkranen.	Renvattenslangen är för spänd eller har kommit i kläm.	Se till att renvattenslangen löper fritt.
	Vattenrenaren behöver avkalkas.	Se Complete User Manual.
Vattenrenaren startar och stannar upprepad gång (korta starter).	Vattentrycket mellan vattenrenaren och kranen/ventilen/tanken är lägre än den trycknivå som krävs för en start.	Undersök anslutningarna.
		Kontrollera att vattenslangens ändrar är cirkelrunda och släta.
		Kontrollera att kranar och ventiler är vattentäta när de är stängda.
Vattenrenaren luktar illa.	Mikrobiell tillväxt i vattnet på grund av att vattenrenaren inte har använts på en vecka eller mer.	Se Complete User Manual.

## Produktprestanda

SE



Gold Seal-märkningen från Water Quality Association (WQA) bevisar att vattenrenaren har genomgått oberoende provning och har certifierats enligt NSF/ANSI 58 och CSA Standard B483.1. WQA certifierar produktprestanda och granskar tillverkningsanläggningen och dess rutiner för att säkerställa produkternas enhetlighet och integritet.

Vattenrenaren Bluewater Pro har testats i enlighet med NSF/ANSI 58 avseende reducering av nedanstående ämnen:

- TDS
- Krom(+3)
- Bly
- Arsenik(+5) (kallas även femvärd arsenik, As(+5), As(V) eller arsenat).

Koncentrationen av det angivna ämnet i vattnet då det tillförs systemet minskar till en koncentration som är mindre än eller lika med tillåtet gränsvärde för vattnet som lämnar systemet enligt specifikationerna i NSF/ANSI 58.

Mer information finns i prestandadatabladet på [www.bluewatergroup.com](http://www.bluewatergroup.com).

I faktabladet om arsenik som även detta finns på [www.bluewatergroup.com](http://www.bluewatergroup.com) hittar du information om de förhållanden som berör hur effektivt mängden arsenik(+5) kan reduceras och varför andra former av arsenik eventuellt inte avlägsnas i samma utsträckning

# Sisältö

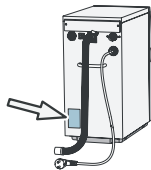
TURVALLISUUS .....	103
Turvallisuusohjeet .....	103
Turvallisuustiedot .....	103
TUOTEKATSAUS.....	104
Mallit.....	104
Pro ulkopuolelta.....	104
Pro sisäpuolelta ja vaihdettavat osa.....	105
JÄRJESTELMÄKATSAUS.....	106
Järjestelmän kuvaus .....	105
Vedentuotanto.....	107
Asennus .....	108
Vuotosuojajärjestelmä .....	108
Alhaisen paineen suojaus .....	108
HUOLTO .....	109
Jokapäiväinen huolto .....	109
Säännöllinen huolto .....	109
TEKNISET TIEDOT.....	110
VIANMÄÄRITYS .....	111
Yksinkertaisten ongelmien ratkaiseminen .....	111
Tuotteen suorituskyky .....	112

## Asiakaspalvelu

Katso kohdasta Vianmääritys apua pienten ongelmien ratkaisemiseen, ennen kuin otat yhteyttä huoltoon. Jos tarvitset ulkopuolista huoltoapua, se ei ole välttämättä ilmaista.

Varaa seuraavat tiedot (ne näkyvät tyyppikilvessä) esille soittaessasi Bluewaterille:

- Malli
- Tuotenumero
- Sarjanumero



## Ympäristötiedot



80 %:ssa vedenpuhdistuslaitteen osista ja sen pakkauksessa on merkintä, joka auttaa kierrättämään ja hävittämään ne oikein. Vedenpuhdistuslaite on tehokkaampi, kun se puhdistaa vettä pidempinä jaksoina. Esimerkki: älä täytä lasia vedellä. Täytä sen sijaan kannu.



Tällä symbolilla merkityt laitteet on toimitettava paikalliseen sähkö- ja elektroniikkalaitteiden kierrätyspisteeseen. Tämän tuotteen voi hävittää normaalin kotitalousjätteen mukana.

# TURVALLISUUS

## Turvallisuusohjeet

Lue turvallisuustiedot ennen kuin asennat laitteen tai käytät sitä. Noudata tämän käsikirjan ohjeita välttääksesi loukkaantumiset tai laitteen vaurioitumisen. Tämä käsikirja sisältää laitteen turvallista käyttöä koskevia VAROITUKSIA ja HUOMAUTUKSIA.



**HUOMIO** viittaa tilanteisiin, joista voi aiheutua vahinkoa laitteelle. Noudata ohjeita äläkä jatka, ennen kuin kaikki ehdot on hyväksytty ja täytetty.



Huom antaa tärkeitä tietoja, joiden tavoitteena on vedenpuhdistuslaitteen ongelmaton ja optimaalinen käyttö.

## Turvallisuustiedot



Käytä puhdistettua vettä vain, kun ohjauspaneelin valot "purification level II ja/tai III" palavat.



Tätä laitetta saavat käyttää 8 vuotta täyttäneet henkilöt. Sitä saavat käyttää henkilöt, joiden fyysiset, aistilliset tai henkiset kyvyt ovat heikentyneet tai jotka eivät ole käyttäneet laitetta tai tunne sitä vain, jos heidät opastetaan laitteen turvalliseen käyttöön ja jos he ymmärtävät laitteen käyttöön liittyvät vaarat.



Älä korjaa tai muuta vedenpuhdistuslaitteen osia. johtaa laitteen virheelliseen toimintaan ja aiheuttaa loukkaantumisia tai vaurioita, joita takuu ei korvaa.



Pro on käänteisosmoosijärjestelmä. Siinä on vaihdettava kalvo, joka on erittäin tärkeä liuenneiden kiinteiden aineiden kokonaismäärän (TDS) vähentämisessä. Vaihda tämä kalvo säännöllisesti.



Ainoastaan hyväksytty Bluewaterin henkilökunta saa tehdä vedenpuhdistuslaitteen huolto- ja korjaustöitä. Käytä ainoastaan alkuperäisiä Bluewaterin vaihtopatruunoita ja -osia. Va-raosaluettelon ja yhteystiedot hankkimista varten löydät osoitteesta [www.bluewatergroup.com](http://www.bluewatergroup.com).



Puhdistettavan veden on vastattava kohdan Tekniset tiedot vaatimuksia. Testaa vesi, kun vedenpuhdistuslaite on asennettu, ja sen jälkeen kerran vuodessa. Jos vesi ei ole puhdasta tai se maistuu tai haisee pahalta, älä juo sitä.



Asennus on tehtävä sovellettavien paikallisten LVI-sääntöjen ja -määräysten mukaisesti.



Liitä vedenpuhdistuslaite maadoitettuun pistorasiaan. Käytä pistoketta, johon pääsee helposti käsiksi asennuksen jälkeen. Ainoastaan hyväksytty sähköasentaja saa asentaa järjestelmään pysyvän johdotuksen. Järjestelmään on asennettava turvakatkaisin. Virheellisestä asennuksesta voi seurata vaurioita tai se voi tehdä vedenpuhdistuslaitteesta vaarallisen käyttäjä.



Älä käytä virtajohtoa, jos siinä on näkyviä merkkejä vaurioista. Jos virtajohto on vaurioitunut, pätevän sähköasentajan on vaihdettava se vaaratilanteiden välttämiseksi.



Älä käytä Pro-laitetta ilman suodatinta. Se voi aiheuttaa vahinkoja. Kun Pro puhdistetaan tai laitetaan säilytykseen, suodattimen voi irrottaa.



Jos vedenpuhdistuslaite on irrotettuna vesi- ja sähköliitännöistä yli 5 päivän ajan, säilytä se täydellisen käyttöohjeen "Säilytys"-luvun kuvauksen mukaisesti.

FI

# TUOTEKATSAUS

## Mallit

Malli	Pystyy käsittelemään suuremman määrän liuenneita kiinteitä aineita yhteensä (TDS), mukaan lukien hanasta tuleva murtovesi	Soveltuu kaupalliseen käyttöön ilman automaattista sammutusta	Erittäin korkealaatuista vettä vaativiin tiloihin soveltuva puhtaan veden huuhtelu-suodatin
Pro 400B-HR	✓		
Pro 400C-HF		✓	
Pro 400C-HR		✓	
Pro 400BC-HR	✓	✓	
Pro 400CV-HR		✓	✓
Pro 400BCV-HR	✓	✓	✓
Pro 600C-HF		✓	
Pro 600CV-HR		✓	✓

## Pro ulkopuolelta

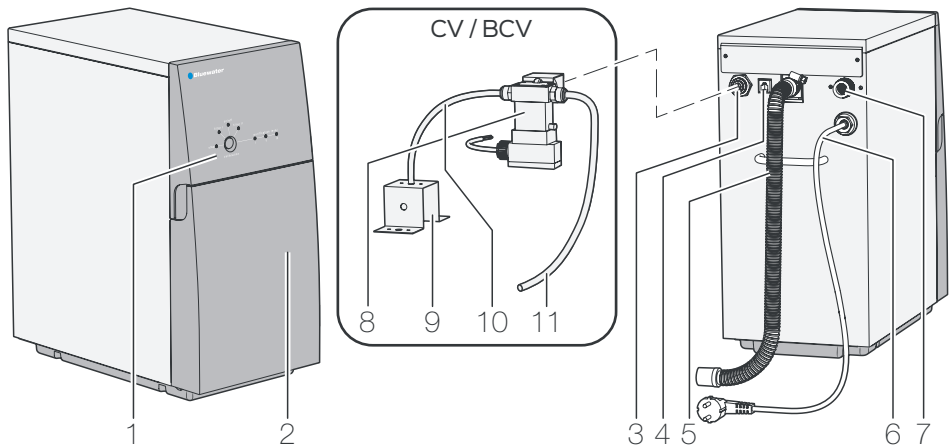


Figure 1. Pro ulkopuolelta

Nro	Kuvaus	Nro	Kuvaus
1	Käyttöpaneeli	7	Tulovesiliitäntä ritiläsuodattimella
2	Etusuoja	8	Puhtaan veden huuhtelu-suodatin (CV-mallit)
3	Puhdasvesiliitäntä	9	Ilmaraon kiinnitin
4	Sähköliitäntä hanalle (valinnainen)	10	Huuhtelovesi-letku
5	Poistovesi-letku	11	Puhdasvesi-letku
6	Virtajohto		





Lisätietoja vilkkuvien/palvien valojen yhdistelmästä, katso Vianmääritys.

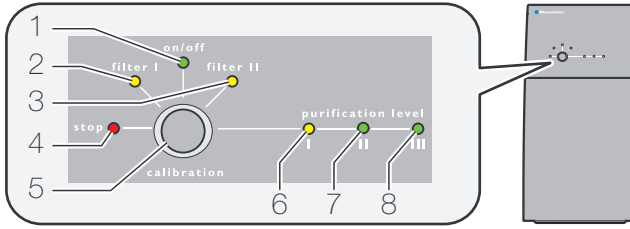


Figure 2. Käyttöpaneeli

Nro	Valo/painike	Kuvaus
1	on/off	On: Vedenpuhdistuslaite on kytketty virtalähteeseen. Off: Vedenpuhdistuslaitetta ei ole kytketty virtalähteeseen
2	filter I	On: Suodatin on vaihdettava. Pro 600: Vaihda molemmat Combi-suodattimet.
3	filter II	On: Suodatin on vaihdettava. Pro 600: Vaihda molemmat Combi-suodattimet.
4	stop	Vilkkuu/palaa: Jotain on vialla, katso Vianmääritys.
5	calibration	Kalibrintipainike, useita toimintoja, katso täydellistä käyttöohjetta.
6	purification level I	On: Puhdistustaso I-III ilmaisee veden puhdistustason. Matala taso I - korkea taso III
7	purification level II	
8	purification level III	

FI

## Pro sisäpuolelta ja vaihdettavat osat

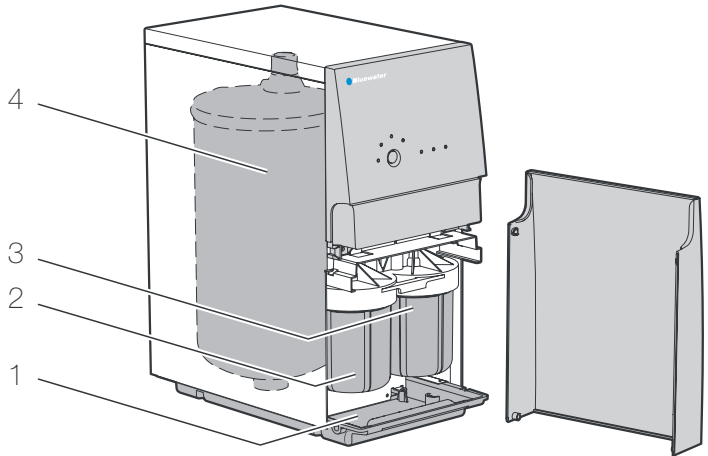


Figure 3. Pro sisäpuolelta

Nro	Kuvaus	Tuotenumero	Nro	Kuvaus	Tuotenumero
1	Aluslevy		3	Esisuodatin II, Pro 600: Combi-hiiliyksikkö	919240005
				Esisuodatin II, Pro 400: Hiilisuodatin, rakeet	919240003
2	Esisuodatin I, Pro 600: Combi-hiiliyksikkö	919240005	4	Käänteisosmoosikalvo	
	Esisuodatin I, Pro 400: Sedimenttisuodatin	919240002		Kalvon huoltosarja, tyyppi HR (High Rejection, suuri hylkäysaste)	150718900-SP
				Kalvon huoltosarja, tyyppi HF (High Flow, suuri virtaus)	150718901-SP

# JÄRJESTELMÄKATSAUS

## Järjestelmän kuvaus

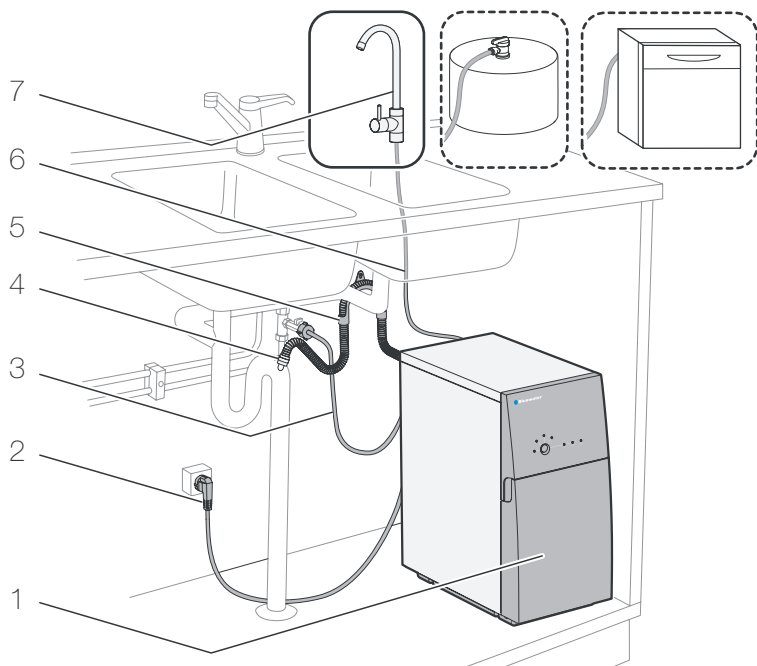


Figure 4. Järjestelmän yleiskuvaus, esimerkki Pro-asennuksesta

Nro	Kuvaus	Nro	Kuvaus
1	Vedenpuhdistuslaite	5	Poistovesiletkun kiinnitin
2	Virtajohto	6	Puhdasvesiletku
3	Tulovesiletku	7	Puhdasvesihanana (valinnainen Pro 400 -sarjassa)
4	Poistovesiletku, asennettu ilmapälin kanssa		

# Vedentuotanto



Käytä puhdistettua vettä vain, kun ohjauspaneelin valot "purification level II ja III" palavat. Voi kestää jopa 60 sekuntia ennen kuin vedenpuhdistin ilmaisee hyvän vedenlaadun.



Kaupalliseen käyttöön soveltuissa malleissa hanan voi korvata esimerkiksi venttiilillä tai säiliöllä.

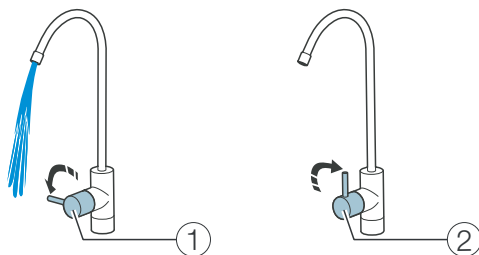


Figure 5. Vedentuotanto päälle/pois

## Automaattinen huuhtelu



Huuhteluprosessin kesto vaihtelee 5 - 120 sekunnin välillä, riippuen kuinka kauan edellinen veden tuleminen kesti.

Automaattinen huuhtelu suoritetaan, jos jokin alla mainituista ehtoista täyttyy:

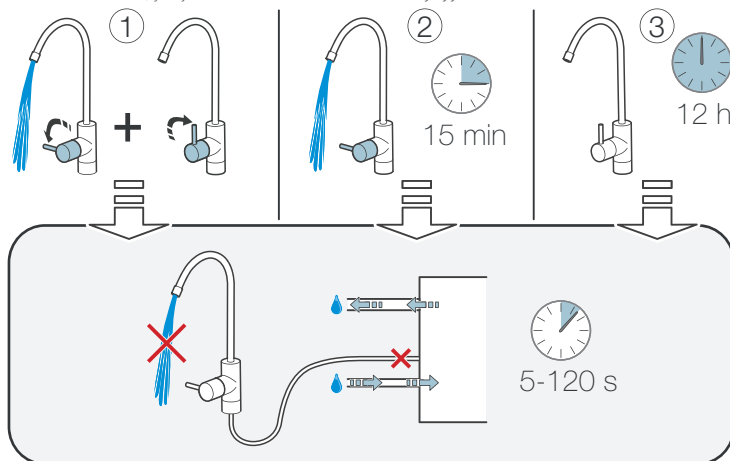


Figure 6. Automaattinen huuhtelu

Nro	Kuvaus
1	Huuhtelee veden ottamisen jälkeen. Joka kerta veden ottamisen jälkeen.
2	Huuhtelee veden ottamisen yhteydessä. Huuhtelu maksimikäyttöajan jälkeen 15 minuuttia. (Pro 400B on käynnistettävä manuaalisesti uudelleen)
3	Vedenpuhdistuslaitte valmistilassa. Pro -vedenpuhdistuslaitte on kytketty vedensyöttöön ja virtalähteeseen. Huuhtelu suoritetaan 12 tunnin välein, riippumatta siitä milloin puhdasta vettä on viimeksi tuotettu.

## Asennus



Pro ei saa syöttää vettä kaikkiin talon vesihanoihin. Se voi aiheuttaa vesiputkien ja vedenlämmittimien syöpymistä.

Jos Pro-vedenpuhdistinta ei ole asennettu oikein, takuu ei ole voimassa.



Asennus on tehtävä sovellettavien paikallisten LVI-sääntöjen ja -määräysten mukaisesti.



Liitä vedenpuhdistin ainoastaan kylmän veden syöttöön. Veden on oltava laadultaan riittä-vää ja sen on täytettävä saapuvaa vettä koskevat vaatimukset.



Suosittelemme vedenpuhdistuslaitteen asennuksen teettämistä valtuutetun Bluewater-jälleenmyyjän suosittelemalla ammattilaisella.

Asennusohjeet ovat täydellisessä käyttöohjeessa ja osoitteessa [www.bluewatergroup.com](http://www.bluewatergroup.com).

## Vuotosuojajärjestelmä

Vedenpuhdistuslaitteen pohjassa oleva anturi havaitsee vesivuodot. Vuodon sattuessa tuloveden syöttö keskeytyy.

Vedenpuhdistuslaitetta ei voi käynnistää uudelleen, ennen kuin vuoto on korjattu.

## Alhaisen paineen suojaus



Jos Pro pysähtyy alhaisen paineen vuoksi, alhaisen paineen syy pitää poistaa. Jos niin ei toimita, pumppu voi vahingoittua pysyvästi.



Kun Pro on pysähtynyt alhaisen vedenpaineen vuoksi (syöttövesi), vedentuotanto voidaan käynnistää manuaalisesti painamalla kalibrointipainiketta.

## Alhaisen paineen uudelleenkäynnistys



Vain malleissa, jotka soveltuvat kaupalliseen käyttöön.

Alhaisen paineen uudelleenkäynnistys on toiminto, jolla varmistetaan veden mahdollisimman suuri saatavuus.

Pro käynnistyy automaattisesti, kun se on pysähtynyt alhaisen paineen vuoksi. Se yrittää käynnistyä kolme kertaa: 3 minuutin, 20 minuutin ja 4 tunnin jälkeen. Jos vedenpaine ei ole riittävän korkea kolmen yrityksen jälkeen, Pro pysähtyy.

# HUOLTO

## Jokapäiväinen huolto

### Tarkista merkkivalot

Vaihe	Toimenpide
1	Varmista, etteivät ohjauspaneelin valot tai huoltovalot pala eivätkä vilku.

### Puhdista vedenpuhdistuslaite



Älä käytä kemikaaleja pinnan puhdistamiseen. Alkoholi, bensiini, orgaaniset ja epäorgaaniset, hapot sekä vahvat peruskemikaalit (kuten astianpesuainetiiviste) vaurioittavat pintaa.



Älä käytä vedenpuhdistuslaitteen puhdistamiseen kovia tai teräviä työkaluja.

Vaihe	Toimenpide
1	Puhdista pöly, tahrat ja liika ulkopinnalta pehmeällä ja kostealla liinalla ja miedolla saippualluoksella.
2	Kuivaa pehmeällä ja kuivalla liinalla.

FI

## Säännöllinen huolto



Säännöllinen kunnossapito on tärkeää oikean ja pitkäaikaisen toiminnan varmistamiseksi. Ainoastaan koulutettu ja hyväksytty henkilökunta saa tehdä kunnossapitotöitä.



Katso ohjeet kunnossapitotöihin täydellisestä käyttöohjeesta osoitteesta [www.bluewatergroup.com](http://www.bluewatergroup.com)

Kunnossapitoväli	Kuvaus
1 kuukausi	Tarkista liitännät Pyyhi tiivistynyt kosteus pois aluslevystä.
4 - 6 kuukautta*	Vaihda suodattimet. Vaihda suodattimet 4–6 kuukauden tai 37 850 litran (10 000 gal) puhdistetun vesimäärän jälkeen sen mukaan, kumpi näistä täytyy ensin.
6 kuukautta*	Poista kattilakivi
1 vuosi	Testaa vesi joka vuosi. Jos vesi ei ole puhdasta, älä juo sitä. Ota yhteyttä Bluewaterin jälleenmyyjään.
4 - 6 vuotta*	Vaihda käänteisosmoosikaivo (ota yhteyttä Bluewaterin jälleenmyyjään)

\*Tiheys riippuu veden laadusta ja käytöstä

# TEKNISET TIEDOT

		Koko LxKxS	Paino	Teho	Sähkönsyöttö, maadoitettu	Puhdistetun veden virtaama	Äänentaso
Pro 400B-HR	230V	225x466x460 mm	29 kg	530 W	230V, 50-60 Hz	6 908 litraa/päivä (1825 gallonia/päivä)	< 60 dB(A)
	120V	8.9x18.3x18.1 "	64 lbs	6 Amp	120V, 60 Hz		
Pro 400C-HF	230V	225x466x460 mm	29 kg	530 W	230V, 50-60 Hz	6 908 litraa/päivä (1825 gallonia/päivä)	< 60 dB(A)
	120V	8.9x18.3x18.1 "	64 lbs	6 Amp	120V, 60 Hz		
Pro 400C-HR	230V	225x466x460 mm	29 kg	530 W	230V, 50-60 Hz	6 908 litraa/päivä (1825 gallonia/päivä)	< 60 dB(A)
	120V	8.9x18.3x18.1 "	64 lbs	6 Amp	120V, 60 Hz		
Pro 400BC-HR	230V	225x466x460 mm	29 kg	530 W	230V, 50-60 Hz	6 908 litraa/päivä (1825 gallonia/päivä)	< 60 dB(A)
	120V	8.9x18.3x18.1 "	64 lbs	6 Amp	120V, 60 Hz		
Pro 400CV-HR	230V	225x466x470 mm	29 kg	530 W	230V, 50-60 Hz	6 908 litraa/päivä (1825 gallonia/päivä)	< 60 dB(A)
	120V	8.9x18.3x18.5 "	64 lbs	6 Amp	120V, 60 Hz		
Pro 400BCV-HR	230V	225x466x470 mm	29 kg	530 W	230V, 50-60 Hz	6 908 litraa/päivä (1825 gallonia/päivä)	< 60 dB(A)
	120V	8.9x18.3x18.5 "	64 lbs	6 Amp	120V, 60 Hz		
Pro 600C-HF	230V	225x466x460 mm	29 kg	720 W	230V 50-60 Hz	6 908 litraa/päivä (1825 gallonia/päivä)	< 60 dB(A)
Pro 600CV-HR	230V	225x466x470 mm	29 kg	720 W	230V 50-60 Hz	6 908 litraa/päivä (1825 gallonia/päivä)	< 60 dB(A)

## Vedenpuhdistuslaitteelle syötettävää vettä koskevat vaatimukset

	Lämpötila	Tuloveden virtauspaine.	Veden virtaus	TDS (Total Dissolved Solids) [ppm]	Johdevuus [µS/cm, 25 °C (77 °F)]	Kovuus	Rautaa Fe <sup>2+</sup> /Fe <sup>3+</sup> [mg/l]	Sameus [FNU]
Pro 400B-HR	230V 2-30 °C	2-10 bar	> 8 l/min	< 7500	< 13 000	< 20 °dH	< 1.5/< 0.3	< 0.5
Pro 400BC-HR								
Pro 400BCV-HR								
Pro 400C-HF	230V 2-35 °C	2-10 bar	> 8 l/min	< 1500	< 2000	< 20 °dH	< 1.5/< 0.3	< 0.5
Pro 400C-HR								
Pro 400CV-HR								
Pro 600C-HF	230V 2-35 °C	2.5-10 bar	> 10 l/min	< 1500	< 2000	< 20 °dH	< 1.0/< 0.3	< 0.5
Pro 600CV-HR								



Älä käytä mikrobiologisesti vaarallisen tai laadultaan tuntemattoman veden kanssa ilman riittävää desinfiointia ennen järjestelmää tai sen jälkeen.



Liitä ainoastaan kylmän veden syöttöön. Lämpötilarajoitukset ovat taulukossa "Veden-puhdistimelle syötettävän veden vaatimukset".



Katso tarkemmat tiedot osoitteesta [www.bluewatergroup.com](http://www.bluewatergroup.com)

Lisätietoa tuotteen sertifiointeista saa kohdasta "Tuotteen suosituskyky".

# VIANMÄÄRITYS

## Yksinkertaisten ongelmien ratkaiseminen



Jos Pro pysähtyy vikatilanteen vuoksi, irrota se virtalähteestä ja liitä takaisin, tai nollaa vikapysäytys painamalla kalibroitinpainiketta.



Hae apua vakavampiin ongelmiin täydellisestä käyttöohjeesta osoitteesta [www.bluewatergroup.com](http://www.bluewatergroup.com).

Oire	Syy	Ratkaisu
	Suodatin I on vaihdettava. Pro 600: Vaihda molemmat Combi-suodattimet.	Katso Complete User manual
	Ritiläsuodatin on tukossa.	Katso Complete User manual
	Syöttövedenpaine on liian alhainen.	Varmista, että syöttövedenpaine on riittävä. Nosta tarvittaessa painetta.
	Suodatin II on vaihdettava. Pro 600: Vaihda molemmat Combi-suodattimet.	Katso Complete User manual
	Syöttövedenpaine on liian alhainen. Vedenpuhdistuslaitte on pysähtynyt. Se odottaa ja on käynnistettävä uudelleen.	Vedenpuhdistuslaitte yrittää käynnistyä automaattisesti. Varmista, että syöttöveden paine on alhainen. Vaihda tarvittaessa suodattimet. Katso Complete User manual.  Käynnistä vedensuodatin painamalla kalibroitinpainiketta. Vapauta painike, kun suodattimen I valo syttyy ja pysäytysvalo sammuu.
	Suodatin I tai II on tukossa.	Varmista, ettei suodattimessa ole mitään, minkä vuoksi vesi ei virtaa. Vaihda suodattimet tarvittaessa. Katso Complete User manual.
	Ritilä on tukossa.	Katso täydellistä käyttöohjetta
	Vesivuoto tai vettä tiivistynyt aluslevyn pintaan.	Varmista, että kaikki liitännät ovat vedenpitäviä. Kallista vedenpuhdistuslaitetta eteenpäin ja kuivaa aluslevy liinalla.
	Syöttövedenpaine on liian alhainen.	Asenna syöttövetä varten pumppu, jonka painetta on nostettu.  Tarkista kaikki osat, joilla on vaikutusta syöttöveden paineeseen (vesijohto, karkeasuodatin, lisäesisuodatin).
	Vedenpuhdistuslaitte on pysähtynyt. Puhdasta veden laatu on heikentynyt liikaa.	Uusi vedenpuhdistuslaitte: kalibroi se, katso Complete User manual.  Käytetty vedenpuhdistuslaitte: Irrota pistorasiasta. Liitä uudelleen käynnistääksesi automaattisen huuhtelun. Toista tämä 2 tai 3 kertaa.
	Kalibroitinta ei ole suoritettu oikein	Katso Complete User manual
	Vedenlaatumittari ei toimi oikein..	Irrota vedenpuhdistuslaitte pistorasiasta. Liitä uudelleen käynnistääksesi automaattisen huuhtelun. Älä käytä vedenpuhdistuslaitetta 2 tuntia.

FI

Oire	Syy	Ratkaisu
	Hana on ollut auki yli 15 minuuttia. Vedenpuhdistuslaite on pysähtynyt. (Pro 400B)	Sulje hana ja odota vähintään 30 minuuttia.
		Irrota vedenpuhdistuslaite pistorasiasta. Liitä uudelleen käynnistääksesi automaattisen huuhtelun.
Virtausnopeus puhdasvesihanasta on alhainen.	Puhdasvesiletku on tiukalla tai jumissa.	Varmista, että puhdasvesiletku pääsee liikkumaan vapaasti.
	Vedenpuhdistuslaitteesta on poistettava kattilakivi.	Katso Complete User manual.
Vedenpuhdistuslaite käynnistyy ja pysähtyy uudelleen (lyhyet käynnistykset).	Vedenpaine vedenpuhdistuslaitteen ja hanan/venttiilin/säiliön välillä on alle käynnistyspaineen tason.	Tarkista liittännät.
		Varmista, että vesiletkun päät ovat pyöreät eikä niissä ole jäysteitä.
		Varmista, että hanat ja venttiilit ovat vesitiiviitä, kun ne on suljettu.
Vedenpuhdistuslaitteesta tulee pahaa hajua.	Vedessä on mikrobikasvua, koska vedenpuhdistuslaitteen edellisestä käyttökerrasta on ainakin viikko.	Katso Complete User manual.

## Tuotteen suorituskyky



WQA Gold Seal -merkki todistaa, että Bluewater-vedenpuhdistin on testattu riippumattomasti ja sertifioitu NSF/ANSI 58 -standardin ja CSA-standardin B483.1 mukaisesti. WQA sertifioi tuotteen suorituskyvyn ja tarkastelee valmistuslaitetta ja -menetelmiä tuotteen yhtenäisen laadun ja kestävyuden varmistamiseksi.

Bluewater Pro -vedenpuhdistimen vähennys on testattu NSF/ANSI 58 -standardin mukaisesti alla olevien aineiden suhteen:

- TDS
- Kromi (+3)
- Lyijy
- Arsenikki (+5) (tunnetaan myös nimellä pentavalenttinen arseni, As(+5), As(V) tai arsenaatti).

Järjestelmään saapuvan veden konsentraatio pieneni konsentraatioksi, joka on enintään yhtä suuri kuin järjestelmästä poistuvan veden suurin sallittu raja standardin NSF/ANSI 58 mukaisesti.

Katso lisätietoja suorituskyvyn tietolehdessä osoitteesta [www.bluewatergroup.com](http://www.bluewatergroup.com).

Arsenin tietolomakkeessa, joka löytyy myös osoitteesta [www.bluewatergroup.com](http://www.bluewatergroup.com), löydät tietoa arseenin pelkistystehokkuuteen liittyvistä olosuhteista (+5) ja siitä, miksi muita arseenin muotoja ei ehkä voida poistaa samassa määrin.



# Innhold

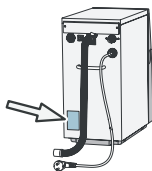
SIKKERHET .....	114
Sikkerhetsanvisninger .....	114
Sikkerhetsinformasjon .....	114
PRODUKTOVERSIKT .....	115
Modeller .....	115
Pro utvendig .....	115
Innsiden av Pro-enheten og utskiftbare deler .....	116
SYSTEMOVERSIKT .....	117
Systembeskrivelse .....	117
Vannproduksjon .....	118
Installasjon .....	119
Lekkasjebeskyttelsesystem .....	119
Lavtrykksbeskyttelse .....	119
VEDLIKEHOLD .....	120
Daglig vedlikehold .....	120
Regelmessig vedlikehold .....	120
TEKNISK INFORMASJON .....	121
FEILSØKING .....	122
Løse enkle problemer .....	122
Produktets funksjon .....	123

## Kundeservice

Se "Feilsøking" for å løse mindre problemer før du kontakter service. Hvis du trenger ekstern kundestøtte, kan det medføre kostnader.

Pass på at du har følgende opplysninger (finnes på spesifikasjonsskiltet) tilgjengelig når du ringer Bluewater:

- Modell
- Produktnummer
- Serienummer



## Miljøinformasjon



80 % av komponentene i vannrenseren og emballasjen er merket for å bidra til riktig resirkulering og kassering. Vannrenseren er mer effektiv når den renser vann i lengre perioder. Eksempel: Ikke fyll et glass med vann. Fyll en mugge i stedet.



Apparater som er merket med dette symbolet må leveres til godkjente returpunkter for kassering av elektrisk og elektronisk utstyr. Dette produktet må ikke kasseres som vanlig husholdningsavfall.

# SIKKERHET

## Sikkerhetsanvisninger

Les sikkerhetsinformasjonen før du installerer eller bruker apparatet. Følg instruksjonene i denne bruksanvisningen for å forebygge personskade og skade på utstyret. I denne bruksanvisningen er FORSIKTIG og MERKNAD brukt til å markere punkter som angår sikker bruk av apparatet.



**FORSIKTIG** identifiserer betingelser som kan forårsake personskade eller skade på utstyret. Følg instruksjonene, og ikke fortsett før alle betingelser er godtatt og aktivert.



En Merknad identifiserer viktig informasjon for problemfri og optimal bruk av vannrenseren.

## Sikkerhetsinformasjon



Bruk bare det bare når lampene "Purification level (Rensenivå) II og/eller III" på kontrollpanelet er tent.



Dette apparatet kan brukes av barn over 8 år. Det kan også brukes av personer med reduserte fysiske, sensoriske eller mentale evner eller mangel på erfaring eller kunnskap, hvis de er under tilsyn eller har fått instruksjoner om sikker bruk av apparatet og forstår farene som bruken medfører.



Ikke reparer eller utfør endringer på deler av vannrenseren. Dette kan føre til at den ikke fungerer som den skal, og kan føre til personskade og skade som ikke dekkes av garantien.



Pro er et omvendt osmose-system. Det inneholder en utskiftbar membran som er svært viktig for effektiv reduksjon av totalt oppløste faste stoffer (TDS). Membranen må skiftes regelmessig.



Bare autorisert personale hos Bluewater kan utføre service og reparasjoner på vannrenseren. Bruk kun originale patroner og deler fra Bluewater. Du finner reservedelskatalog og kontaktinformasjon for kjøp på [www.bluewatergroup.com](http://www.bluewatergroup.com).



Vannet som skal renses må oppfylle kravene i "Teknisk informasjon". Test vannet når vannrenseren er installert, og deretter en gang hvert år. Hvis vannet ikke er rent eller hvis det smaker eller lukter ubehagelig, må det ikke drikkes.



Installasjonen må utføres i henhold til gjeldende praksis og bestemmelser for rørleggerarbeid.



Koble vannrenseren til en jordet strømforsyning. Bruk et støpsel som er lett tilgjengelig etter installasjon. Permanent ledningsarbeid på systemet skal kun utføres av autoriserte elektrikere. Det må monteres en sikkerhetsbryter på systemet. Feil installasjon kan føre til skade eller til at det blir farlig å bruke vannrenseren.



Bruk ikke strømledningen hvis det er synlige tegn på skader på den. Hvis strømledningen er skadet, må den skiftes av en autorisert elektriker for å unngå fare.



Ikke bruk Pro-enheten uten filter. Det kan føre til skade. Filteret kan fjernes når Pro-enheten rengjøres eller settes til oppbevaring.



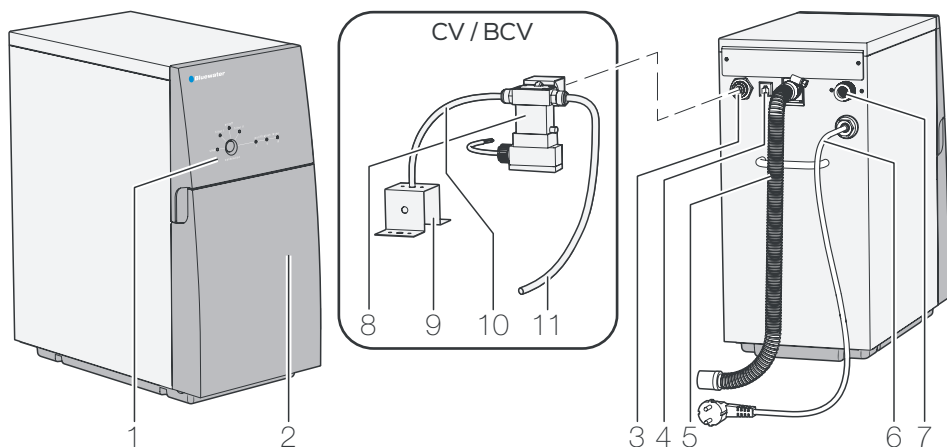
Hvis vannrenseren kobles fra vann- og strømforsyningen i mer enn 5 dager, må den lagres som beskrevet i den fullstendige brukermanualen «Lagring».

# PRODUKTOVERSIKT

## Modeller

Modell	Kan håndtere høyere TDS-verdier, inkludert inntak av brakkevann	Egnet for kommersiell bruk uten automatisk avstengning	Skylleventil for rent vann egnet for miljøer der det kreves ekstra høy vannkvalitet.
Pro 400B-HR	✓		
Pro 400C-HF		✓	
Pro 400C-HR		✓	
Pro 400BC-HR	✓	✓	
Pro 400CV-HR		✓	✓
Pro 400BCV-HR	✓	✓	✓
Pro 600C-HF		✓	
Pro 600CV-HR		✓	✓

## Pro utvendig



NO

Figure 1. Pro utvendig

Pos	Beskrivelse	Pos	Beskrivelse
1	Kontrollpanel	7	Vanntilførselskobling med filtersil
2	Frontdeksel	8	Skylleventil for rent vann (CV-modeller)
3	Tilkobling for rent vann	9	Brakett med luftavstand
4	Elektrisk tilkobling for vannkran (tillegg)	10	Skyllevannslange
5	Tappevannslange	11	Renvannslange
6	Strømledning		

## Kontrollpanel



Se informasjon om kombinasjoner av lysende/blinkende lys i "Feilsøking".

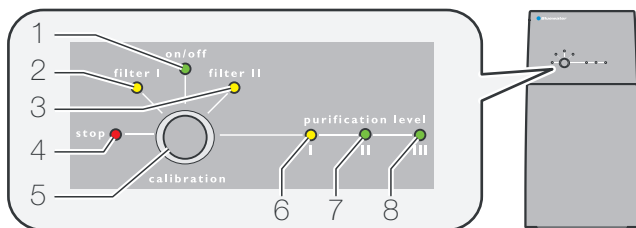


Figure 2. Kontrollpanel

Pos	Lys/knapp	Beskrivelse
1	on/off	Tent: Vannrenseren er tilkoblet strøm Slukket: Vannrenseren er ikke tilkoblet strøm
2	filter I	Tent: Filteret må skiftes. Pro 600: Skift begge Combi-filtrene.
3	filter II	Tent: Filteret må skiftes. Pro 600: Skift begge Combi-filtrene.
4	stop	Blinker/lyser: Noe er galt, se "Feilsøking".
5	calibration	Kalibreringsknapp, ulike funksjoner, se den fullstendige brukermanualen.
6	purification level I	Tent: Rensnivå I-III indikerervannrensenivået. Lavt nivå I til høyt nivå III
7	purification level II	
8	purification level III	

## Innsiden av Pro-enheten og utskiftbare deler

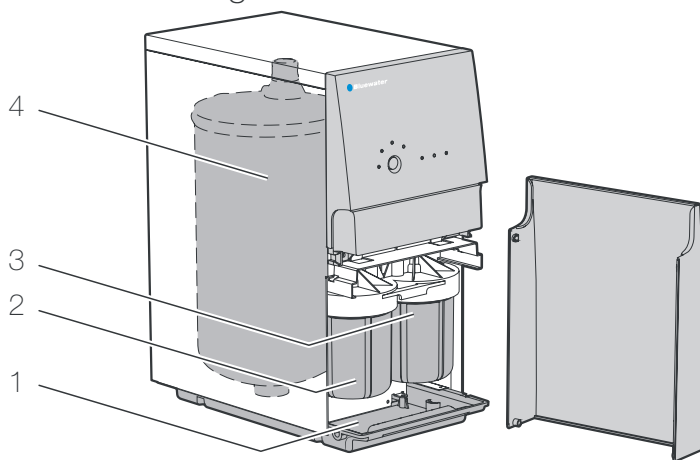
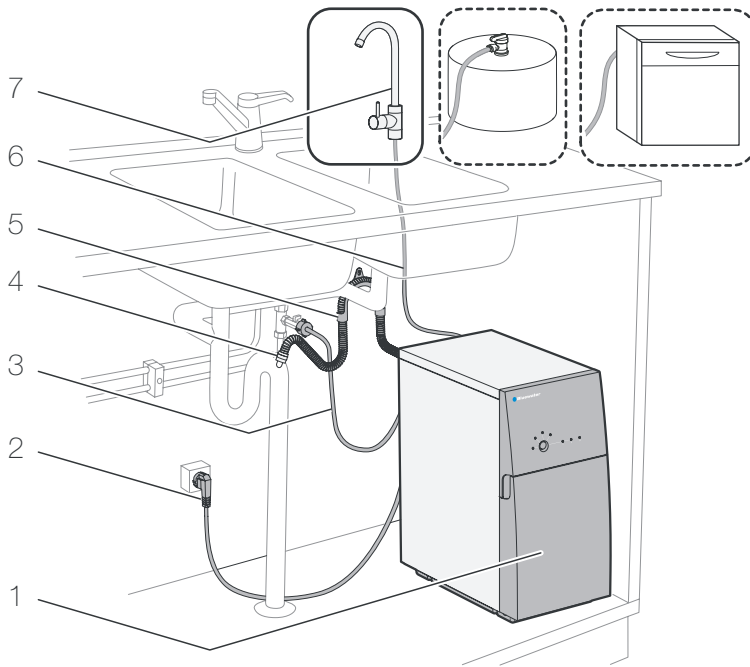


Figure 3. Pro innvendig

Pos	Beskrivelse	Art.-nr.	Pos	Beskrivelse	Art.-nr.
1	Bunnplate		3	Forfilter II, Pro 600: Kombikullblokk	919240005
				Forfilter II, Pro 400: Kullfilter, granulert	919240003
2	Forfilter I, Pro 600: Kombikullblokk	919240005	4	Omvendt osmose-membran	
	Forfilter I, Pro 400: Sedimentfilter	919240002		Membranservicesett, type HR (High Rejection)	150718900-SP
				Membranservicesett, type HF (High Flow)	150718901-SP

# SYSTEMOVERSIKT

## Systembeskrivelse



NO

Figure 4. Systemoversikt, et eksempel på en Pro-installasjon

Pos	Beskrivelse	Pos	Beskrivelse
1	Vannrenser	5	Brakett for tappevannslange
2	Strømledning	6	Slange for renset vann
3	Vannforsyningslange	7	Vannkran for renset vann (valgfri Pro 400-serie)
4	Tappevannslange, installert med vannlås		

# Vannproduksjon



Bruk det rensede vannet kun når lampene "Purification level (Rensnivå) II og/ eller III" på kontrollpanelet er tent. Det kan ta opptil 60 sekunder før vannrenseren indikerer god vannkvalitet.



For modeller som er egnet for kommersiell bruk, kan kranen erstattes med f.eks. en ventil eller en tank.

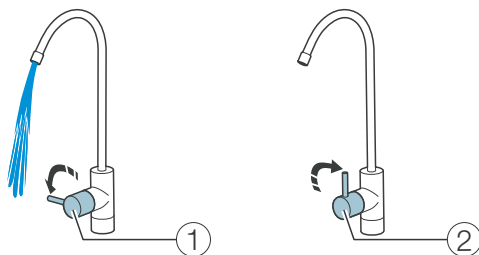


Figure 5. Vannproduksjon på/av

## Automatisk spyling



Spyleprosessens varighet varierer mellom 5 og 120 sekunder, avhengig av hvor lenge den siste vanntappingen varte.

En automatisk spyling utføres hvis én av betingelsene nedenfor er oppfylt:

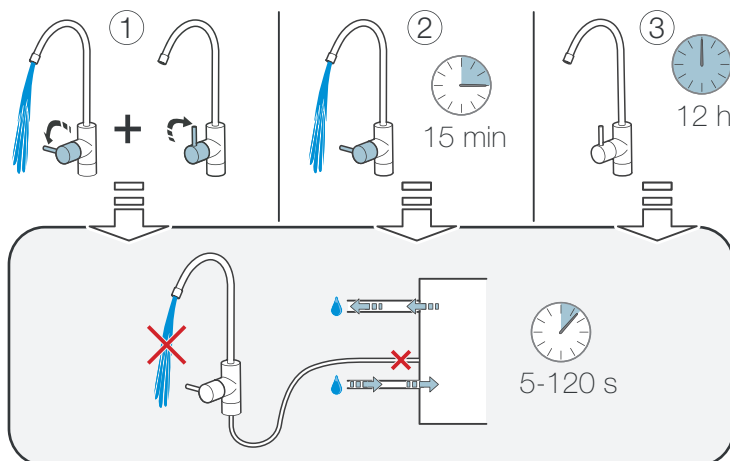


Figure 6. Automatisk spyling

Pos	Beskrivelse
1	Spyling etter tapping av vann. Hver gang etter tapping av vann.
2	Spyl ved tapping av vann. Etter maksimal driftstid på 15 minutter (Pro 400B må startes på nytt manuelt)
3	Vannrenser i ventemodus. Pro er tilkoblet vann og strøm. Spyling utføres hver 12. time uavhengig av når det sist ble produsert rent vann.

## Installasjon



Pro-enheten skal ikke levere vann til alle kranene i huset. Det kan føre til korrosjon i vannrørene og varmtvannsberederen. Garantien på Pro-enheten er ugyldig hvis den ikke monteres riktig.



Installasjonen må utføres i henhold til gjeldende praksis og bestemmelser for rørleggerarbeid.



Vannrenseren skal bare kobles til kaldt vann. Vannet må være av tilstrekkelig kvalitet og oppfylle kravene til tilførselsvann.



Vi anbefaler at vannrenseren installeres av en fagperson som er anbefalt av en autorisert Bluewater-forhandler. Installasjonsanvisning er tilgjengelig i Complete User manual på [www.bluewatergroup.com](http://www.bluewatergroup.com).

## Lekkasjebeskyttelsesystem

En føler nederst på vannrenseren registrerer eventuell vannlekkasje. Hvis en lekkasje oppstår, stoppes vanntilførselen. Vannrenseren kan ikke startes igjen før lekkasjen er reparert.

## Lavtrykksbeskyttelse



Hvis Pro-enheten stopper på grunn av lavt trykk, må årsaken til det lave trykket fjernes. Hvis ikke kan pumpen bli permanent skadet.

NO



Hvis Pro-enheten har stoppet på grunn av et problem med lavt trykk (vanntilførsel), kan vannproduksjonen startes manuelt ved å trykke på kalibreringsknappen.

## Lavtrykks-omstartfunksjon



Finnes bare på modeller som er egnet for kommersiell bruk.

Lavtrykksomstart er en funksjon som sikrer maksimalt tilgjengelig vann.

Pro starter automatisk når den har stoppet på grunn av lavt trykk. Den prøver å starte tre ganger: Etter 3 minutter, etter 20 minutter og etter 4 timer. Hvis vanntrykket ikke er tilstrekkelig etter tre forsøk, stopper Pro-enheten.

# VEDLIKEHOLD

## Daglig vedlikehold

### Kontroller indikatorlampene

Trinn	Tiltak
1	Kontroller at lampene på kontrollpanelet ikke er tent eller blinker.

### Rengjøre vannrenseren



Bruk ikke kjemikalier til å rengjøre overflaten. Alkohol, bensin, organisk eller uorganisk syre, sterkt basiske kjemikalier (for eksempel konsentrert oppvaskmiddel) forårsaker skade på overflaten.



Bruk ikke harde eller skarpe redskaper til å rengjøre vannrenseren.

Trinn	Tiltak
1	Rengjør den utvendige overflaten med en myk, fuktig klut og en mild såpeoppløsning for å fjerne støv, flekker og smuss.
2	Tørk med en myk, tørr klut.

## Regelmessig vedlikehold



Regelmessig vedlikehold er viktig for at apparatet skal fungere som det skal og for lang levetid. Vedlikehold skal kun utføres av kvalifiserte og autoriserte personer.



Se instruksjoner for vedlikehold i Complete User manual på [www.bluewatergroup.com](http://www.bluewatergroup.com)

Hyppighet	Beskrivelse
1 måned	Kontroller tilkoblinger Tørk kondens bort fra bunnplaten.
4-6 måneder*	Skift filtrene. Skift filtrene etter 4-6 måneder eller 37 850 liter (10 000 gallons) med rensset vann, avhengig av hva som inntreffer først.
6 måneder*	Avkalking
1 år	Test vannet årlig. Ikke drikk vannet hvis det ikke er rent. Kontakt en Bluewater-forhandler.
4-6 år*	Skift omvendt osmose-membranen (kontakt Bluewater-forhandleren)

\*Hyppighet avhenger av vannkvalitet og bruk



# TEKNISK INFORMASJON

		Mål BxHxD	Vekt	Effekt	Strømforsyning, jordet	Renset vann, flytmengde	Lydnivå
Pro 400B-HR	230V	225x466x460 mm	29 kg	530 W	230V, 50-60 Hz	6908 liter/dag (1825 gallons/dag)	< 60 dB(A)
	120V	8.9x18.3x18.1 *	64 lbs	6 Amp	120V, 60 Hz		
Pro 400C-HF	230V	225x466x460 mm	29 kg	530 W	230V, 50-60 Hz	6908 liter/dag (1825 gallons/dag)	< 60 dB(A)
	120V	8.9x18.3x18.1 *	64 lbs	6 Amp	120V, 60 Hz		
Pro 400C-HR	230V	225x466x460 mm	29 kg	530 W	230V, 50-60 Hz	6908 liter/dag (1825 gallons/dag)	< 60 dB(A)
	120V	8.9x18.3x18.1 *	64 lbs	6 Amp	120V, 60 Hz		
Pro 400BC-HR	230V	225x466x460 mm	29 kg	530 W	230V, 50-60 Hz	6908 liter/dag (1825 gallons/dag)	< 60 dB(A)
	120V	8.9x18.3x18.1 *	64 lbs	6 Amp	120V, 60 Hz		
Pro 400CV-HR	230V	225x466x470 mm	29 kg	530 W	230V, 50-60 Hz	6908 liter/dag (1825 gallons/dag)	< 60 dB(A)
	120V	8.9x18.3x18.5 *	64 lbs	6 Amp	120V, 60 Hz		
Pro 400BCV-HR	230V	225x466x470 mm	29 kg	530 W	230V, 50-60 Hz	6908 liter/dag (1825 gallons/dag)	< 60 dB(A)
	120V	8.9x18.3x18.5 *	64 lbs	6 Amp	120V, 60 Hz		
Pro 600C-HF	230V	225x466x460 mm	29 kg	720 W	230V 50-60 Hz	6908 liter/dag (1825 gallons/dag)	< 60 dB(A)
Pro 600CV-HR	230V	225x466x470 mm	29 kg	720 W	230V 50-60 Hz	6908 liter/dag (1825 gallons/dag)	< 60 dB(A)

## Krav til vanntilførselen til vannrenseren

NO

		Temperatur	Trykk i vannforsyningen.	Vannmengde	TDS (Total Dissolved Solids) [ppm]	Ledsevne [µS/cm, 25 °C (77 °F)]	Hardhet	Jern Fe <sup>2+</sup> /Fe <sup>3+</sup> [mg/l]	Turbiditet [FNU]
Pro 400B-HR	230V	2-30 °C	2-10 bar	> 8 l/min	< 7500	< 13 000	< 20 °dH	< 1.5/< 0.3	< 0.5
Pro 400BC-HR	120V	36-86 °F	29-145 psi	> 2.1 gal/min					
Pro 400BCV-HR		36-86 °F	29-145 psi	> 2.1 gal/min	< 20.9 grains/gal				
Pro 400C-HF	230V	2-35 °C	2-10 bar	> 8 l/min	< 1500	< 2000	< 20 °dH	< 1.5/< 0.3	< 0.5
Pro 400C-HR	120V	36-95 °F	29-145 psi	> 2.1 gal/min					
Pro 400CV-HR		36-95 °F	29-145 psi	> 2.1 gal/min	< 20.9 grains/gal				
Pro 600C-HF	230V	2-35 °C	2.5-10 bar	> 10 l/min	< 1500	< 2000	< 20 °dH	< 1.0/< 0.3	< 0.5
Pro 600CV-HR									



Må ikke brukes med vann som er mikrobiologisk usikkert eller av ukjent kvalitet uten tilstrekkelig desinfeksjon før eller etter systemet.



Skal bare kobles til kaldt vann. Temperaturgrensene er angitt i tabellen «Krav til vanntilførselen til vannrenseren».



Se mer informasjon på [www.bluewatergroup.com](http://www.bluewatergroup.com)

Se mer informasjon om sertifiseringer under «Produktets funksjon».

# FEILSØKING

## Løse enkle problemer




Hvis Pro-enheten stopper på grunn av en nødsituasjon, kobler du fra strømmen og kobler den til igjen, eller trykker kalibreringsknappen for å tilbake stille nødstoppen.



Hvis det oppstår mer alvorlige problemer, ser du Complete User manual på [www.bluewatergroup.com](http://www.bluewatergroup.com)

Symptom	Årsak	Løsning
	Filter I må skiftes. Pro 600: Skift begge Combi-filtrene.	Se Complete User manual
	Filtersilen er tett.	Se Complete User manual
	For lavt trykk i vanntilførselen.	Sørg for tilstrekkelig trykk i vanntilførselen. Øk om nødvendig trykket.
	Filter II må skiftes. Pro 600: Skift begge Combi-filtrene.	Se Complete User manual
	For lavt trykk i vanntilførselen. Vannrenseren har stoppet. Den venter, og må startes på nytt.	Vannrenseren prøver å starte automatisk. Sørg for tilstrekkelig trykk i vanntilførselen. Skift om nødvendig filtrene. Se Complete User manual
	Trykk på kalibreringsknappen for å starte vannrenseren. Slipp knappen når lampen filter I og stop-lampen slukkes.	
	filter I eller filter II er tett.	Kontroller at det ikke sitter noe i filteret som hindrer vannstrømmen. Skift filtrene hvis det er nødvendig. Se Complete User manual
	Filtersilen er tett.	Se Complete User manual
	Det er vannlekkasje eller kondens på bunnplaten.	Kontroller at alle tilkoblinger er vanntette. Vipp vannrenseren fremover og tørk av bunnplaten med en klut.
	For lavt trykk i vanntilførselen.	Installer en pumpe med økt trykk i vanntilførselen.
	Vannrenseren har stoppet. Kvaliteten på det rensede vannet er blitt for lav.	Ny vannrenser: Kalibrer den, se Complete User manual.
	Brukt vannrenser: Koble fra strømforsyningen. Koble den til igjen for å starte den automatiske spylingen. Gjør dette 2 eller 3 ganger.	
	Kalibreringen er ikke riktig utført	Se Complete User manual
	Vannkvalitetsmåleren fungerer ikke som den skal.	Koble vannrenseren fra strømforsyningen. Koble den til igjen for å starte den automatiske spylingen. Ikke bruk vannrenseren på 2 timer.

Symptom	Årsak	Løsning
	Vannkranen har vært på i mer enn 15 minutter. Vannrenseren har stoppet. (Pro 400B)	Skru av kranen og vent minst 30 minutter. Koble vannrenseren fra strømforsyningen. Koble den til igjen for å starte den automatiske spylingen.
	Vannmengden fra kranen for rensset vann er lav.	Slangen for rensset vann er belastet eller ligger i klem. Vannrenseren må avkalkes.
Vannrenseren starter og stopper igjen (kort start).	Vanntrykket mellom vannrenseren og kranen/Ventilen/tanken er under starttrykknivået.	Undersøk tilkoblingene. Kontroller at endene på vannslangen er runde og ikke har ujevnheter. Kontroller at kranene og ventilene er vanntette når de er stengt.
Det kommer ubehagelig lukt fra vannrenseren.	Mikrobevekst i vannet på grunn av at vannrenseren ikke er brukt på en uke eller mer.	Se Complete User manual

## Produktets funksjon



NO

WQA Gold Seal beviser at vannrenseren er uavhengig testet og sertifisert i henhold til NSF/ANSI 58 og CSA-standard B483.1. WQA sertifiserer produktets funksjon og kontrollerer fabrikken for å sikre produktenes konsistens og integritet.

Bluewater Pro vannrenser er testet i henhold til NSF/ANSI 58 for reduksjon av stoffene som er angitt nedenfor.

- TDS
- Krom(+3)
- Bly
- Arsenikk(+5) (også kalt pentavelent arsenikk, As(+5), As(V) eller arsenat).

Konsentrasjonen av de angitte stoffene i vannet som kommer inn i systemet er redusert til en konsentrasjon som er lik eller lavere enn den tillatte grensen for vannet som kommer ut av systemet, som spesifisert i NSF/ANSI 58.

Se flere detaljer i produktdatabladet på [www.bluewatergroup.com](http://www.bluewatergroup.com).

I faktabladet for arsenikk, som også er tilgjengelig på [www.bluewatergroup.com](http://www.bluewatergroup.com), finner du informasjon om vilkår i forbindelse med reduksjonseffekten for arsenikk(+5), samt årsaken til at andre former for arsenikk kanskje ikke fjernes i samme omfang.

# Indhold

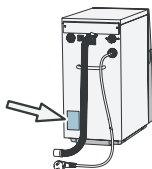
SIKKERHED .....	125
Sikkerhedsforskrifter .....	125
Sikkerhedsoplysninger .....	125
PRODUKTOVERSIGT .....	126
Modeller .....	126
Pro, udvendigt .....	126
Pro set indefra og udskiftningskomponenter .....	127
SYSTEMOVERSIGT .....	128
Systembeskrivelse .....	128
Vandproduktion .....	129
Installation .....	130
Lækagebeskyttelsessystem .....	130
Lavtryksbeskyttelse .....	130
VEDLIGEHOLDELSE .....	131
Daglig vedligeholdelse .....	131
Regelmæssig vedligeholdelse .....	131
TEKNISKE OPLYSNINGER .....	132
FEJLFINDING .....	133
Sådan løses ukomplicerede problemer .....	133
Produktdeevne .....	134

## Kundeservice

Se "Fejlfinding" for at løse mindre problemer, før du ringer til kundeservice. Hvis du har brug for ekstern service, kan det koste penge.

Sørg for at have følgende data (som du finder på datapladen) klar, når du ringer til Bluewater.

- Model
- Varenr.
- Serienr.



## Miljøoplysninger



80 % af vandrenserens komponenter og emballagen er udstyret med et mærkat med oplysninger om korrekt genbrug og bortskaffelse. Vandrenseren er mere effektiv, når den renser vand i længere perioder. Eksempel: Fyld ikke kun et enkelt glas med vand. Fyld en kande.



Apparater, der er udstyret med dette symbol, skal bortskaffes på det angivne lokale modtagelsessted til bortskaffelse af elektrisk og elektronisk udstyr.  
Dette produkt må ikke bortskaffes sammen med normalt husholdningsaffald.

# SIKKERHED

## Sikkerhedsforskrifter

Før du installerer eller bruger enheden, skal du læse sikkerhedsoplysningerne. Følg instruktionerne i denne vejledning for at forhindre personskade eller skader på udstyret. Denne vejledning indeholder FORSIGTIG-mærkninger og BEMÆRKNINGER, der gælder sikker drift af enheden.



En FORSIGTIG-mærkning angiver forhold, der kan forårsage personskade eller skade på udstyret. Følg instruktionerne, og fortsæt ikke, før alle forhold er accepteret og overholdt.



En BEMÆRKNING angiver oplysninger, der er vigtige i forhold til problemfri og optimal brug af vandrenseren.

## Sikkerhedsoplysninger



Brug kun det rensede vand, når lamperne "Purification level II og/eller III" på kontrolpanelet lyser.



Dette apparat kan anvendes af børn over 8 år. Det kan også anvendes af personer med nedsatte fysiske, sansemæssige eller mentale evner eller manglende erfaring og viden, hvis de er under opsyn eller er blevet instrueret i sikker brug af apparatet og forstår de farer, det indebærer.



Undlad at reparere eller ændre dele af vandrenseren. Det kan bevirke, at den ikke fungerer korrekt og kan medføre personskade og skader, der ikke er dækket af garantien.



Pro er et omvendt osmose-system. Det indeholder en udskiftelig membran, som er meget vigtig for en effektiv reduktion af TDS (renhedsgraden). Udskift denne membran med jævne mellemrum.



Service og reparation af vandrenseren må kun udføres af autoriserede Bluewater-medarbejdere. Anvend kun originale patroner og reservedele fra Bluewater. For reservedelskataloget og kontaktoplysninger vedrørende salg kan du se [www.bluewatergroup.com](http://www.bluewatergroup.com).



Det vand, der skal renses, skal overholde kravene i "Tekniske oplysninger. Test vandet, når vandrenseren er installeret, og derefter én gang hvert år. Undlad at drikke vandet, hvis det ikke er rent, eller hvis det smager eller lugter dårligt.



Installationen skal overholde de gældende lokale regler og forskrifter for VVS-installationer.



Slut vandrenseren til en jordforbundet elforsyning. Brug et stik, der er nem adgang til efter installation. Permanent ledningsføring af systemet må kun udføres af en autoriseret elektriker. Der skal være installeret en sikkerhedsafbryder på systemet. Forkert installation kan resultere i skader eller at vandrenseren bliver farlig at bruge.



Anvend ikke strømmedningen, hvis den har synlige tegn på skader. Hvis strømmedningen er beskadiget, skal en autoriseret elektriker udskifte den for at undgå fare.



Anvend ikke Pro uden et filter. Hvis der ikke bruges filter, kan det forårsage skader. Når Pro rengøres eller sættes til opmagasinering, kan filteret fjernes.



Hvis vandrenseren frakobles vand og el i mere end fem dage, skal den opbevares som beskrevet under "Opbevaring" i vores Complete User Manual.

DA

# PRODUKTOVERSIGT

## Modeller

Model	Kan håndtere højere TDS, inklusive brakvand som indløbsvand	Velegnet til kommerciel brug uden automatisk afbrydelse	Renseventilen til rent vand er velegnet til miljøer, hvor der kræves ekstra høj vandkvalitet
Pro 400B-HR	✓		
Pro 400C-HF		✓	
Pro 400C-HR		✓	
Pro 400BC-HR	✓	✓	
Pro 400CV-HR		✓	✓
Pro 400BCV-HR	✓	✓	✓
Pro 600C-HF		✓	
Pro 600CV-HR		✓	✓

## Pro, udvendigt

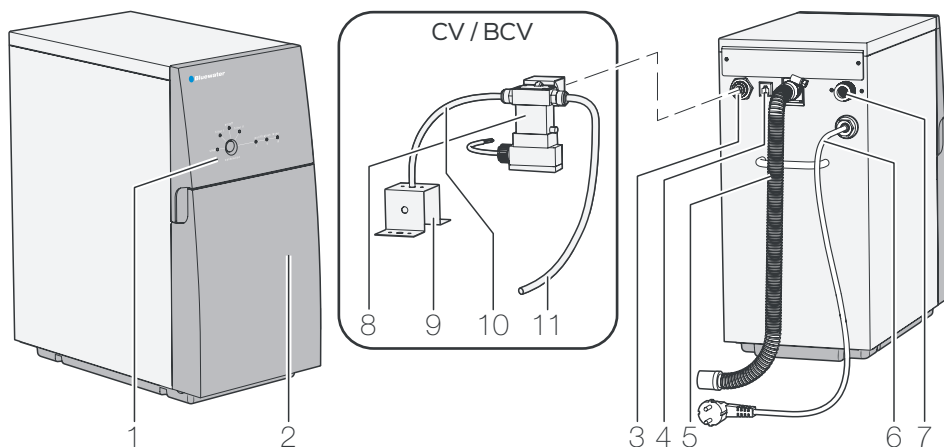


Figure 1. Pro, udvendigt

Pos.	Beskrivelse	Pos.	Beskrivelse
1	Kontrolpanel	7	Fødevandstilslutning med netfilter
2	Frontdæksel	8	Renseventil til rent vand (CV-modellerne)
3	Tilslutning til rent vand	9	Luftafstandsbeslag
4	Ettilslutning til hane (tilvalg)	10	Rensevandsslange
5	Afledningsvandsslange	11	Rentvandsslange
6	Strømledning		

## Kontrolpanel



Se "Fejlfinding" for oplysninger om kombinationerne af lamper, der blinker/lyser.

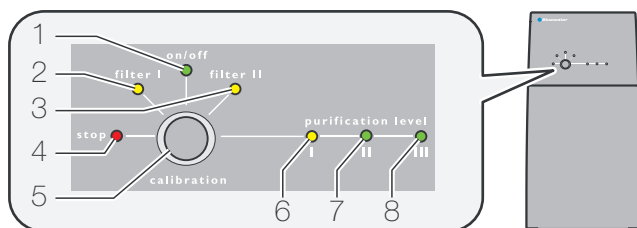


Figure 2. Kontrolpanel

Pos.	Lysindikator/knap	Beskrivelse
1	on/off	Tændt: Vandrenseren er tilsluttet strøm Slukket: Vandrenseren er ikke tilsluttet strøm
2	filter I	Tændt: Filteret skal udskiftes. Pro 600: Udskift begge Combi-filtre.
3	filter II	Tændt: Filteret skal udskiftes. Pro 600: Udskift begge Combi-filtre.
4	stop	Blinker/lyser: Der er noget galt, se "Fejlfinding".
5	calibration	Knappen calibration (kalibrering), forskellige funktioner, se vores Complete User Manual.
6	purification level I	Tændt: Purification level (renhedsniveau) I-III angiver renhedsniveauet for det rene vand. Lavt niveau er I, højt niveau er III
7	purification level II	
8	purification level III	

## Pro set indefra og udskiftningskomponenter

DA

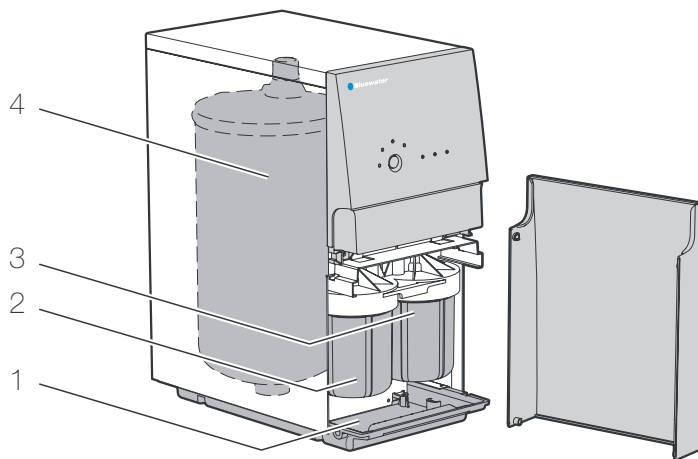


Figure 3. Pro, indvendigt

Pos.	Beskrivelse	Artikelnr.	Pos.	Beskrivelse	Artikelnr.
1	Bundplade		3	Forfilter II, Pro 600: Combi-kulblok	919240005
				Forfilter II, Pro 400: Kulfilter, granuleret	919240003
2	Forfilter I, Pro 600: Combi-kulblok	919240005	4	Omvendt osmose-membran	
	Forfilter I, Pro 400: Sedimentfilter	919240002		Servicekit til membran, HR-type (High Rejection)	150718900-SP
				Servicekit til membran, HF-type (High Flow)	150718901-SP

# SYSTEMOVERSIGT

## Systembeskrivelse

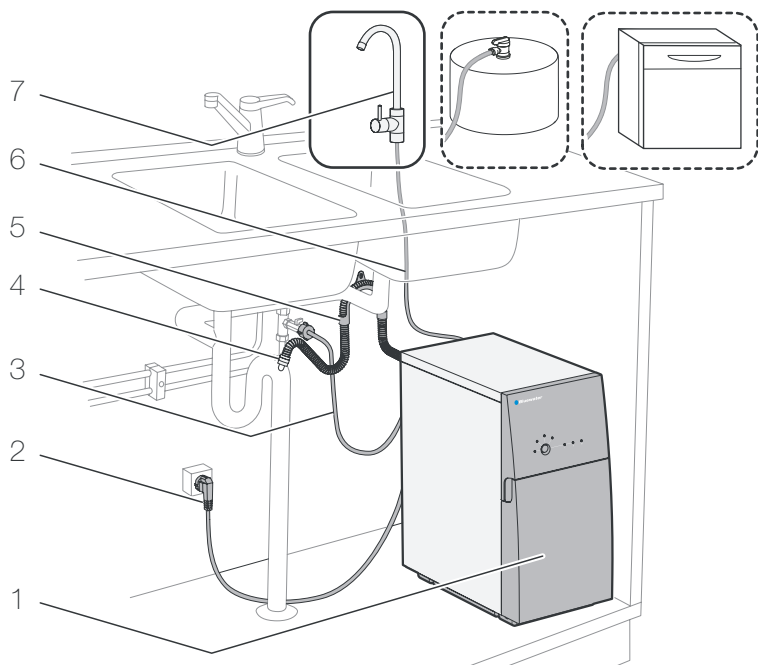


Figure 4. Systemoversigt – et eksempel på en Pro-installation

Pos.	Beskrivelse	Pos.	Beskrivelse
1	Vandrensér	5	Beslag til aflødningsvandsslange
2	Strømledning	6	Rentvandsslange
3	Fødevandsslange	7	Rentvandshane (tilvalg Pro 400-serien)
4	Aflødningsvandsslange, installeret med en luftafstand		



# Vandproduktion



Brug kun det rensede vand, når lamperne "Purification level II og III" på kontrolpanelet lyser. Det kan tage op til 60 sekunder, før vandrenseren angiver god vandkvalitet.



På modeller, der er velegnede til kommercielt brug, kan hanen udskiftes med eksempelvis en ventil eller en vandtank.

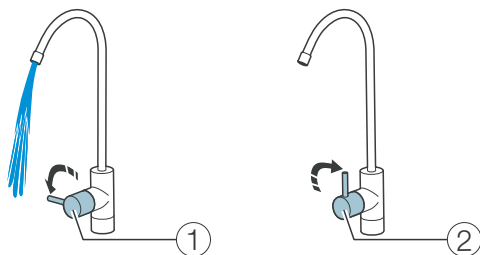


Figure 5. Vandproduktion til/fra

## Automatisk skylning



Varigheden af skylningsprocessen varierer mellem 5 og 120 sekunder afhængigt af varigheden af den foregående vandåftapning.

Der vil blive udført en automatisk skylning, hvis en af følgende betingelser er opfyldt:

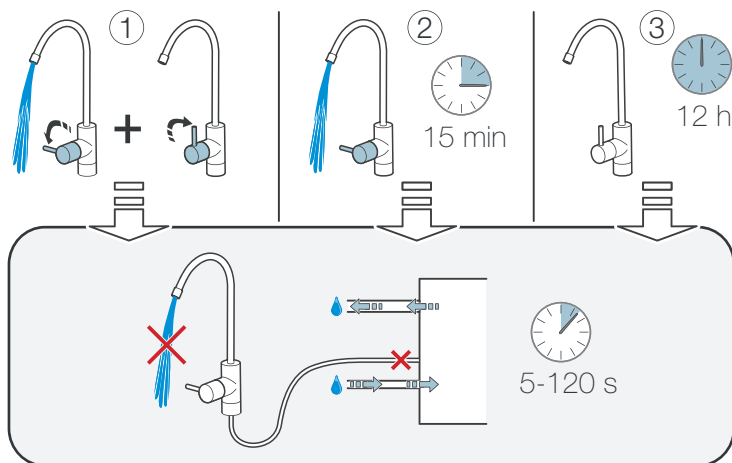


Figure 6. Automatisk skylning

Pos.	Beskrivelse
1	Skylling efter tapning af vand. Hver gang efter tapning af vand.
2	Skylling under tapning af vand. Efter maksimal driftstid på 15 minutter. (Pro 400B skal genstartes manuelt).
3	Vandrenseren er i standbytilstand. Pro er tilsluttet vand og strøm. Skylling udføres for hver 12 timer, uanset hvornår der senest blev produceret rent vand.

## Installation



Pro må ikke levere vand til alle haner i huset. Det kan forårsage korrosion i vandrørene og vandvarmerne.  
Hvis Pro ikke installeres korrekt, dækker garantien ikke.



Installationen skal overholde de gældende lokale regler og forskrifter for WVS-installationer.



Slut kun vandrenseren til koldt vandforsyningen. Vandet skal være af en tilstrækkelig kvalitet og leve op til kravene for fødevand.



Vi anbefaler, at vandrenseren installeres af en professionel, som er anbefalet af en autoriseret Bluewater-forhandler.  
Installationsanvisninger findes i vores Complete User Manual og på [www.bluewatergroup.com](http://www.bluewatergroup.com).

## Lækagebeskyttelsessystem

En føler i bunden af vandrenseren registrerer vandlækager. Hvis der er en lækage, standses fødevandsforsyningen. Vandrenseren kan ikke startes igen, før lækagen er repareret.

## Lavtryksbeskyttelse



Hvis Pro stopper på grund af lavt tryk, skal årsagen til det lave tryk findes og udbedres. Hvis ikke, kan der opstå permanent skade på pumpen.



Når Pro er stoppet på grund af problemer med lavt tryk (fødevand), kan vandproduktionen startes manuelt ved at trykke på kalibreringsknappen.

## Funktionen lavtryksgenstart



Er kun inkluderet på modeller, der er velegnede til kommercielt brug.

Lavtryksgenstarten er en funktion, der sikrer maksimal tilgængelighed af vand.

Pro starter automatisk, når den har været stoppet på grund af lavt tryk. Den forsøger at starte tre gange: efter 3 minutter, efter 20 minutter og efter 4 timer. Hvis vandtrykket ikke er tilstrækkeligt højt efter tre forsøg, stopper Pro.

# VEDLIGEHOJDELSE

## Daglig vedligeholdelse

### Kontrol af lysindikatorer

Trin	Handling
1	Kontrollér, at lampene på kontrolpanelet ikke lyser eller blinker.

### Rengøring af vandrenseren



Undlad at bruge kemikalier til rengøring af overfladen. Sprit, benzin, organiske og uorganiske syrer samt stærkt basiske kemikalier (såsom koncentreret opvaskemiddel) vil forårsage skader på overfladen.



Undlad at bruge hårde eller skarpe genstande til rengøring af vandrenseren.

Trin	Handling
1	Rengør den udvendige overflade med en blød, fugtig klud og en svag sæbeopløsning for at fjerne støv, pletter og snavs.
2	Rengør med en blød, tør klud.

## Regelmæssig vedligeholdelse



Regelmæssig vedligeholdelse er vigtig for at opretholde korrekt funktion og lang levetid. Vedligeholdelsen må kun udføres af uddannet og godkendt personale.



For anvisninger vedr. vedligeholdelse henvises der til vores Complete User Manual på [www.bluewatergroup.com](http://www.bluewatergroup.com)

Hyppighed	Beskrivelse
1 måned	Kontrollér tilslutninger
	Tør kondens af bundpladen.
4-6 måneder*	Udskift filtrene. Udskift filtrene efter det, der kommer først: 4-6 måneder eller 37.850 l (10 000 gal) rensat vand.
6 måneder*	Afkalkning
1 år	Test vandet en gang om året. Undlad at drikke vandet, hvis det ikke er rent. Kontakt en Bluewater-forhandler.
4-6 år*	Udskift omvendt osmose-membranen (kontakt din Bluewater-forhandler)

\*Hyppighed afhænger af vandkvalitet og -forbrug

DA

# TEKNISKE OPLYSNINGER

		Størrelse BxHxD	Vægt	Effekt	Strømforsyning, jordet	Flowhastighed for rensat vand	Lydniveau
Pro 400B-HR	230V	225x466x460 mm	29 kg	530 W	230V, 50-60 Hz	6.908 liter/dag (1825 gallon/dag)	< 60 dB(A)
	120V	8.9x18.3x18.1 "	64 lbs	6 Amp	120V, 60 Hz		
Pro 400C-HF	230V	225x466x460 mm	29 kg	530 W	230V, 50-60 Hz	6.908 liter/dag (1825 gallon/dag)	< 60 dB(A)
	120V	8.9x18.3x18.1 "	64 lbs	6 Amp	120V, 60 Hz		
Pro 400C-HR	230V	225x466x460 mm	29 kg	530 W	230V, 50-60 Hz	6.908 liter/dag (1825 gallon/dag)	< 60 dB(A)
	120V	8.9x18.3x18.1 "	64 lbs	6 Amp	120V, 60 Hz		
Pro 400BC-HR	230V	225x466x460 mm	29 kg	530 W	230V, 50-60 Hz	6.908 liter/dag (1825 gallon/dag)	< 60 dB(A)
	120V	8.9x18.3x18.1 "	64 lbs	6 Amp	120V, 60 Hz		
Pro 400CV-HR	230V	225x466x470 mm	29 kg	530 W	230V, 50-60 Hz	6.908 liter/dag (1825 gallon/dag)	< 60 dB(A)
	120V	8.9x18.3x18.5 "	64 lbs	6 Amp	120V, 60 Hz		
Pro 400BCV-HR	230V	225x466x470 mm	29 kg	530 W	230V, 50-60 Hz	6.908 liter/dag (1825 gallon/dag)	< 60 dB(A)
	120V	8.9x18.3x18.5 "	64 lbs	6 Amp	120V, 60 Hz		
Pro 600C-HF	230V	225x466x460 mm	29 kg	720 W	230V 50-60 Hz	6.908 liter/dag (1825 gallon/dag)	< 60 dB(A)
Pro 600CV-HR	230V	225x466x470 mm	29 kg	720 W	230V 50-60 Hz	6.908 liter/dag (1825 gallon/dag)	< 60 dB(A)

## Krav til fødevand til vandrenser

		Temperatur	Fødevandstryk	Vandflow	TDS (Total Dissolved Solids) [ppm]	Leedingsevne [µS/cm, 25 °C (77 °F)]	Hårdhed	Jern Fe <sup>2+</sup> /Fe <sup>3+</sup> [mg/l]	Uklarhed [FNU]
Pro 400B-HR	230V	2-30 °C	2-10 bar	> 8 l/min	< 7500	< 13 000	< 20 °dH	< 1.5/< 0.3	< 0.5
Pro 400BC-HR	120V	36-86 °F	29-145 psi	> 2.1 gal/min					
Pro 400BCV-HR	120V	36-86 °F	29-145 psi	> 2.1 gal/min	< 1500	< 2000	< 20 °dH	< 1.5/< 0.3	< 0.5
Pro 400C-HF	230V	2-35 °C	2-10 bar	> 8 l/min					
Pro 400C-HR	230V	2-35 °C	2-10 bar	> 8 l/min	< 1500	< 2000	< 20 °dH	< 1.5/< 0.3	< 0.5
Pro 400CV-HR	120V	36-95 °F	29-145 psi	> 2.1 gal/min					
Pro 600C-HF	230V	2-35 °C	2.5-10 bar	> 10 l/min	< 1500	< 2000	< 20 °dH	< 1.0/< 0.3	< 0.5
Pro 600CV-HR	230V	2-35 °C	2.5-10 bar	> 10 l/min	< 1500	< 2000	< 20 °dH	< 1.0/< 0.3	< 0.5



Må ikke bruges med vand, som ikke er mikrobiologisk sikkert, eller der er af en ukendt kvalitet, uden tilstrækkelig desinficering før eller efter systemet.



Slut kun til koldtandsforsyningen. Temperaturgrænserne findes i tabellen "Krav til fødevand til vandrenser".



Se mere detaljerede oplysninger, se [www.bluewatergroup.com](http://www.bluewatergroup.com)

Yderligere information om certificeringer findes under "Produktdeevne".

# FEJLFINDING

## Sådan løses ukomplicerede problemer




Hvis Pro stopper på grund af en nødsituation, skal du frakoble strømmen og derefter tilslutte strømmen igen. Tryk alternativt på kalibreringsknappen for at nulstille nødstoppet.



Ved mere alvorlige problemer, se vores Complete User Manual på [www.bluewatergroup.com](http://www.bluewatergroup.com)

Symptom	Årsag	Løsning
	Filter I skal udskiftes. Pro 600: Udskift begge Combi-filtre.	Se vores Complete User Manual
	Netfilteret er blokeret.	Se vores Complete User Manual
	Fødevandstrykket er for lavt.	Sørg for, at fødevandstrykket er tilstrækkeligt. Øg om nødvendigt trykket.
	Filter II skal udskiftes. Pro 600: Udskift begge Combi-filtre.	Se vores Complete User Manual
	Fødevandstrykket er for lavt. Vandrenseren er stoppet. Den venter, og skal genstartes.	Vandrenseren vil forsøge at starte automatisk. Sørg for, at fødevandstrykket er tilstrækkeligt. Udskift om nødvendigt filtrene. Se vores Complete User Manual.
		Tryk på kalibreringsknappen for at starte vandrenseren. Slip knappen, når lampen for filter I lyser og lampen stop slukker.
	Filter I og filter II er blokeret.	Kontrollér, at der ikke er noget i filteret, der bevirker, at vandet ikke flyder. Udskift om nødvendigt filtrene. Se vores Complete User Manual.
	Nettet er blokeret.	Se vores Complete User Manual
	Der er en vandlækage eller kondens på bundpladen.	Kontrollér, at alle tilslutninger er vandtætte. Vip vandrenseren fremad, og aftør bundpladen med en klud.
	Fødevandstrykket er for lavt.	Installer en pumpe med større tryk til fødevandet. Udfør en kontrol af de dele, der påvirker fødevandstrykket (vandledningen, det grove filter, det ekstra forfilter).
	Vandrenseren er standset. Kvaliteten af det rensede vand er blevet for lav.	Ny vandrenser: Kalibrer den, se vores Complete User Manual. Brugt vandrenser: Kobl den fra strøm. Tilslut den igen for at starte den automatiske skyllning. Gør det to eller tre gange.
	Kalibrering er ikke udført korrekt	Se vores Complete User Manual
	Vandkvalitetsmåleren fungerer ikke korrekt.	Kobl vandrenseren fra strøm. Tilslut den igen for at starte den automatiske skyllning. Undlad at anvende vandrenseren i to timer.

DA

Symptom	Årsag	Løsning
	Hanen har været åben i over 15 minutter. Vandrenseren er stoppet. (Pro 400B)	Sluk for hanen, og vent i mindst 30 minutter. Kobl vandrenseren fra strøm. Tilslut den igen for at starte den automatiske skylling.
Flowhastigheden fra rentvandshanen er lav.	Rentvandsslangen er i klemme eller blokeret. Vandrenseren skal afkalikes.	Sørg for, at rentvandsslangen kan bevæge sig frit. Se vores Complete User Manual.
Vandrenseren starter og stopper igen (korte opstarter).	Vandtrykket mellem vandrenseren og hane/ventil/vandtank er under starttrykniveauet.	Kontroller tilslutningerne. Sørg for, at vandslangens ender er runde og fri for grater. Sørg for, at hanerne og ventilerne er vandtætte, når de er lukkede.
Der kommer en dårlig lugt fra vandrenseren.	Der er bakterievækst i vandet, fordi vandrenseren ikke har været anvendt i en uge eller derover.	Se vores Complete User Manual.

## Produktdeevne



WQA Gold Seal er bevis på, at Bluewater-vandrenseren er blevet uafhængigt testet og er certificeret i henhold til NSF/ANSI 58 og CSA Standard B483.1. WQA certificerer produktdeevnen og gennemgår produktionsanlægget og -procedureerne for at sikre produktets pålidelighed og integritet.

Bluewater Pro-vandrenseren er testet i henhold til NSF/ANSI 58 for reduktion af de angivne stoffer nedenfor:

- TDS (Total Dissolved Solids)
- Chrom (+3)
- Bly
- Arsen(+5) (også kendt som pentavalent arsen, As(+5), As(V) eller arsenat).

Koncentrationen af de angivne stoffer i vandet, der kom ind i systemet, blev reduceret til en koncentration, som var mindre end eller lig med den tilladte grænse for vand, der forlader systemet, som specificeret i NSF/ANSI 58.

Se databladet for ydeevne på [www.bluewatergroup.com](http://www.bluewatergroup.com) for yderligere oplysninger.

I dataarket for arsen, der også kan findes på [www.bluewatergroup.com](http://www.bluewatergroup.com), finder du information om forholdene, der vedrører reduktionseffektiviteten af arsen (+5), og hvorfor andre former for arsen ikke kan fjernes i samme omfang.

# 目录

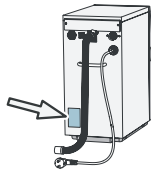
安全.....	136
安全说明.....	136
安全信息.....	136
产品概述.....	137
型号.....	137
Pro 外部.....	137
Pro 内部组件和替换组件.....	138
系统概述.....	139
系统说明.....	139
产水.....	140
安装.....	141
防漏系统.....	141
低压保护.....	141
维护.....	142
日常维护.....	142
定期维护.....	142
技术信息.....	143
故障排除.....	144
如何解决简单问题.....	144
产品性能.....	145

## 客户服务

在致电客户服务部门前，请参阅“故障排除”以解决小问题。如果需要外部服务支持，则需支付费用。

致电 Bluewater 时，确保准备好以下资料（位于铭牌上）：

- 型号
- 产品编号
- 序列号



## 环境信息



80% 的净水器组件及其包装上都带有标签，可帮助您进行正确回收和丢弃。当净水器长时间对水进行清洁时，效率会更高。例如：建议用水壶而不是玻璃水杯来装水。



带有此标志的装置必须送至当地指定的用于处理电气和电子设备的接收站。本产品不适于按照一般家庭垃圾处理过程进行处置。

# 安全

## 安全说明

安装或操作设备前，必须阅读安全信息。遵守本手册中的说明，可防止人身伤害或设备损坏。本手册包含“警告”和“注意”标志，用于提醒安全操作设备。



“警告”用于指示存在导致人身伤害或设备损坏的情况。遵照说明，在非状态下请勿继续操作。



“注意”用于指示无故障且以最佳性能使用净水器的重要信息。

## 安全信息



当控制面板上的“Purification level II and/or III”（净化水平 II 和/或 III）指示灯点亮时，只能使用干净的水。



本设备可由 8 岁以上儿童使用。对于肢体不健全、感觉或精神上有障碍或缺少经验和知识的人员，如果有人在一旁监督或向他们提供安全使用本设备的说明并让他们了解相关危险，则也适用于这些人员使用。



请勿修理或改装净水器部件。这会导致净水器无法正确操作，引起的伤害或损害不在保修范围内。



Pro 是反渗透系统。其中包含一个可更换的膜，该膜对于有效减少总溶解固体 (TDS) 非常重要。请定期更换该膜。



只有经认可的 Bluewater 员工才能对净水器进行维护和修理。只能使用 Bluewater 提供的原装替换滤芯和零件。有关备件目录和购买时的联系信息，请访问 [www.bluewatergroup.com](http://www.bluewatergroup.com)。



要清洁的水必须满足“技术信息”中的要求。净水器安装完毕后，请对水进行测试，之后每年测试一次。如果水不干净、有异味或臭味，则请勿饮用。



必须按照适用的当地管道标准和法规进行安装。



将净水器连接到接地电源。使用安装后易于操作的插头。只能由专业的电工对系统进行永久布线。必须在系统上安装安全开关。错误安装会导致损坏或为净水器的使用留下安全隐患。



请勿使用存在明显损坏痕迹的电源线。如果电源线损坏，则只能由合格的电工进行更换以防出现危险。



请勿在无过滤器器的情况下使用 Pro。这会造成损坏。清洁 Pro 后或进行存放时，可拆除过滤器。



如果将净水器断电断水的时间超过 5 天，则按完整用户手册中“存储”一节中所述进行存放。

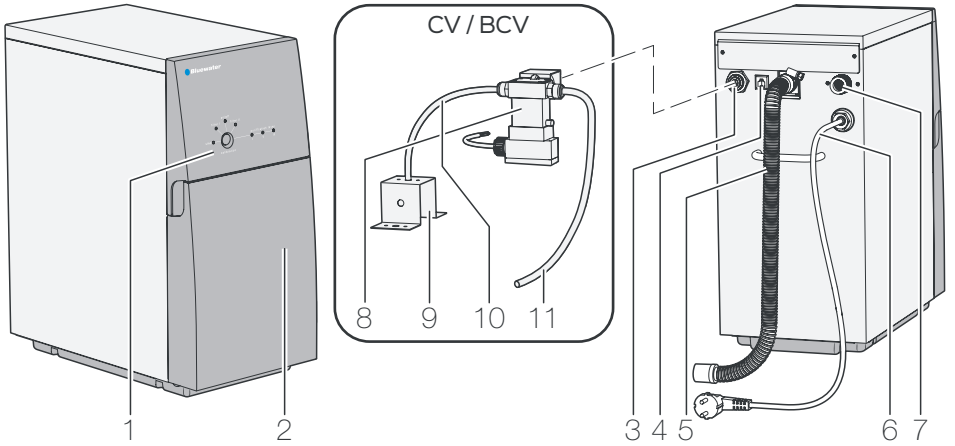


# 产品概述

## 型号

型号	能够处理更高 TDS, 包括微咸进水	适合商用, 不会自动关闭	净水冲洗阀适用于要求超高水质的环境
Pro 400B-HR	✓		
Pro 400C-HF		✓	
Pro 400C-HR		✓	
Pro 400BC-HR	✓	✓	
Pro 400CV-HR		✓	✓
Pro 400BCV-HR	✓	✓	✓
Pro 600C-HF		✓	
Pro 600CV-HR		✓	✓

## Pro 外部



ZH

Figure 1. Pro 外部

位置	说明	位置	说明
1	控制面板	7	带栅格过滤器的给水接口
2	前盖	8	净水冲洗阀 (CV 型)
3	净水接口	9	气隙支架
4	水龙头电气接口 (可选)	10	冲洗水管
5	排水软管	11	纯水管
6	电源线		



有关闪烁/点亮的指示灯组合的信息，请参阅“故障排除”。

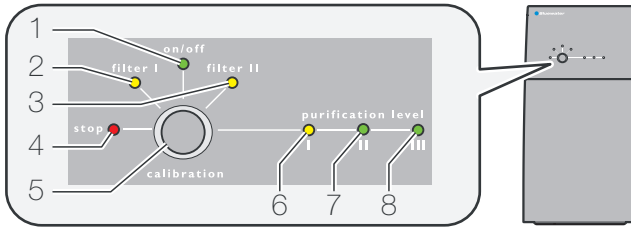


Figure 2. 控制面板

位置	指示灯/按钮	说明
1	on/off	亮：净水器已连接到电源 灭：净水器未连接到电源
2	filter I	亮：必须更换过滤器。Pro 600：更换两个 Combi 过滤器
3	filter II	亮：必须更换过滤器。Pro 600：更换两个 Combi 过滤器
4	stop	闪烁/亮：出错，请参阅第 页的“故障排除”。
5	calibration	校准按钮，有关此按钮的各种功能，请参阅完整用户手册。
6	purification level I	亮：净化水平 I-III 表示净水净化水平。 低水平 I 至高水平 III
7	purification level II	
8	purification level III	

## Pro 内部组件和替换组件

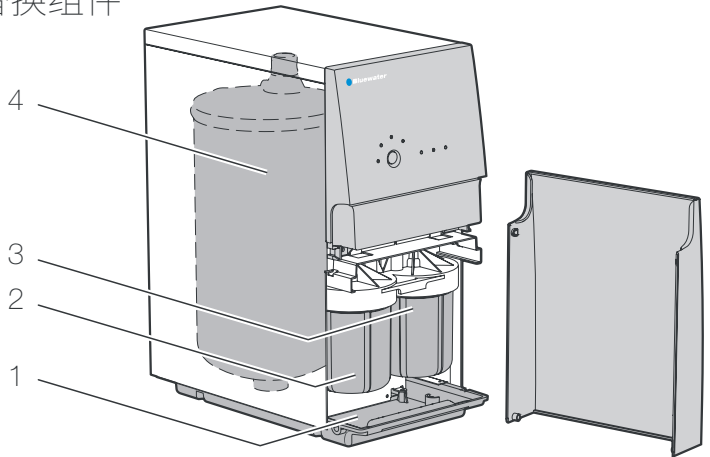
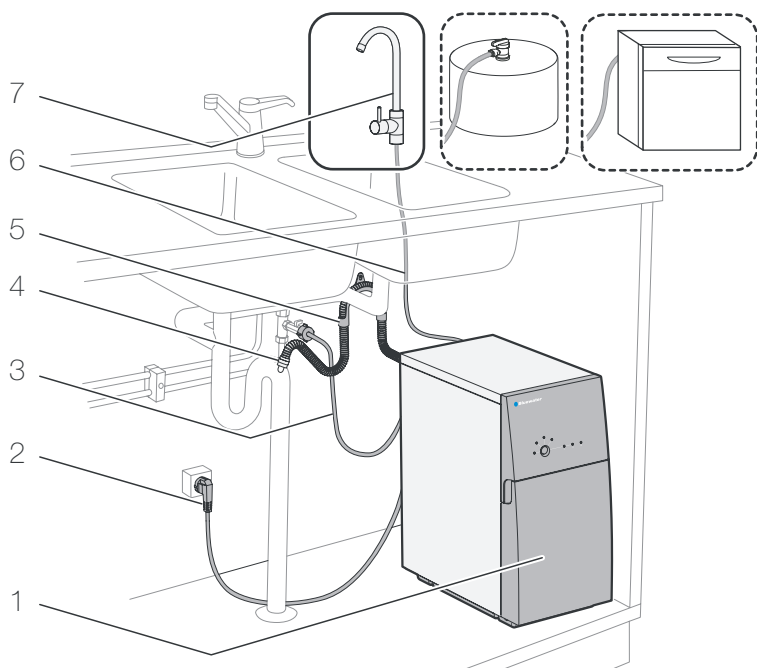


Figure 3. Pro 内部

位置	说明	部件号	位置	说明	部件号
1	底板		3	前置过滤器 II, Pro 600: Combi 碳块	919240005
			3	前置过滤器 II, Pro 400: 碳过滤器, 颗粒状	919240003
2	前置过滤器 I, Pro 600: Combi 碳块	919240005	4	反渗透膜	
	Prefilter I, Pro 400: 砂过滤器	919240002		膜维护套件, HR 型 (高抑制)	150718900-SP
				膜维护套件, HF 型 (高流量)	150718901-SP

# 系统概述

## 系统说明



ZH

Figure 4. 系统概述, Pro 安装示例

位置	说明	位置	说明
1	净水器	5	排水软管支架
2	电源线	6	净水软管
3	给水软管	7	净水龙头(可选的 Pro 400 系列)
4	排水软管, 安装时留有气隙		

## 产水



当控制面板上的“Purification level II and III”（净化水平 II 和 III）指示灯点亮时，只能使用干净的水。在净水器指示出水良好之前最长可能需要 60 秒。



对于适合商用的型号，可用阀门或水箱等替换水龙头。

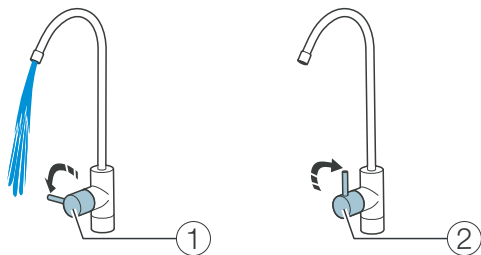


Figure 5. 打开/关闭产水功能

## 自动冲洗



冲洗过程介于 5 到 120 秒之间，具体取决于上次取水持续的时间长度。

如果满足以下条件之一，则将进行自动冲洗：

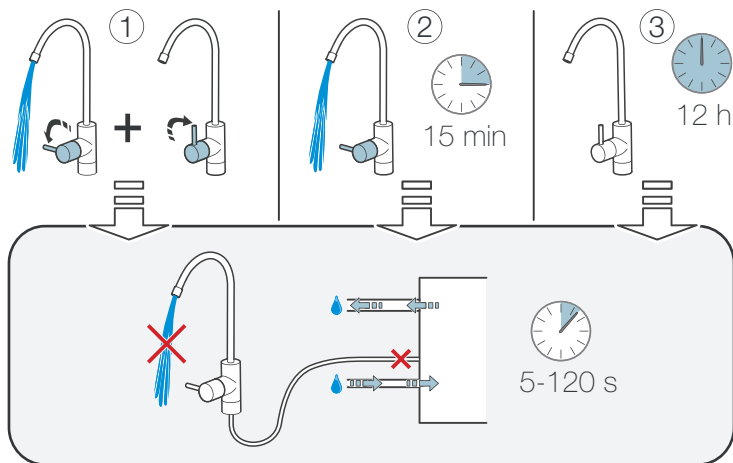


Figure 6. 自动冲洗

位置	说明
1	取水后冲洗。每次取水后都需冲洗。
2	取水时冲洗。最长工作 15 分钟后冲洗。(Pro 400B 必须手动启动)
3	净水器处于待机模式。Pro 连接到水和电源。每 12 小时冲洗一次，与上次产出净水的时间无关。

## 安装



不得通过 Pro 为房屋内的所有水龙头供水。这会导致水管和热水器腐蚀。如果未正确安装 Pro, 则无法享受保修。



必须按照适用的当地管道标准和法规进行安装。



只能将净水器连接到冷水水源。水质必须有保障并满足给水要求。



建议由经 Bluewater 授权的经销商推荐的专业人员安装净水器。完整用户手册和 [www.bluewatergroup.com](http://www.bluewatergroup.com) 上都提供了安装说明。

## 防漏系统

净水器底部的传感器可感应漏水。如果出现漏水, 将停止给水。在修复漏水前, 不能启动净水器。

## 低压保护



如果 Pro 因低压停止, 则必须清除低压原因。否则, 将会对泵造成永久损坏。



当 Pro 因低压问题(给水)而停止时, 可通过按校准按钮手动开始产水。

## 低压重启功能



仅包括在适合商用的型号中。

低压重启是一项可确保最大限度提高水的利用率的功能。

当 Pro 因低压停止后, 将自动启动。它将尝试启动三次: 分别是 3 分钟后、20 分钟后和 4 小时后。如果三次重试后水压仍不够高, 则 Pro 将停止。

# 维护

## 日常维护

### 检查指示灯

步骤	操作
1	确保控制面板上的指示灯未点亮或在闪烁。

### 清洁净水器



请勿使用化学品清洁表面。酒精、汽油、有机和无机酸、强碱性化学品(如浓缩的餐具洗涤剂)都会损坏表面。



请勿使用尖硬工具清洁净水器。

步骤	操作
1	使用湿润的软布和弱肥皂溶液清洁外部表面以去除尘垢和污迹。
2	使用干燥的软布擦干。

## 定期维护



定期维护对于正常使用和长期操作很重要。只有经培训和认可的人员才能执行维护。



有关如何进行维护的说明, 请参阅 [www.bluewatergroup.com](http://www.bluewatergroup.com) 上的完整用户手册

频率	说明
1 个月	检查连接 擦拭底板上的冷凝物。
4-6 个月*	更换过滤器。每 4-6 个月或净化的水达到 37 850 l (10 000 gal) (以先满足者为准) 时更换一次过滤器。
6 个月*	除垢
1 年一次	每年对水进行测试。如果水不干净, 请勿饮用。请与 Bluewater 经销商联系。
4-6 年*	更换反渗透膜 (请与 Bluewater 经销商联系)

\*频率取决于水质和使用情况。

# 技术信息

		尺寸 W×H×D	重量	功率	接地电源	净化水的流速	声级
Pro 400B-HR	230V	225×466×460 mm	29 kg	530 W	230V, 50-60 Hz	每天 1825 加仑	< 60 dB(A)
	120V	8.9×18.3×18.1 "	64 lbs	6 Amp	120V, 60 Hz		
Pro 400C-HF	230V	225×466×460 mm	29 kg	530 W	230V, 50-60 Hz	每天 1825 加仑	< 60 dB(A)
	120V	8.9×18.3×18.1 "	64 lbs	6 Amp	120V, 60 Hz		
Pro 400C-HR	230V	225×466×460 mm	29 kg	530 W	230V, 50-60 Hz	每天 1825 加仑	< 60 dB(A)
	120V	8.9×18.3×18.1 "	64 lbs	6 Amp	120V, 60 Hz		
Pro 400BC-HR	230V	225×466×460 mm	29 kg	530 W	230V, 50-60 Hz	每天 1825 加仑	< 60 dB(A)
	120V	8.9×18.3×18.1 "	64 lbs	6 Amp	120V, 60 Hz		
Pro 400CV-HR	230V	225×466×470 mm	29 kg	530 W	230V, 50-60 Hz	每天 1825 加仑	< 60 dB(A)
	120V	8.9×18.3×18.5 "	64 lbs	6 Amp	120V, 60 Hz		
Pro 400BCV-HR	230V	225×466×470 mm	29 kg	530 W	230V, 50-60 Hz	每天 1825 加仑	< 60 dB(A)
	120V	8.9×18.3×18.5 "	64 lbs	6 Amp	120V, 60 Hz		
Pro 600C-HF	230V	225×466×460 mm	29 kg	720 W	230V 50-60 Hz	每天 1825 加仑	< 60 dB(A)
Pro 600CV-HR	230V	225×466×470 mm	29 kg	720 W	230V 50-60 Hz	每天 1825 加仑	< 60 dB(A)

## 净水器给水要求

		温度	给水流动压力	水流速	TDS (总溶解固体) (Total Dissolved Solids) [ppm]	电导率 [μS/cm, 25 °C (77 °F)]	硬度	铁 Fe <sup>(2)</sup> /Fe <sup>(3)</sup> [mg/l]	油度 [FNU]
Pro 400B-HR	230V	2-30 °C	2-10 bar	> 8 l/min	< 7500	< 13 000	< 20 °dH	< 1.5/< 0.3	< 0.5
Pro 400BC-HR	120V	36-86 °F	29-145 psi	> 2.1 gal/min			< 20.9 grains/gal		
Pro 400BCV-HR									
Pro 400C-HF	230V	2-35 °C	2-10 bar	> 8 l/min	< 1500	< 2000	< 20 °dH	< 1.5/< 0.3	< 0.5
Pro 400C-HR	120V	36-95 °F	29-145 psi	> 2.1 gal/min			< 20.9 grains/gal		
Pro 400CV-HR									
Pro 600C-HF	230V	2-35 °C	2.5-10 bar	> 10 l/min	< 1500	< 2000	< 20 °dH	< 1.0/< 0.3	< 0.5
Pro 600CV-HR									

ZH



请勿在该系统的进水口或出水口使用从微生物角度而言不安全或未经充分消毒的质量未知的水。



只能连接到冷水水源。温度限制在的表“净水器的给水要求”中列出。



有关详细信息, 请访问 [www.bluewatergroup.com](http://www.bluewatergroup.com)

有关认证的更多信息, 请参见“产品性能”。

# 故障排除

## 如何解决简单问题



如果 Pro 因紧急情况而停止, 则将其从电源断开然后重新连接到电源, 或按校准按钮以复位急停。



有关更严重的问题, 请参阅 [www.bluewatergroup.com](http://www.bluewatergroup.com) 上的完整用户手册

症状	原因	解决方法
	必须更换过滤器 I。 Pro 600: 更换两个 Combi 过滤器	请参阅完整用户手册
	带栅格过滤器被阻塞。	请参阅完整用户手册
	给水压太低。	确保给水压力足够。如果需要, 增加压力。
	必须更换过滤器 II。 Pro 600: 更换两个 Combi 过滤器	请参阅完整用户手册
	给水压太低。净水器已停止。它将等待且必须重启。	净水器将尝试自动启动。确保给水压力足够。如果需要, 更换过滤器。请参阅完整用户手册。 按校准按钮可启动净水器。当过滤器 I 的指示灯和停止指示灯熄灭时, 松开该按钮。
		过滤器 I 或过滤器 II 被阻塞。
	栅格被阻塞。	请参阅完整用户手册
	底板上漏水或存在冷凝物。	确保所有接头都不漏水。将净水器前倾, 然后用布擦干底板。
	给水压太低。	为给水安装带有增压功能的泵。
		检查对给水压力有影响的部件 (水管、粗砂过滤器和附加的前置过滤器)。
	净水器已停止。净水质量已变得太低。	新净水器: 对其进行校准, 请参阅完整用户手册。 旧净水器: 断开电源。再次连接电源以开始自动冲洗。执行此操作 2 或 3 次。
		未正确执行校准
	水质测量仪无法正确工作。	断开净水器的电源。再次连接电源以开始自动冲洗。2 小时内请勿使用净水器。



症状	原因	解决方法
	水龙头打开时间超过 15 分钟。净水器已停止。 (Pro 400B)	关闭水龙头并至少等待 30 分钟。 断开净水器的电源。再次连接电源以开始自动冲洗。
净水龙头的流速很低。	净水软管被拉紧或堵塞。	确保净水软管可自由移动。
	净水器需要除垢。	请参阅完整用户手册。
净水器启动然后再次停止 (短时启动)。	净水器与水龙头/阀门/水箱之间的水压低于启动压力水平。	检查接口。
		确保水软管的两端为圆形且无毛边。
		确保水龙头和阀门在关闭后不漏水。
净水器有臭味。	由于净水器至少一周未使, 水中滋生微生物。	请参阅完整用户手册。

## 产品性能



WQA Gold Seal 证明净水器经过独立测试, 且通过 NSF/ANSI 58 和 CSA 标准 B483.1 认证。WQA 认证产品性能, 审核制造设施和过程以确保产品稳定性和完整性。

Bluewater Pro 净水器已按照 NSF/ANSI 58 进行测试, 证明可减少下述列表中的物质:

- TDS
- 铬 (3)
- 铅
- 砷 (+5) (又名五价砷)、As(+5)、As(V) 或砷酸盐)。

系统进水中的标识物质浓度被减少至小于等于 NSF/ANSI 58 规定的系统出水的允许限值。

请查看 [www.bluewatergroup.com](http://www.bluewatergroup.com) 上的性能数据表了解更多详情。

在砷资料单和 [www.bluewatergroup.com](http://www.bluewatergroup.com) 上, 均可以了解有关砷 (+5) 降低效率, 以及砷的其他形式为何不能去除至相同程度的更多信息。

## 中国市场进入许可

卫生许可批准文号: 沪卫水进字 (2016) 第0019号

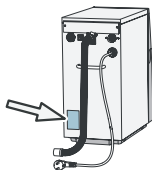
KESELAMATAN .....	147
Instruksi keselamatan .....	147
Informasi keselamatan .....	147
SEKILAS PRODUK .....	148
Model .....	148
Pro di luar .....	148
Komponen di bagian dalam dan pengganti untuk Pro .....	149
SISTEM IKHTISAR .....	150
Deskripsi sistem .....	150
Produksi air .....	151
Instalasi .....	152
Sistem perlindungan kebocoran .....	152
Perlindungan tekanan rendah .....	152
PEMELIHARAAN .....	153
Pemeliharaan harian .....	153
Pemeliharaan rutin .....	153
INFORMASI TEKNIS .....	154
PEMECAHAN MASALAH .....	155
Bagaimana mengatasi masalah sederhana .....	155
Performa produk .....	156

## Layanan pelanggan

Lihat “Pemecahan masalah” untuk menyelesaikan masalah kecil sebelum menelepon layanan. Apabila Anda membutuhkan dukungan layanan eksternal, dapat dikenakan biaya.

Pastikan untuk memiliki data berikut (ditemukan pada pelat data) yang tersedia pada saat memanggil Bluewater:

- Model
- Nomor produk
- Nomor serial



## Information lingkungan



80% dari komponen penjernih air dan kemasannya memiliki label untuk membantu Anda mendaur ulang dan membuangnya dengan benar. Penjernih air lebih efisien ketika membersihkan air untuk waktu yang lama. Contoh: tidak mengisi gelas dengan air. Isi kendi sebagai gantinya.



Peralatan yang membawa simbol ini harus disimpan pada titik penerimaan lokal ditunjuk untuk pembuangan peralatan listrik dan elektronik. Produk ini tidak dapat dibuang dengan menggunakan proses pengumpulan pembuangan rumah tangga.

# KESELAMATAN

## Instruksi keselamatan

Sebelum Anda menginstal atau mengoperasikan alat, Anda harus membaca informasi keselamatan. Patuhi petunjuk dalam manual ini untuk mencegah cedera atau kerusakan pada peralatan. Panduan ini berisi PERHATIAN dan PEMBERITAHUAN yang berlaku untuk operasi yang aman dari perangkat.



**PERHATIAN** mengidentifikasi kondisi yang dapat menyebabkan cedera, atau kerusakan pada peralatan. Patuhi petunjuk dan tidak melanjutkan sampai semua kondisi diterima dan dilakukan.



Catatan mengidentifikasi informasi penting untuk gratis pemecahan masalah dan penggunaan penjernih air yang optimal.

## Informasi keselamatan



Hanya menggunakan air dibersihkan ketika lampu “purification level II dan / atau III” pada panel kontrol yang aktif.



Alat ini bisa digunakan oleh anak-anak yang berusia lebih dari 8 tahun. Hal ini juga dapat digunakan oleh orang-orang yang memiliki kekurangan kemampuan fisik, indera atau mental atau kurang pengalaman dan pengetahuan, apabila mereka diberikan pengawasan atau instruksi tentang penggunaan alat dengan cara yang aman dan memahami bahaya yang terjadi.



Jangan memperbaiki atau memodifikasi bagian dari penjernih air. Hal ini dapat membuatnya dapat beroperasi secara tidak benar, dan menyebabkan cedera dan kerusakan yang tidak terjangkau oleh garansi.



Pro adalah sebuah sistem osmosis terbalik. Alat ini menggunakan membran yang dapat diganti yang sangat penting untuk mengurangi padatan terlarut total (TDS) secara efektif. Ganti membran ini secara teratur.



Hanya staf Bluewater yang disetujui yang boleh melakukan servis dan perbaikan atas pemurni air ini. Gunakan kartrid dan komponen pengganti asli dari Bluewater saja. Untuk katalog suku cadang dan informasi kontak untuk pembelian, lihat [www.bluewatergroup.com](http://www.bluewatergroup.com).



Air yang akan dibersihkan harus mematuhi persyaratan di “Informasi Teknis”. Menguji air pada saat penjernih air telah diinstal dan kemudian satu kali setiap tahun. Jika air tidak bersih, terdapat rasa, atau berbau, jangan minum air tersebut.



Instalasi harus mematuhi kode pipa dan peraturan setempat yang berlaku.



Hubungkan penjernih air untuk pasokan elektrik yang ditanahkan. Gunakan plug yang memudahkan untuk mengakses setelah instalasi. Hanya seorang teknisi yang disertifikasi dapat melakukan kabel permanen pada sistem. Sebuah saklar pengaman harus diinstal pada sistem. Instalasi yang tidak benar dapat menyebabkan kerusakan, atau membuat penjernih air berbahaya untuk digunakan.



Jangan gunakan kabel listrik jika ada tanda-tanda kerusakan di atasnya. Jika kabel listrik rusak, teknisi listrik harus menggantinya untuk mencegah bahaya.



Jangan menggunakan Pro tanpa filter. Tetap melakukan dapat menyebabkan kerusakan. Pada Saat Pro dibersihkan atau tempatkan di penyimpanan, filter dapat dilepas.



Jika penjernih air terputus dari air dan listrik untuk lebih dari seminggu, menyimpannya seperti yang dijelaskan dalam Panduan pengguna Lengkap “Simpan”.

# SEKILAS PRODUK

## Model

Model	Mampu menangani TDS tinggi, termasuk inlet payau	Sesuai dengan penggunaan komersial tanpa penutup otomatis	Bersih katup bilas air cocok untuk lingkungan di mana kualitas air ekstra tinggi diperlukan
Pro 400B-HR	✓		
Pro 400C-HF		✓	
Pro 400C-HR		✓	
Pro 400BC-HR	✓	✓	
Pro 400CV-HR		✓	✓
Pro 400BCV-HR	✓	✓	✓
Pro 600C-HF		✓	
Pro 600CV-HR		✓	✓

## Pro di luar

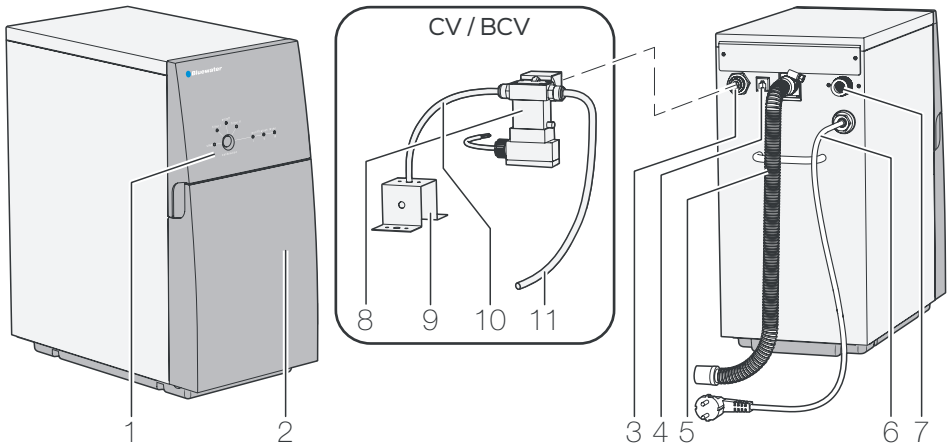


Figure 1. Pro di luar

Pos	Deskripsi	Pos	Deskripsi
1	Kontrol panel	7	Sambungan penyedia air dengan filter berkotak
2	Penutup depan	8	Katup bilas air bersih (model CV)
3	Bersihkan sambungan air	9	Braket celah udara
4	Sambungan elektrik untuk kran (opsional)	10	Bilas tabung air
5	Aliran selang air	11	Tabung air murni
6	Kabel listrik		

## Kontrol panel



Untuk informasi tentang kombinasi lampu yang berkedip / menyala, lihat “Pemecahan masalah”.

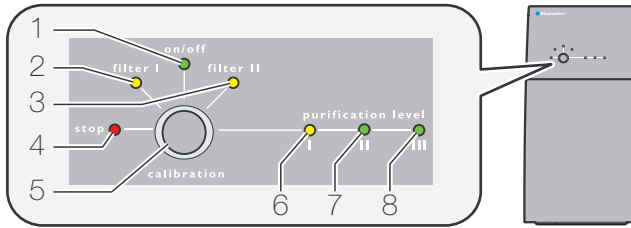


Figure 2. Kontrol panel

Pos	Cahaya / tombol	Deskripsi
1	on/off	Aktif: Penjemih air tidak tersambung ke daya Tidak aktif: Penjemih airtidaktersambung ke daya
2	filter I	Aktif: Filter harus diganti. Pro 600: Ganti kedua filter Combi.
3	filter II	Aktif: Filter harus diganti. Pro 600: Ganti kedua filter Combi.
4	stop	Berkedip/Aktif: Terjadi kesalahan, lihat “Pemecahan Masalah”.
5	calibration	tombol kalibrasi, berbagai fungsilihat Complete User manual.
6	purification level I	Aktif: Tingkat pemurnian I-III menunjukkan tingkat pemurnian air bersih. Tingkat rendah I sampai tingkat tinggi III
7	purification level II	
8	purification level III	

## Komponen di bagian dalam dan pengganti untuk Pro

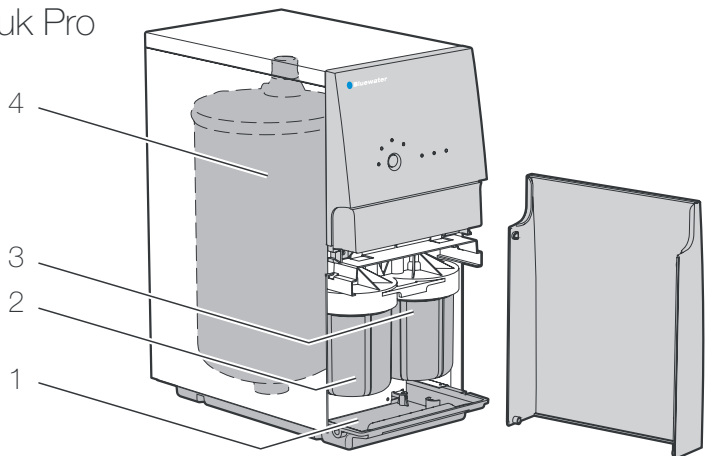


Figure 3. Pro di dalam

Pos	Keterangan	Nomor barang	Pos	Keterangan	Nomor barang
1	Pelat dasar		3	Prafilter II, Pro 600: Blok Karbon Kombi	919240005
				Prafilter II, Pro 400: Filter karbon, granulasi	919240003
2	Prafilter I, Pro 600: Blok Karbon Kombi	919240005	4	Membran osmosis balik	
	Prafilter I, Pro 400: Filter sedimen	919240002		Kit servis membran, tipe HR (High Rejection)	150718900-SP
				Kit servis membran, tipe HF (High Flow)	150718901-SP

# SISTEM IKHTISAR

## Deskripsi sistem

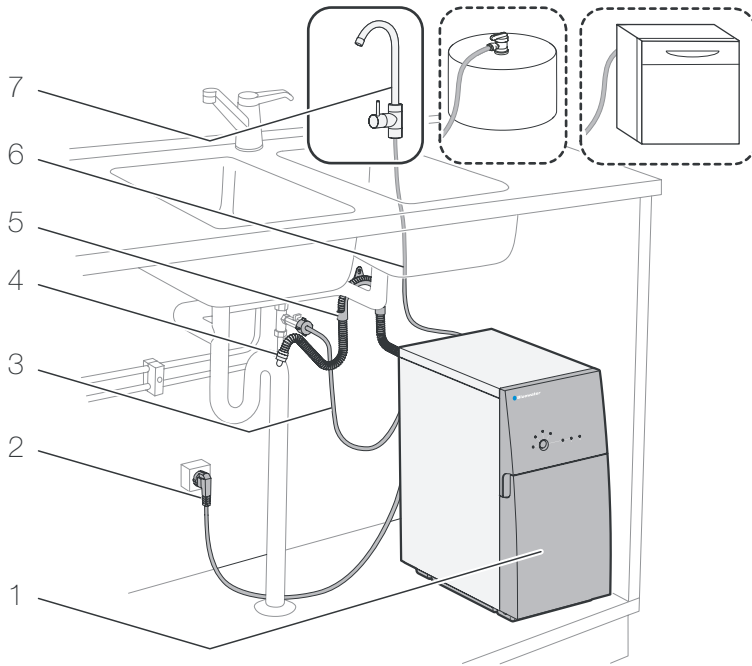


Figure 4. Gambaran umum sistem, contoh pemasangan Pro

Pos	Keterangan	Pos	Keterangan
1	Penjernih air	5	Braket untuk selang air penguras
2	Kabel daya	6	Bersihkan selang air
3	Selang air pengumpan	7	Bersihkan kran air (opsional seri Pro 400)
4	Selang air penguras, dilengkapi celah udara		

# Produksi air



Hanya menggunakan air dibersihkan ketika lampu “purification level II dan III” pada panel kontrol yang aktif. Hal tersebut dapat memakan waktu 60 detik sebelum pemurnian air menunjukkan kualitas air baik.



Untuk model yang sesuai untuk penggunaan komersial, kran dapat diganti dengan contoh katup atau tangki.

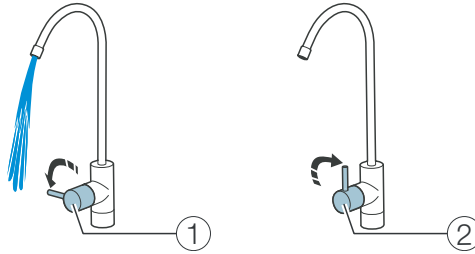


Figure 5. Produksi air aktif/tidak aktif

## Flush otomatis



Panjang proses siram bervariasi antara 5-120 detik, tergantung pada berapa lama aliran sebelumnya air berlangsung.

Flush otomatis akan dilakukan pada saat salah satu dari kondisi tersebut terpenuhi:

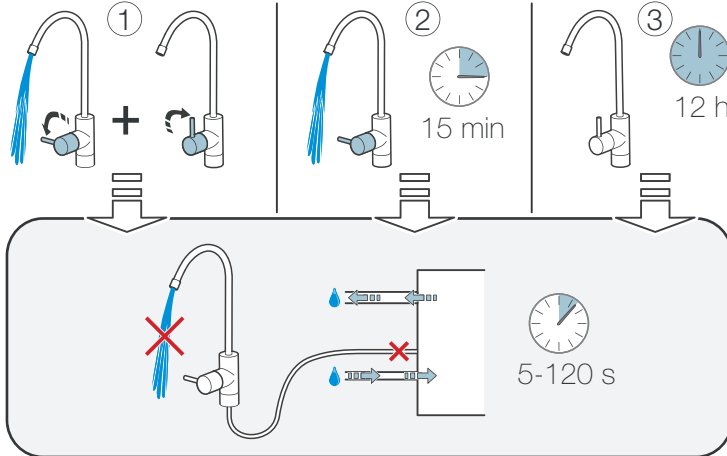


Figure 6. Flush otomatis

Pos	Deskripsi
1	Flush setelah mengambil air. Setiap waktu sesudah pengambilan air .
2	Flush pada saat mengambil air. Setelah waktu operasi maksimum 15 menit. (Pro 400B harus memulai kembali secara manual)
3	Penjemih air di mode standby. Pro tersambung ke air dan daya. Flush di lakukan setiap 12 jam, terlepas pada saat air bersih terakhir diproduksi.

## Instalasi



Pro harus memasok air ke semua kran di rumah. Hal ini dapat menyebabkan berkarat pada pipa dan pemanas air. Apabila Pro tidak diinstal secara benar, garansi tidak akan berlaku.



Pemasangan wajib memenuhi semua peraturan dan ketentuan setempat tentang pemasangan pipa.



Hubungkan pemurni air ke sumber air dingin saja. Kualitas air wajib memenuhi syarat dan ketentuan sebagai air umpan.



Sebaiknya bahwa penjernih air diinstal oleh seorang profesional, yang direkomendasikan oleh dealer Bluewater resmi. Petunjuk instalasi dapat ditemukan di Lengkap Panduan pengguna dan pada [www.bluewatergroup.com](http://www.bluewatergroup.com).

## Sistem perlindungan kebocoran

Sebuah sensor di bagian bawah penjernih air mendeteksi kebocoran air. Jika ada kebocoran, pasokan air umpan dihentikan. Penjernih air tidak dapat dijalankan lagi sampai kebocoran telah diperbaiki.

## Perlindungan tekanan rendah



Apabila Pro berhenti karena tekanan rendah, penyebab tekanan rendah harus dilepas. Apabila tidak, pompa akan mengalami kerusakan secara permanen.



Ketika Pro telah berhenti karena masalah tekanan rendah (air umpan), produksi air dapat dimulai secara manual dengan menekan tombol kalibrasi.

## Fungsi mulai kembali tekanan rendah



Hanya termasuk dalam model yang cocok untuk penggunaan komersial.

Mulainya kembali tekanan rendah adalah fungsi untuk memastikan ketersediaan maksimum air.

Pro memulai secara otomatis apabila telah berhenti karena tekanan rendah. Telah dicoba untuk memulai selama tiga kali: setelah 3 menit, setelah 20 menit dan setelah 4 jam. Jika tekanan air tidak cukup tinggi setelah tiga kali mencoba, Pro akan berhenti.



# PEMELIHARAAN

## Pemeliharaan harian

### Periksa lampu indikator

Langkah	Tindakan
1	Pastikan lampu di panel kontrol tidak aktif atau berkedip.

### Berkedip penjernih air



Tidak menggunakan kimia untuk membersihkan permukaan. Alkohol, petrol, asam organik dan anorganik, bahan kimia dasar yang kuat (seperti terkonsentrasi hidangan cuci deterjen) akan menyebabkan kerusakan pada permukaan permukaan.



Tidak menggunakan peralatan keras atau tajam untuk membersihkan penjernih air.

Langkah	Tindakan
1	Bersihkan permukaan luar dengan kain lembab yang lembut dan solusi sabun lembut untuk menghilangkan debu, noda dan kotoran.
2	Keringkan dengan kain kering yang lembut.

## Pemeliharaan rutin



Pemeliharaan rutin penting untuk fungsi yang benar dan operasional jangka panjang. Hanya petugas yang teredukasi dan mendapat persetujuan dapat melakukan pemeliharaan.



Untuk petunjuk bagaimana melakukan pemeliharaan, lihat Complete User manual di [www.bluewatergroup.com](http://www.bluewatergroup.com)

Frekuensi	Deskripsi
1 bulan	Periksa koneksi Hapus kondensasi dari pelat dasar.
4-6 bulan*	Ganti filter. Ganti filter setelah 4-6 bulan atau air yang dimumikan sudah mencapai angka 37 850 l (10 000 gal).
6 bulan*	Kerak
1 tahun	Penjujukan air setiap tahun. Apabila air tidak bersih, jangan diminum. Hubungi dealer Bluewater.
4-6 tahun*	Ganti membran osmosis reverse (Kontak dealer Bluewater Anda)

\* Frekuensi tergantung pada kualitas air dan penggunaan

# INFORMASI TEKNIS

		Ukuran LxTxD	Bobot	Daya	Pasokan daya ditanahkan	Laju aliran air murni	Tingkat kebisingan
Pro 400B-HR	230V	225x466x460 mm	29 kg	530 W	230V, 50-60 Hz	6 908 l/hari (1825 galon/hari)	< 60 dB(A)
	120V	8.9x18.3x18.1 "	64 lbs	6 Amp	120V, 60 Hz		
Pro 400C-HF	230V	225x466x460 mm	29 kg	530 W	230V, 50-60 Hz	6 908 l/hari (1825 galon/hari)	< 60 dB(A)
	120V	8.9x18.3x18.1 "	64 lbs	6 Amp	120V, 60 Hz		
Pro 400C-HR	230V	225x466x460 mm	29 kg	530 W	230V, 50-60 Hz	6 908 l/hari (1825 galon/hari)	< 60 dB(A)
	120V	8.9x18.3x18.1 "	64 lbs	6 Amp	120V, 60 Hz		
Pro 400BC-HR	230V	225x466x460 mm	29 kg	530 W	230V, 50-60 Hz	6 908 l/hari (1825 galon/hari)	< 60 dB(A)
	120V	8.9x18.3x18.1 "	64 lbs	6 Amp	120V, 60 Hz		
Pro 400CV-HR	230V	225x466x470 mm	29 kg	530 W	230V, 50-60 Hz	6 908 l/hari (1825 galon/hari)	< 60 dB(A)
	120V	8.9x18.3x18.5 "	64 lbs	6 Amp	120V, 60 Hz		
Pro 400BCV-HR	230V	225x466x470 mm	29 kg	530 W	230V, 50-60 Hz	6 908 l/hari (1825 galon/hari)	< 60 dB(A)
	120V	8.9x18.3x18.5 "	64 lbs	6 Amp	120V, 60 Hz		
Pro 600C-HF	230V	225x466x460 mm	29 kg	720 W	230V 50-60 Hz	6 908 l/hari (1825 galon/hari)	< 60 dB(A)
Pro 600CV-HR	230V	225x466x470 mm	29 kg	720 W	230V 50-60 Hz	6 908 l/hari (1825 galon/hari)	< 60 dB(A)

## Persyaratan pada penyedia air ke penjernih air

		Suhu	Memberikan tekanan aliran air.	Aliran air	TDS (Total Dissolved Solids) [ppm]	Konduktivitas [µS/cm, 25 °C (77 °F)]	Kekerasan	Iron Fe <sub>2</sub> /Fe <sup>(+3)</sup> [mg/l]	Kekeruhan [NTU]
Pro 400B-HR	230V	2-30 °C	2-10 bar	> 8 l/min	< 7500	< 13 000	< 20 °dH	< 1.5/< 0.3	< 0.5
Pro 400BC-HR									
Pro 400BCV-HR	120V	36-86 °F	29-145 psi	> 2.1 gal/min			< 20.9 grains/gal		
Pro 400C-HF	230V	2-35 °C	2-10 bar	> 8 l/min	< 1500	< 2000	< 20 °dH	< 1.5/< 0.3	< 0.5
Pro 400C-HR									
Pro 400CV-HR	120V	36-95 °F	29-145 psi	> 2.1 gal/min			< 20.9 grains/gal		
Pro 600C-HF	230V	2-35 °C	2.5-10 bar	> 10 l/min	< 1500	< 2000	< 20 °dH	< 1.0/< 0.3	< 0.5
Pro 600CV-HR									



Jangan gunakan air yang secara mikrobiologis tidak aman atau yang kualitasnya tidak diketahui tanpa suhama yang memadai sebelum atau sesudah pemakaian sistem.



Hubungkan dengan sumber air dingin saja. Batas suhu dapat dilihat dalam tabel "Syarat air umpan untuk pemurni air".



Untuk informasi yang lebih rinci lihat [www.bluewatergroup.com](http://www.bluewatergroup.com)

Untuk informasi lain tentang sertifikasi, lihat "Performa produk".

# PEMECAHAN MASALAH

## Bagaimana mengatasi masalah sederhana




Apabila Pro berhenti karena keadaan darurat, lepaskan dari listrik dan menghubungkannya lagi, atau tekan tombol kalibrasi untuk mereset berhenti darurat.



Untuk masalah yang lebih parah, lihat manual Pengguna lengkap di [www.bluewatergroup.com](http://www.bluewatergroup.com)

Gejala	Penyebab	Solusi
	Filter I harus diganti. Pro 600: Ganti kedua filter Combi.	Lihat Complete User manual
	Filter kotak diblok.	Lihat Complete User manual
	Tekanan air umpan terlalu rendah.	Pastikan bahwa tekanan penyediaan air cukup. Apabila diperlukan, tingkatkan tekanan.
	Filter II harus diganti. Pro 600: Ganti kedua filter Combi.	Lihat Complete User manual
	Tekanan air umpan terlalu rendah. Penjernih air telah distop. Menunggu dan harus dimulai kembali.	Penjernih air akan mencoba untuk mulai secara otomatis. Pastikan penyediaan tekanan air cukup. Apabila diperlukan, ganti filter. Lihat Complete User manual.  Tekan tombol kalibrasi untuk mulai penjernih air. Lepaskan tombol pada saat lampu filter I dan matikan lampu.
	filter I atau filter II diblok.	Pastikan tidak ada di filter yang membuat air tidak dapat mengalir. Apabila diperlukan, ganti filter. Lihat Complete User manual.
	Kotak di blok.	Lihat Complete User manual
	Terdapat kebocoran air atau kondensasi pada pelat dasar.	Pastikan semua sambungan air dikencangkan. Miringkan penjernih air menuju ke depan, dan keringkan pelat dasar dengan handuk.
	Tekanan air umpan terlalu rendah.	Instal pompa dengan tekanan tinggi untuk penyediaan air.  Melakukan pemeriksaan dari bagian-bagian yang memiliki efek pada penyediaan tekanan air (aliran air, filter kasar, ekstra pra-filter).
	Penjernih air berhenti. Kualitas air bersih menjadi rendah.	Penjernih air baru: kalibrasikan, lihat Complete User manual.  Penggunaan penjernih air: Putuskan dari daya. Sambung kembali untuk mulai flush otomatis. Lakukan 2 atau 3 kali.
	Kalibrasi tidak dilakukan secara benar	Lihat Complete User manual
	Meter kualitas air tidak bekerja secara benar.	Putuskan penjernih air dari daya. Sambung kembali untuk mulai flush otomatis. Jangan gunakan penjernih air untuk 2 jam.

Gejala	Penyebab	Solusi
	Tap telah aktif lebih dari 15 menit. Penjernih airtelah distop. (Pro 400B)	Matikan tap dan tunggu minimal 30 menit.  Putuskan penjernih air dari daya. Sambung kembali untuk mulai flushotomatis.
Laju aliran dari kran airbersih rendah.	Selang air bersih dikencangkan atau macet.  Penjernih air diperlukan untuk tidak diukur.	Pastikan bahwa selang air bersih dapat dipindahkan.  Lihat Complete User manual.
Penjernih air mulai dan berhenti kembali (mulai pendek).	Tekanan air antara pemurni air dan keran / katup / tangki di bawah tingkat tekanan awal.	Periksa sambungan.  Pastikan bahwa akhir dari selang air sirkular dan tidak terjepit.  Pastikan kran dan katup tertutup rapat pada saatditutup.
Terdapat bau yang tidak sedap dari penjernih air.	Perkembangan microbial di dalam air karena penjernih air tidak dapat digunakan dalam seminggu atau lebih lama.	Lihat Complete User manual.

## Performa produk



WQA Gold Seal membuktikan bahwa pemurni air telah diuji secara mandiri dan disertifikasi sebagai memenuhi NSF/ANSI 58 dan CSA Standard B483.1.

Kemampuan pemurni air Bluewater Pro dalam mengurangi substansi tersebut di bawah telah diuji berdasarkan standar NSF/ANSI 58:

- TDS
- Kromium(+3)
- Timbal
- Arsenik(+5) (juga disebut arsenik pentavalen, As(+5), As(V) atau arsenat).

Konsentrasi substansi yang disebutkan pada air yang memasuki sistem dikurangi sampai kurang dari atau sama dengan batas yang dibolehkan untuk air yang keluar dari sistem, sesuai ketentuan NSF/ANSI 58.

Untuk rincian lain, lihat lembar data performa di [www.bluewatergroup.com](http://www.bluewatergroup.com).

Dalam lembar fakta arsenik, yang juga dapat dilihat di [www.bluewatergroup.com](http://www.bluewatergroup.com), Anda akan menemukan informasi tentang kondisi yang berkaitan dengan efisiensi pengurangan arsenik (+5), dan mengapa bentuk lain arsenik tidak dapat dihilangkan hingga tingkatan yang sama.

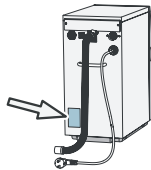
# 목차

안전 .....	158
안전 지침.....	158
안전 정보.....	158
제품 개요.....	159
모델 .....	159
Pro 외부 .....	159
Pro 내부 및 교체 구성품.....	160
시스템 개요 .....	161
시스템 설명.....	161
물 생성 .....	162
설치 .....	163
누출 보호 시스템 .....	163
저압 보호.....	163
유지보수 .....	164
일일 유지보수 .....	164
정기 유지보수 .....	164
기술 정보.....	165
문제해결.....	166
간단한 문제 해결 방법.....	166
제품 성능.....	167

## 고객 서비스

서비스 호출 전 “문제해결”을 참조해 경미한 문제를 해결하십시오. 외부 서비스 지원이 필요하다면 비용이 들 수 있습니다. Bluewater 호출 시 다음 데이터(데이터 플레이트에서 확인)를 이용할 수 있도록 하십시오.

- 모델
- 제품 번호
- 일련 번호



KO

## 환경 정보



정수기 구성품의 80%와 포장에 올바르게 재활용 및 폐기하도록 돕는 라벨이 있습니다. 정수기는 장기간 동안 물을 정수할 때 보다 효율적입니다. 예시: 잔을 물로 채우지 마십시오. 대신 주전자를 채우십시오.



이 기호가 있는 전자 제품은 전기 전자 장비 폐기와 관련해 지정된 현지 수령 지점에 두어야 합니다. 본 제품은 일반 생활폐기물 수거 과정을 사용해 폐기할 수 없습니다.

# 안전

## 안전 지침

장치를 설치하거나 작동하기 전에 안전 정보를 읽어야 합니다. 본 설명서의 지침을 준수해 부상이나 장비 손상을 방지하십시오. 본 설명서에는 장치 안전 작동에 적용되는 주의 및 알림이 포함되어 있습니다.



주의는 부상을 입힐 수 있거나, 장비를 손상시킬 수 있는 상태를 식별합니다. 지침을 따르고 모든 조건이 수락 및 이루어질 때까지 진행하지 마십시오.



참고는 문제해결 및 최적의 정수기 사용을 위한 중요 정보를 식별합니다.

## 안전 정보



제어판에서 “정수 레벨 II 및/또는 III” 표시등에 불이 들어온 경우에만 정수를 사용하십시오.



본 전자 제품은 8세 미만의 어린이가 사용해서는 안 됩니다. 안전한 방식으로 전자 제품을 사용하는 것에 대한 감독 및 지침을 받고 관련 위험 상황을 이해한 경우 신체적, 감각적 또는 정신적 기능이 떨어지거나 경험 및 지식이 부족한 사람도 본 제품을 사용할 수 있습니다.



정수기의 부품을 수리하거나 변경하지 마십시오. 이를 통해 잘못 작동할 수 있게 되며, 보증에서 적용되지 않는 부상 및 손상이 일어날 수 있습니다.



Pro는 역삼투 시스템입니다. 총 용존 고형물(TDS)을 효과적으로 줄이는 데 매우 중요한 교체 막이 포함되어 있습니다. 이 막을 정기적으로 교체하십시오.



승인 받은 Bluewater 직원만 정수기의 서비스 및 수리를 할 수 있습니다. Bluewater의 순정 교체 카트리지와 부품만 사용하십시오. 예비 부품 카탈로그 및 구매 연락처 정보는 [www.bluewatergroup.com](http://www.bluewatergroup.com)을 참조하십시오.



정수해야 하는 물은 “기술 정보”의 요건을 준수해야 합니다. 정수기 설치 시에 물을 검사하고 연 1회 물을 검사하십시오. 물이 오염되었고, 맛이 이상하거나 냄새가 나쁘다면 마시지 마십시오.



설치 시 해당 현지 배관 법규 및 규정을 준수해야 합니다.



정수기를 접지된 전기 공급 장치에 연결하십시오. 설치 후 쉽게 접근할 수 있는 플러그를 사용하십시오. 승인된 기술자만 시스템 상에서 영구 배선을 해야 합니다. 안전 스위치를 시스템에 설치해야 합니다. 설치를 잘못하면 손상되거나 정수기 사용이 위험해질 수 있습니다.



육안으로 손상 징후가 보인다면 전원 코드를 사용하지 마십시오. 전원 코드가 손상되었다면 위험을 방지하기 위해 적격 기술자가 교체해야 합니다.



필터 없이 Pro를 사용하지 마십시오. 그렇게 할 경우 손상될 수 있습니다. Pro를 세척하거나 보관할 경우 필터를 분리할 수 있습니다.



5일간 정수기에 물과 전기 공급이 이루어지지 않은 경우, 전체 사용자 설명서의 “보관”에 따라 보관하십시오.

# 제품 개요

## 모델

모델	염분 함유 유입수 등 높은 TDS 처리 가능	자동 종료 없이도 상업적 사용에 적절함	고품질 용수가 추가로 필요한 환경에 적합한 물 행금 밸브 세척
Pro 400B-HR	✓		
Pro 400C-HF		✓	
Pro 400C-HR		✓	
Pro 400BC-HR	✓	✓	
Pro 400CV-HR		✓	✓
Pro 400BCV-HR	✓	✓	✓
Pro 600C-HF		✓	
Pro 600CV-HR		✓	✓

## Pro 외부

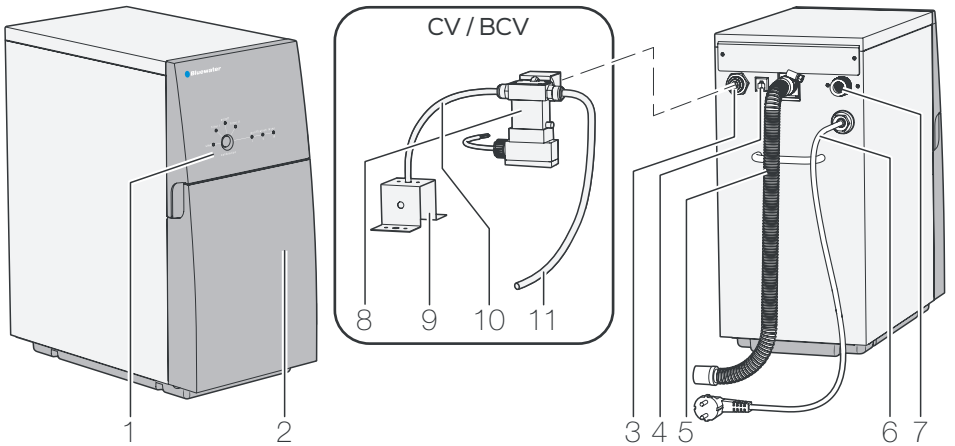


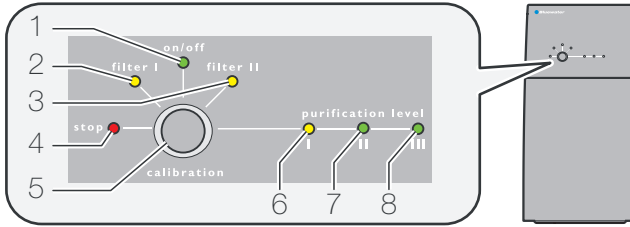
그림 1. Pro 외부

위치	설명	위치	설명
1	제어판	7	그리드 필터 탑재 급수 연결부
2	전면 커버	8	정수 행금 밸브(CV 모델)
3	정수 연결부	9	에어갭 브래킷
4	수도꼭지 전기 연결부(옵션)	10	물 행금 튜브
5	물 배출 호스	11	정수 튜브
6	전원 코드		

## 제어판



표시등의 점멸/점등 조합에 대한 정보는 “문제해결”을 참조하십시오.



### 제어판

위치	표시등/버튼	설명
1	켜짐/꺼짐	켜짐: 정수기에 전원이 들어왔습니다 꺼짐: 정수기에서 전원이 분리되었습니다
2	필터 I	켜짐: 필터를 교체해야 합니다. Pro 600: 두 콤비 필터를 교체하십시오.
3	필터 II	켜짐: 필터를 교체해야 합니다. Pro 600: 두 콤비 필터를 교체하십시오.
4	중단	점멸/켜짐: 무언가 잘못되었습니다. “문제해결”을 참조하십시오.
5	보정	보정 버튼, 다양한 기능은 전체 사용자 설명서를 참조하십시오.
6	정수 레벨 I	켜짐: 정수 레벨 I-III는 깨끗한 정수 레벨을 나타냅니다. 저레벨 I ~ 고레벨 III
7	정수 레벨 II	
8	정수 레벨 III	

## Pro 내부 및 교체 구성품

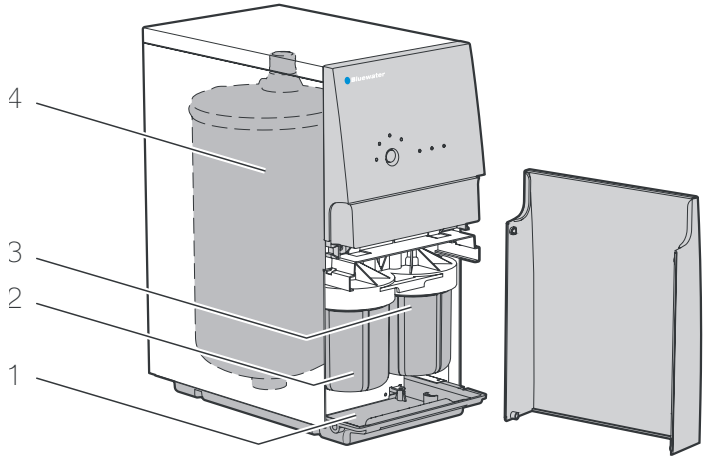


그림 2. Pro 내부

위치	설명	항목 번호	위치	설명	항목 번호
1	베이스 플레이트		3	Prefilter II, Pro 600: 콤비 탄소 블록	919240005
				Prefilter II, Pro 400: 탄소 필터, 과립형	919240003
2	Prefilter I, Pro 600: 콤비 탄소 블록	919240005	4	역삼투막	
	Prefilter I, Pro 400: 침전물 필터	919240002		막 서비스 키트, HR형(고 저지율)	150718900-SP
				막 서비스 키트, HF형(높은 유속)	150718901-SP



# 시스템 개요

## 시스템 설명

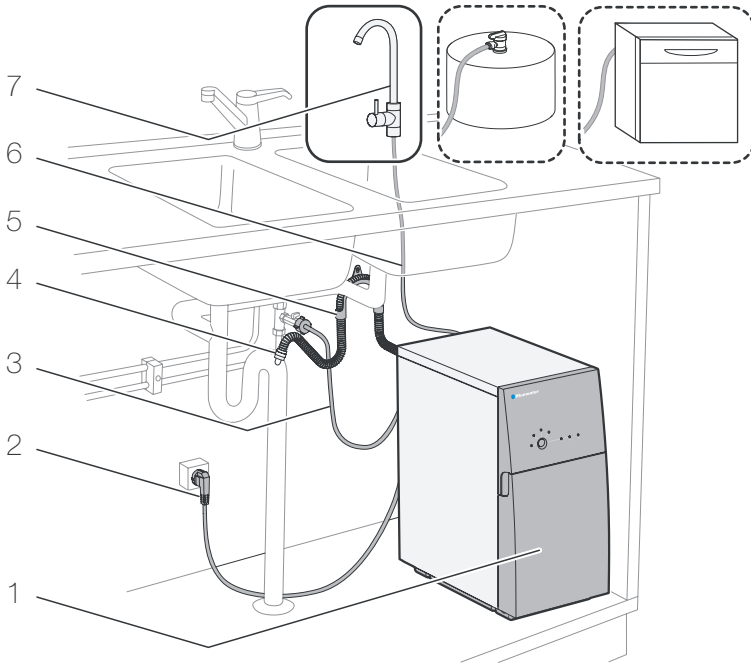


그림 3. 시스템 개요, Pro 설치 예시

KO

위치	설명	위치	설명
1	정수기	5	물 배출 호스용 브래킷
2	전원 코드	6	정수 호스
3	급수 호스	7	정수 수도꼭지(Pro 400 시리즈 옵션)
4	에어갭을 적용하여 설치된 배수 호스		

## 물 생성



제어판에서 “정수 레벨 II 및 III” 표시등에 불이 들어온 경우에만 정수를 사용하십시오. 정수기가 양호한 수질을 나타내기 전까지 최대 60초가 걸릴 수 있습니다.



상업용 모델의 경우 밸브나 탱크로 수도꼭지를 교체할 수도 있습니다.

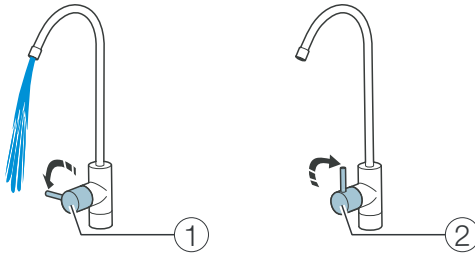


그림 4. 물 생성 켜짐/꺼짐

## 자동 플러시



플러시 공정은 5~120초로, 이전에 물을 얼마나 오래 틀었는지에 따라 달라집니다.

아래 상태 중 하나라도 충족된다면 자동 플러시가 수행됩니다.

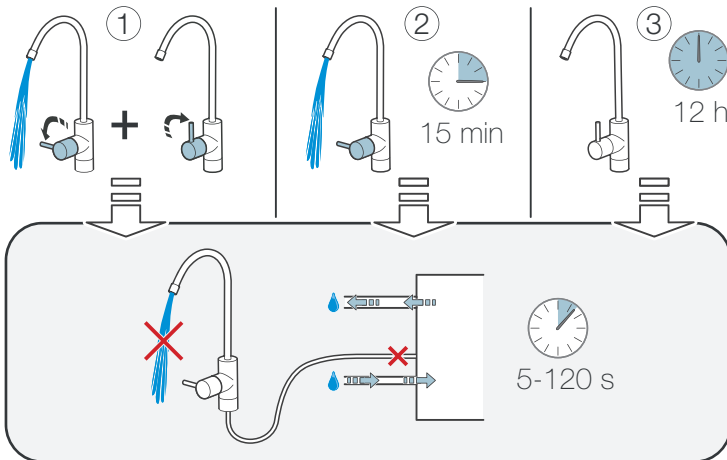


그림 5. 자동 플러시

위치	설명
1	물을 틀어 놓은 후 플러시합니다. 물을 툰 후 매번.
2	물을 틀어 놓을 시 플러시합니다. 최대 작동 시간인 15분 이후(Pro 400B는 수동으로 재시작해야 합니다)
3	대기 모드의 정수기. Pro가 물과 전원에 연결되었습니다. 정수가 최종 생성된 시기에 관계 없이 플러시는 12시간마다 수행됩니다.

## 설치



Pro는 집에 있는 모든 수도꼭지로 물을 공급해서는 안 됩니다. 이로 인해 물 파이프 및 가열기가 부식될 수 있습니다.  
Pro가 올바르게 설치되지 않았다면 보증이 적용되지 않습니다.



설치 시 해당 현지 배관 법규 및 규정을 준수해야 합니다.



정수기를 냉수 공급부로부터 연결하십시오. 수질이 충분히 좋고 공급수 요건을 충족해야 합니다.



공인 Bluewater 딜러가 추천하는 전문가가 정수기를 설치할 것을 권장합니다.  
설치 지침은 전체 사용자 설명서 및 [www.bluewatergroup.com](http://www.bluewatergroup.com)에서 확인할 수 있습니다.

## 누출 보호 시스템

정수기 바닥 센서가 누수를 감지합니다. 누수가 있다면 급수 공급이 중단됩니다. 누수가 보수될 때까지 정수기는 다시 가동되지 않습니다.

## 저압 보호



Pro가 저압으로 인해 중단될 경우, 저압의 원인을 제거해야 합니다. 그렇지 않을 경우 펌프가 영구적으로 손상될 수 있습니다.



Pro가 저압 문제로 인해 (급수)정지된 경우, 보정 버튼을 눌러 물 생성을 수동 시작할 수 있습니다.

## 저압 재시작 기능



상업용으로 적합한 모델만 포함됩니다.

KO

저압 재시작은 최대한의 물 가용성을 보장하는 기능입니다.

저압으로 인해 중단되었을 때 Pro가 자동 가동합니다. 그리고 가동을 3회 시도합니다. 3분 후, 20분 후 그리고 4시간 후 가동됩니다. 3회 이후에도 수압이 충분히 높지 않다면 Pro가 중단됩니다.

# 유지보수

## 일일 유지보수

### 표시등 확인

단계	절차
1	제어판에 있는 표시등이 켜지지 않거나 점멸되지 않는지 확인하십시오.

### 정수기 세척



표면을 화학 용품으로 세척하지 마십시오. 알코올, 석유, 유기 및 무기 산성, 강한 화학 물질(농축형 식기세척제 등)은 표면에 손상을 가할 수 있습니다.



단단하거나 날카로운 공구로 정수기를 세척하지 마십시오.

단계	절차
1	부드럽고 물에 젖은 천과 중성 세제로 외부를 닦아 먼지, 얼룩, 오염 물질을 제거하십시오.
2	부드럽고 마른 천으로 닦으십시오.

## 정기 유지보수



정기 유지보수는 올바른 기능과 장기간 작동에 중요합니다. 교육 받고 승인된 직원만 유지보수를 할 수 있습니다.



유지보수 방법에 대한 지침은 [www.bluewatergroup.com](http://www.bluewatergroup.com)에서 전체 사용자 설명서를 참조하십시오

빈도	설명
1개월	연결부 확인 베이스 플레이트에서 물방울을 닦아내십시오.
4-6개월*	필터를 교체합니다. 4-6개월 사용 후 또는 37 850 l(10 000갤론)를 정수한 후 중 먼저 도달하는 시점에 필터를 교체합니다.
6개월*	물 때 제거
1년	매년 물을 검사하십시오. 물이 오염되었다면 마시지 마십시오. Bluewater 딜러에게 문의하십시오.
4-6년*	역삼투 막을 교체하십시오(Bluewater 딜러에게 문의)

\*수질 및 사용량에 따른 빈도

# 기술 정보

		크기 가로X세로X높이	무게	전원	전원 공급장치 접지	정수 유속	음향 레벨
Pro 400B-HR	230V	225×466×460 mm	29 kg	530 W	230V, 50-60 Hz	6 908리터/일(1825 갤론/일)	< 60 dB(A)
	120V	8.9×18.3×18.1 "	64 lbs	6 Amp	120V, 60 Hz		
Pro 400C-HF	230V	225×466×460 mm	29 kg	530 W	230V, 50-60 Hz	6 908리터/일(1825 갤론/일)	< 60 dB(A)
	120V	8.9×18.3×18.1 "	64 lbs	6 Amp	120V, 60 Hz		
Pro 400C-HR	230V	225×466×460 mm	29 kg	530 W	230V, 50-60 Hz	6 908리터/일(1825 갤론/일)	< 60 dB(A)
	120V	8.9×18.3×18.1 "	64 lbs	6 Amp	120V, 60 Hz		
Pro 400BC-HR	230V	225×466×460 mm	29 kg	530 W	230V, 50-60 Hz	6 908리터/일(1825 갤론/일)	< 60 dB(A)
	120V	8.9×18.3×18.1 "	64 lbs	6 Amp	120V, 60 Hz		
Pro 400CV-HR	230V	225×466×470 mm	29 kg	530 W	230V, 50-60 Hz	6 908리터/일(1825 갤론/일)	< 60 dB(A)
	120V	8.9×18.3×18.5 "	64 lbs	6 Amp	120V, 60 Hz		
Pro 400BCV-HR	230V	225×466×470 mm	29 kg	530 W	230V, 50-60 Hz	6 908리터/일(1825 갤론/일)	< 60 dB(A)
	120V	8.9×18.3×18.5 "	64 lbs	6 Amp	120V, 60 Hz		
Pro 600C-HF	230V	225×466×460 mm	29 kg	720 W	230V 50-60 Hz	6 908리터/일(1825 갤론/일)	< 60 dB(A)
Pro 600CV-HR	230V	225×466×470 mm	29 kg	720 W	230V 50-60 Hz	6 908리터/일(1825 갤론/일)	< 60 dB(A)

## 정수기 급수 요건

		내압	압력 상한	사 야	TDS (총 용존 고형물) [ppm]	전도성 [ $\mu$ S/cm, 25 °C (77 °F)]	온 도 계 한	Iron Fe <sup>(2)</sup> /Fe <sup>(3)</sup> [mg/l]	탁도 [FNU]
Pro 400B-HR	230V	2-30 °C	2-10 bar	> 10 l/min	< 7500	< 13 000	< 20 °dH	< 1.5/< 0.3	< 0.5
Pro 400BC-HR									
Pro 400BCV-HR									
Pro 400C-HF	230V	2-35 °C	2-10 bar	> 10 l/min	< 1500	< 2000	< 20 °dH	< 1.5/< 0.3	< 0.5
Pro 400C-HR									
Pro 400CV-HR									
Pro 600C-HF	230V	2-35 °C	2.5-10 bar	> 10 l/min	< 1500	< 2000	< 20 °dH	< 1.0/< 0.3	< 0.5
Pro 600CV-HR									



시스템 앞뒤를 충분히 소독하지 않고 미생물학적으로 수질을 알 수 없으며 위험하면 사용하지 마십시오.



냉수 공급부로부터 연결하십시오. 온도 제한은 페이지의 “정수기로 급수할 때 요건” 표에 있습니다.



자세한 정보는 [www.bluewatergroup.com](http://www.bluewatergroup.com)을 참조하십시오

인증서에 대한 자세한 정보는 페이지에서 “제품 성능”을 참조하십시오.

# 문제해결

## 간단한 문제 해결 방법



Pro가 비상 상황으로 인해 정지한 경우, 전원을 분리하고 다시 연결하거나, 보정 버튼을 눌러 비상 정지를 재설정하십시오.



보다 심각한 문제 발생 시 [www.bluewatergroup.com](http://www.bluewatergroup.com)에서 전체 사용자 설명서를 참조하십시오

증상	원인	해결책
	필터 I를 교체해야 합니다. Pro 600: 두 필터를 교체하십시오.	전체 사용자 설명서 참조
	그리드 필터가 막혔습니다.	전체 사용자 설명서 참조
	급수 압력이 너무 낮습니다.	급수 압력이 충분한지 확인하십시오. 필요하다면 압력을 높이십시오.
	필터 II를 교체해야 합니다. Pro 600: 두 필터를 교체하십시오.	전체 사용자 설명서 참조
	<p>급수 압력이 너무 낮습니다. 정수기가 중단되었습니다. 대기 후 다시 시작해야 합니다.</p> <p>정수기가 자동으로 재시작됩니다. 급수 압력이 충분한지 확인하십시오. 필요하다면 필터를 교체하십시오. 전체 사용자 설명서를 참조하십시오.</p> <p>보정 버튼을 눌러 정수기를 가동하십시오. 필터 I가 켜지고 정지등이 꺼졌을 때 버튼에서 손을 떼십시오.</p>	
	필터 I 또는 필터 II가 막혔습니다.	필터에 물의 흐름을 막는 어떤 것도 있어서는 안 됩니다. 필요하다면 필터를 교체하십시오. 전체 사용자 설명서를 참조하십시오.
	그리드가 막혔습니다.	전체 사용자 설명서 참조
	베이스 플레이트에서 물 누출 또는 응결이 일어났습니다.	모든 연결부에 물이 가득 있는지 확인하십시오. 정수기를 앞으로 기울이고, 베이스 플레이트를 천으로 닦으십시오.
	급수 압력이 너무 낮습니다.	급수 압력을 높여 펌프를 설치하십시오. 급수 압력에 효과가 있는 부품을 확인하십시오(용수 라인, 굵은 입자 필터, 추가 사전 필터).
	정수기가 중단되었습니다. 수질이 너무 낮아졌습니다.	새 정수기: 보정하고, 전체 사용자 설명서를 참조하십시오. 중고 정수기: 전원을 분리시키십시오. 다시 연결해 자동 플러시를 시작하십시오. 이를 2-3회 반복하십시오.
	올바로 보정되지 않음	전체 사용자 설명서 참조

증상	원인	해결책
	수질 측정이 올바르게 이루어지지 않았습니다.	정수기의 전원을 분리하십시오. 다시 연결해 자동 플러시를 시작하십시오. 정수기를 2시간 동안 사용하지 마십시오.
	수고꼭지가 15분 이상 열려 있습니다. 정수기가 중단되었습니다. (Pro 400B)	수도꼭지를 닫고 최소 30분간 대기하십시오.  정수기의 전원을 분리하십시오. 다시 연결해 자동 플러시를 시작하십시오.
정수 수도꼭지의 유속이 느립니다.	정수 호스에 장력이 가해졌거나 막혔습니다.	정수 호스를 자유롭게 이동할 수 있어야 합니다.
정수기가 다시 가동 및 중단됩니다(짧은 가동).	정수기의 물때를 제거해야 합니다.	전체 사용자 설명서를 참조하십시오.
	정수 및 수도꼭지/밸브/탱크 간 수압이 가동 압력 레벨보다 낮습니다.	연결부를 검사합니다.
		물 호스의 끝부분이 원형이며 거친 부분이 없는지 확인하십시오.
정수기에서 안 좋은 냄새가 납니다.	정수기가 일주일 이상 사용되지 않았기 때문에 수중 미생물이 증가합니다.	수도꼭지와 밸브는 닫혔을 때 물이 차야 합니다.  전체 사용자 설명서를 참조하십시오.

## 제품 성능



WQA Gold Seal은 Bluewater 정수기가 개별적으로 NSF/ANSI 58 및 CSA 표준 B483.1로부터 시험 및 인증되었다는 점을 증명합니다. WQA는 제품 성능을 증명하며, 제조 시설과 절차를 검토해 제품 일관성과 무결성을 보장합니다.

Bluewater Pro 정수기는 아래 열거된 물질이 감소되도록 NSF/ANSI 58에 따라 검사되었습니다.

- TDS
- 크롬(+3)
- 납
- 비소(+5)(5가 비산염이라고도 알려짐, As(+5), As(V) 또는 비산염).

시스템에 들어가는 물의 물질 농도를 NSF/ANSI 58에 지정된 대로 시스템 잔여 용수 허용 한도 이하의 농도로 줄여야 합니다. 자세한 내용은 [www.bluewatergroup.com](http://www.bluewatergroup.com)에서 성능 데이터시트를 참조하십시오. 비소 자료표 또한 [www.bluewatergroup.com](http://www.bluewatergroup.com)에서 확인할 수 있으며, 비소(+5)의 감소 효율성과 관련된 조건과 다른 형태의 비소가 동일한 범위로 제거되지 않는 이유에 대한 정보를 확인할 수 있습니다.











EN

FR

ES

PT

IT

DE

PL

RU

SE

FI

NO

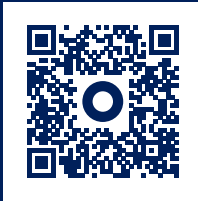
DA

ZH

ID

Bluewater is a world leading water purification company. Headquartered in Stockholm, Sweden, the company helps people and businesses in Europe, the USA, China and elsewhere in Asia enjoy the health and wellbeing benefits of cleaner, healthier tap water. Bluewater innovates, makes and sells compact water purifiers that harness the company's patented reverse osmosis technology to remove virtually all pollutants from tap water, including lead, bacteria, pesticides, medical residues, chlorine and lime-scale.

Please visit us at [www.bluewatergroup.com](http://www.bluewatergroup.com)



## BLUEWATER

Danderydsgatan 11  
SE-114 26 Stockholm  
Sweden  
E: [info@bluewatergroup.com](mailto:info@bluewatergroup.com)

[www.bluewatergroup.com](http://www.bluewatergroup.com)

