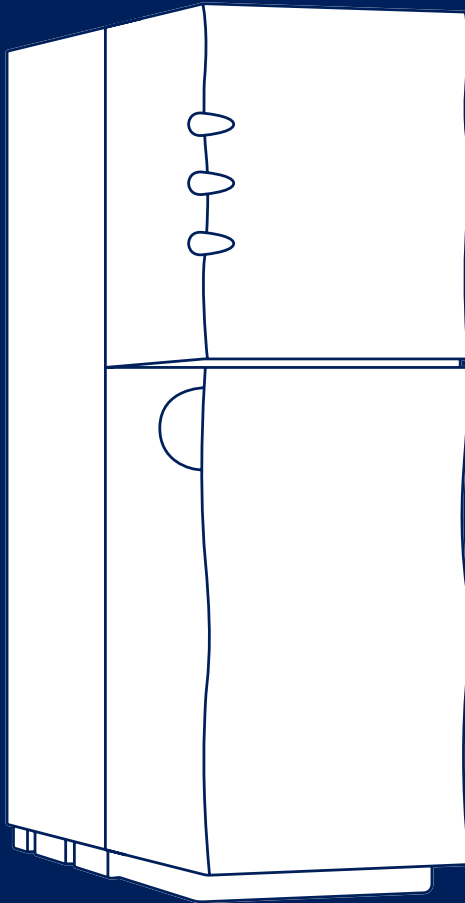


Applies only to products with serial number earlier than 1804-61001

SPARE PARTS, CONSUMABLES, AND ACCESSORIES CATALOG

220V - 240V



BLUEWATER SPIRIT WATER PURIFIER



TABLE OF CONTENTS

| | |
|--------------|----|
| INTRODUCTION | 3 |
| MODELS | 3 |
| COMPONENTS | 4 |
| SPARE PARTS | 6 |
| ACCESSORIES | 8 |
| CONSUMABLES | 8 |
| KITS | 9 |
| ORDER | 10 |
| DISCLAIMER | 10 |

This manual is made to be printed as a double-sided A4 or A5 booklet.

INTRODUCTION

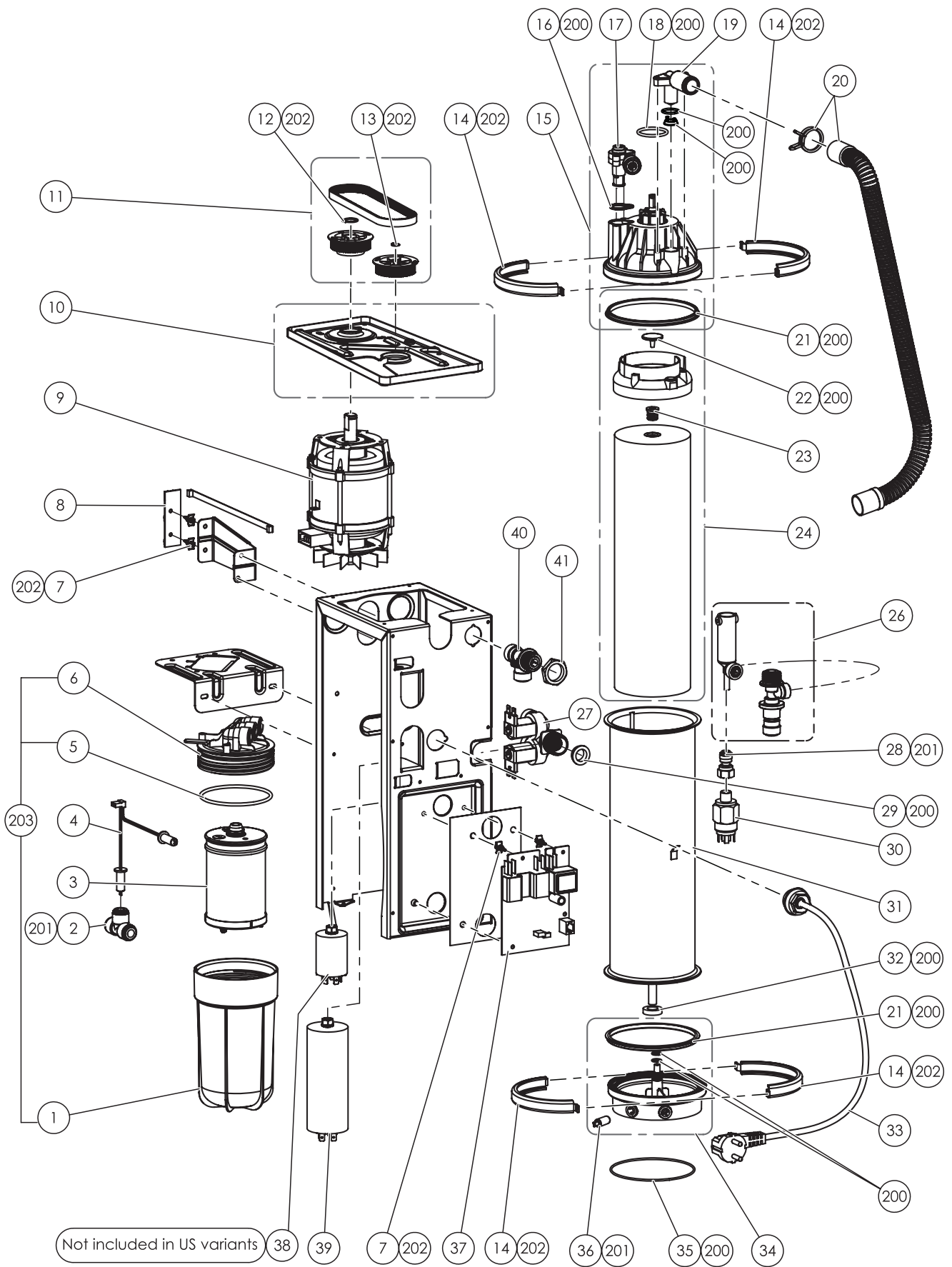
Regular maintenance, genuine spare parts and consumables assure the performance and lifespan of your product. To eliminate mistakes, when ordering spare parts, always start by identifying your model name and product number and use them to determine the correct spare part number.

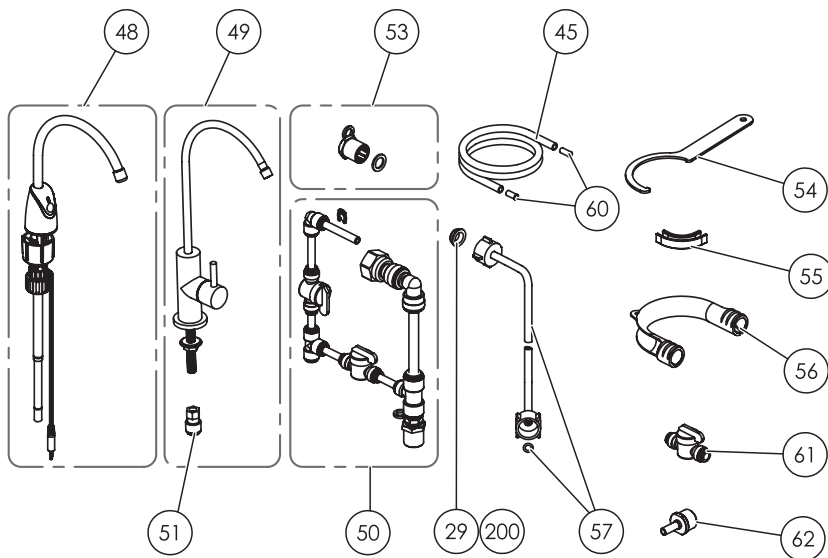
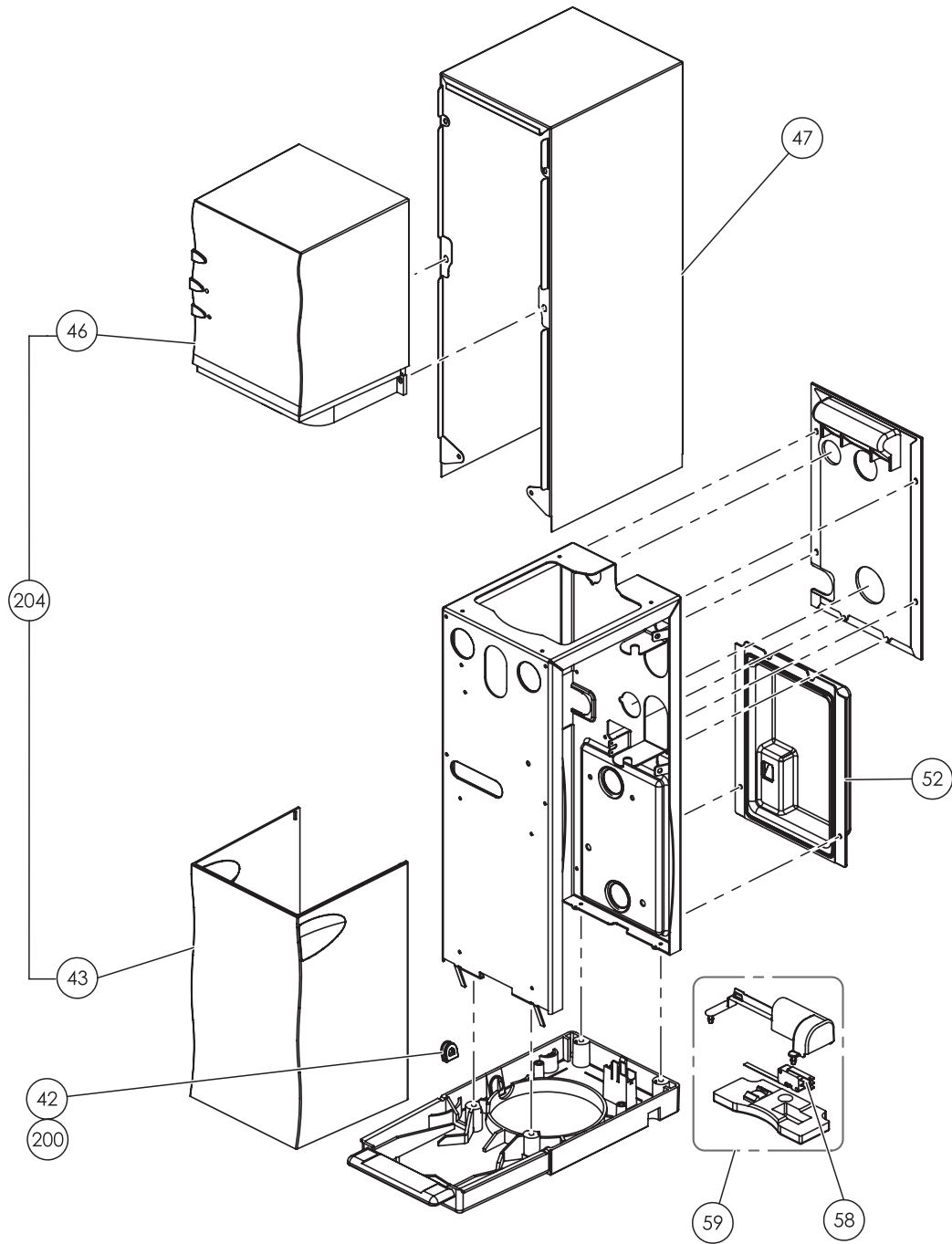
Please note that this catalog is updated regularly, which means the spare part numbers will also change regularly. You can always find the latest edition of this document at bluewatergroup.com.

MODELS

| Model | Product no. | Membrane | Reference |
|-------------------------------|-------------|----------|-----------|
| Spirit 300Cp-HR China (white) | 919240240 | HR | C |
| Spirit 300Cp-HR China | 919240241 | HR | C |
| Spirit 300-HF China | 919240242 | HF | A |
| Spirit 300-HF EU | 919240260 | HF | A |
| Spirit 300Cp-HR EU | 919240261 | HR | C |
| Spirit 300-HF UK BW Grey | 919240280 | HF | A |
| Spirit 300Cp-HR UK BW Grey | 919240281 | HR | C |
| RO300 EU | 919240201 | HF | A |
| RO300C-HF EU | 919240205 | HF | B |
| RO300C-HF EU Dometic | 919240206 | HF | B |
| RO300Cp-HR EU | 919240230 | HR | C |
| RO300Cp-HR EU Dometic | 919240231 | HR | C |
| RO300Cp-HR UK | 919240232 | HR | C |
| RO300Cp-HF EU | 919240234 | HF | C |
| RO300 China Dometic | 919240235 | HF | A |
| RO300Cp-HR China Dometic | 919240236 | HR | C |
| Spirit 300Cp-HR China | 919260241 | HR | D |
| Spirit 300-HF EU | 919260260 | HF | E |
| Spirit 300Cp-HR EU | 919260261 | HR | D |

COMPONENTS





SPARE PARTS

| Pos | Spare part no. | Description | Reference | Units in box (pcs) |
|-----|----------------|--|---------------------------------------|--------------------|
| 1 | 150740700-SP | Filter container, Spirit-series | Expired, replaced by kit, pos 203 | - |
| 2 | 150717800-SP | Quick connector, equal tee, 3/8" | Expired, included in kit, pos 201 | - |
| 3 | 919240004 | Carbon filter, granulated, Spirit-series, single pack | Replaced by 919260004 | - |
| 3 | 919260004 | Carbon filter, granulated, Spirit-series, single pack | Consumables, all models | 1 |
| 3 | 919240014 | Carbon filter, granulated, Spirit-series, pack of 20 | Replaced by 919260014 | - |
| 3 | 919260014 | Carbon filter, granulated, Spirit-series, pack of 20 | Consumables, all models | 20 |
| 3 | 919240024 | Carbon filter, granulated, Spirit-series, pack of 48 | Replaced by 919260024 | - |
| 3 | 919260024 | Carbon filter, granulated, Spirit-series, pack of 48 | Consumables, all models | 48 |
| 4 | 150796601-SP | Conductivity sensor, Spirit-series | All models | 1 |
| 5 | 150707003-SP | O-ring, 82.14x3.35 | All models | 10 |
| 6 | 150740900-SP | Lid, prefilter, Spirit-series | Expired, replaced by kit, pos 203 | - |
| 7 | 150712200-SP | Snap-in, holder PCB | Expired, included in kit, pos 202 | - |
| 8 | 150765480-SP | LED board, front, Spirit-series (old) | All models | 1 |
| 9 | 150745004-SP | Motor 230V/350W, Spirit-series | All models | 1 |
| 10 | 155022600-SP | Holder motor plate complete, Spirit-series | All models | 1 |
| 11 | 155022700-SP | Driving system kit, Spirit-series | All models | 1 |
| 12 | 150701903-SP | Retaining ring, motor, Spirit-series | Expired, included in kit, pos 202 | - |
| 13 | 150701902-SP | Retaining ring, pump, Spirit-series | Expired, included in kit, pos 202 | - |
| 14 | 150744700-SP | Locking ring, Spirit-series | Expired, included in kit, pos 202 | - |
| 15 | 150759780-SP | Pump service kit, RO300-series (older design, up to 2002 serial number 2223038) | Expired | - |
| 15 | 150739580-SP | Pump service kit, Spirit-series, up to serial no 180461001 | Ref A, B and C | 1 |
| 15 | 160739580-SP | Pump service kit, Spirit-series, from serial no 180461001 | Ref D and E - all serial numbers | 1 |
| 16 | 150744001-SP | Gasket, pressure regulating valve, Spirit-series | Expired, included in kit, pos 200 | - |
| 17 | 150765380-SP | Pressure regulating valve, Spirit-series, up to serial no 180461001 | Ref A, B and C | 10 |
| 17 | 160765380-SP | Pressure regulating valve, Spirit-series, from serial no 180461001 | Ref D and E - all serial numbers | 10 |
| 18 | 150707015-SP | O-ring 32.3x3 | Expired, included in kit, pos 200 | - |
| 19 | 150759480-SP | Valve, drain, Spirit-series, up to serial no 180461001 | Ref A, B and C | 5 |
| 19 | 160759480-SP | Valve, drain, Spirit-series, from serial no 180461001 | Ref D and E - all serial numbers | 5 |
| 20 | 150758100-SP | Drain hose, Spirit-series | All models - installation | 5 |
| 21 | 150744600-SP | Gasket, pressure vessel, Spirit-series | Expired, included in kit, pos 200 | - |
| 22 | 150742800-SP | Sealing, pump side lower, Spirit-series | Expired, included in kit, pos 200 | - |
| 23 | 150759880-SP | Plug, membrane center tube, with o-rings, Spirit-series, up to serial no 172701097 | Ref A, B and C | 10 |
| 24 | 150759380-SP | Membrane service kit Spirit-series, High Flow (HF) | All models with membrane HF | 1 |
| 24 | 155007301-SP | Membrane service kit Spirit-series, High Rejection (HR) | All models with membrane HR | 1 |
| 26 | 150715880-SP | Check valve and accumulator, kit, up to serial no 192261001 | Ref C and D | 10 |
| 27 | 150740180-SP | Valve, inlet, Spirit-series, 230V | All models | 1 |
| 28 | 155009000-SP | Quick connector, Female 1/4" to hose 1/4" | Ref C and D, included in kit, pos 201 | - |
| 29 | 155010101-SP | Gasket, for nut inlet hose, 3/4" | Expired, included in kit, pos 200 | - |
| 30 | 155006300-SP | Pressure switch, Spirit-series | Ref C and D | 1 |
| 31 | 150744300-SP | Pressure vessel, Spirit-series, up to serial no 180461001 | Ref A, B and C | 1 |
| 31 | 160744300-SP | Pressure vessel, Spirit-series, from serial no 180461001 | Ref D and E - all serial numbers | 1 |
| 32 | 150745200-SP | Cushion, bottom membrane vessel | Expired, included in kit, pos 200 | - |
| 33 | 150757000-SP | Cord set complete, European plug, Spirit-series | All models - European power plug | 1 |
| 33 | 150757004-SP | Cord set complete, Chinese plug, Spirit-series | All models - Chinese power plug | 1 |
| 33 | 150757005-SP | Cord set complete, UK plug, Spirit-series | All models - UK power plug | 1 |
| 33 | 293210009-SP | Power cord, UK plug | Replaced by 150757005-SP | 1 |

| Pos | Spare part no. | Description | Reference | Units in box (pcs) |
|-----|----------------|--|--|--------------------|
| 34 | 150759580-SP | Bottom part, pressure vessel, kit, RO300-series (older design, up to 2002 serial number 2223038) | Expired | - |
| 34 | 150739480-SP | Bottom part, pressure vessel, kit, Spirit-series, up to serial no 180461001 | Ref A, B and C | 1 |
| 34 | 160739480-SP | Bottom part, pressure vessel, kit, Spirit-series, from serial no 180461001 | Ref D and E - all serial numbers | 1 |
| 35 | 150707014-SP | O-ring, 100x2 | Expired, included in kit, pos 200 | - |
| 36 | 150753900-SP | Plug, plastic, 3/8" | Expired, included in kit, pos 201 | - |
| 37 | 155006401-SP | Circuit Board (PCBA), RO300 (electronic faucet, auto shut-off 2h), 230V | Ref B | 1 |
| 37 | 155006402-SP | Circuit Board (PCBA), Spirit 300Cp (pressure operated), 230V | Ref C and D | 1 |
| 37 | 155006403-SP | Circuit Board (PCBA), Spirit 300 (electronic faucet, auto shut-off 15 minutes), 230V | Ref A and E | 1 |
| 38 | 155021700-SP | Disturbance protection (RFI-filter) | All models | 1 |
| 39 | 150746400-SP | Capacitor, 10µF for 230V, Spirit-series | All models | 1 |
| 40 | 150756000-SP | Connection, pure water outlet, Spirit-series | All models | 10 |
| 41 | 150717100-SP | Nut, plastic, for pure water outlet | All models | 10 |
| 42 | 150754600-SP | Plug, rubber, baseplate, Spirit-series | Expired, included in kit, pos 200 | - |
| 43 | 150747400-SP | Door, white, neutral, Spirit-series | Expired, replaced by kit, pos 204 | - |
| 43 | 150747405-SP | Door, grey, printed Spirit 300, Spirit-series | Expired, replaced by kit, pos 204 | - |
| 45 | 150710085-SP | Hose PE 3/8" 2m (6.6 ft) | All models - installation | 1 |
| 45 | 150710091-SP | Hose PE 3/8" 10m (33ft) | All models - installation | 1 |
| 46 | 150754510-SP | Display panel complete, white, Spirit-series, Bluewater branded | Expired, replaced by kit, pos 204 | - |
| 46 | 150754581-SP | Display panel complete, white, Spirit-series, neutral | Expired, replaced by kit, pos 204 | - |
| 46 | 150754520-SP | Display panel complete, grey, Spirit-series, Bluewater branded | Expired, replaced by kit, pos 204 | - |
| 47 | 150747100-SP | Cover, white, metal sheet, Spirit-series | All models | 1 |
| 48 | 150748001-SP | Faucet for drinking water, electronic, Spirit (not -Cp) | Ref A, B and E - Accessory | 5 |
| 49 | 50-909-0191-SP | Faucet for drinking water, for Spirit 300Cp | Ref C and D - Expired, see section "Accessories" | - |
| 50 | 155007501-SP | By-pass kit | All models - Accessory | 1 |
| 51 | 150736500-SP | Quick connector, tap 7/16" to hose 3/8" | Ref C and D - Accessory | 5 |
| 52 | 150746100-SP | Cover, electric, Spirit-series, with opening for faucet connector | All models | 1 |
| 53 | 155022200-SP | Adaptor, female G1/2" to male G3/4", with gasket | Expired | - |
| 54 | 150704500-SP | Filter wrench | All models - installation | 10 |
| 55 | 150706800-SP | Holder for 3/8" hose | All models - installation | 5 |
| 56 | 150790300-SP | Holder, drain hose | All models - installation | 10 |
| 57 | 155010000-SP | Hose, inlet, PEX, 10x2 | All models - installation | 5 |
| 58 | 155004801-SP | Microswitch, leakage detection | All models | 1 |
| 59 | 155022800-SP | Leakage detection kit, Spirit-series | All models | 1 |
| 60 | 150726900-SP | Insert, 3/8" hose | Ref C and D - Installation | 10 |
| 61 | 155014300-SP | Shut-off valve, hose 3/8" | Ref C and D - Installation | 1 |
| 62 | 155016601-SP | Adaptor, stem 3/8" to male G3/4" | Ref C and D - Installation | 10 |
| 200 | 155026600-SP | O-ring and gasket kit, Spirit | All models - Kit | 1 |
| 201 | 155026700-SP | Quick connector kit, Spirit | All models - Kit | 1 |
| 202 | 155026800-SP | Fixtures, Spirit | All models - Kit | 1 |
| 203 | 155057700-SP | Pre-filter assembly kit, Spirit-series | All models | 1 |
| 204 | 155057800-SP | Plastic enclosures, kit, Bluewater branded for Spirit | All models, Bluewater branded | 1 |

ACCESSORIES

| Pos | Accessory no. | Description | Reference | Units in box (pcs) |
|-----|---------------|---|--|--------------------|
| 48 | 150748001-SP | Faucet for drinking water, electronic, Spirit (not -Cp) | Ref A, B and E | 5 |
| 49 | 919240945 | Bluewater Pure water faucet | Ref C and D | 1 |
| 49 | 919240946 | Bluewater Pure water faucet with LED | Ref C and D | 1 |
| 49 | 919240947 | Bluewater 3-way faucet | Ref C and D | 1 |
| 50 | 155007501-SP | By-pass kit | Ref C and D | 1 |
| 51 | 150736500-SP | Quick connector tap 7/16" to hose 3/8" | Ref C and D, Suitable to tap with 7/16" thread | 5 |

CONSUMABLES

| Pos | Consumable no. | Description | Reference | Units in box (pcs) |
|-----|----------------|---|-----------------------|--------------------|
| 3 | 919240004 | Carbon filter, granulated, Spirit-Series, single pack | Replaced by 919260004 | 1 |
| 3 | 919260004 | Carbon filter, granulated, Spirit-Series, single pack | All models | 1 |
| 3 | 919240014 | Carbon filter, granulated, Spirit-Series, pack of 20 | Replaced by 919260014 | 20 |
| 3 | 919260014 | Carbon filter, granulated, Spirit-Series, pack of 20 | All models | 20 |
| 3 | 919240024 | Carbon filter, granulated, Spirit-Series, pack of 48 | Replaced by 919260024 | 48 |
| 3 | 919260024 | Carbon filter, granulated, Spirit-Series, pack of 48 | All models | 48 |
| - | 150721701-SP | Grease, for o-rings, 10 grams | All models | 1 |
| - | 150711600-SP | Sealing Tape, roll, 33 m x 50 mm | All models | 5 |
| - | 150720602-SP | Preservative anti-freeze, 1 liter bottle | All models | 1 |
| - | 150720606-SP | Preservative anti-freeze, 1 liter bottle, 6 bottles | All models | 6 |
| - | 150720701-SP | Descaling agent, 200 grams | All models | 1 |
| - | 150720720-SP | Descaling agent, 200 grams, 30 packages | All models | 30 |

KITS

| Pos 200 | 155026600-SP | O-ring and gasket kit, Spirit series | Kit (pcs) |
|---------|---------------------------------------|--|-----------|
| 16 | 150744001-SP | Gasket, pressure regulating valve, Spirit-series | 10 |
| 18 | 150707015-SP | O-ring 32.3x3 | 5 |
| 21 | 160744600-SP (replacing 150744600-SP) | Gasket, pressure vessel, Spirit-series | 20 |
| 22 | 150742800-SP | Sealing, pump side lower, Spirit-series | 5 |
| 29 | 155010101-SP | Gasket, for nut inlet hose 3/4" | 10 |
| 32 | 150745200-SP | Cushion, bottom membrane vessel | 5 |
| 35 | 150707014-SP | O-ring, 100x2 | 5 |
| 42 | 150754600-SP | Plug, rubber, baseplate, Spirit-series | 5 |
| - | 150754000 | Gasket, drain valve inner, Spirit-series | 5 |
| - | 150707008 | O-ring, 15.6x1.78 (drain valve, Spirit) | 5 |
| - | 150707007 | O-ring, 9.1x1.6 (bottom part, pressure vessel, Spirit) | 5 |

| Pos 201 | 155026700-SP | Quick connector kit, Spirit series | Kit (pcs) |
|---------|---------------------------------------|---|-----------|
| 2 | 150717800-SP | Quick connector, equal tee, 3/8" | 5 |
| 28 | 155009000-SP | Quick connector, Female 1/4" to hose 1/4" | 5 |
| 36 | 160753900-SP (replacing 150753900-SP) | Plug, plastic, 3/8" | 5 |

| Pos 202 | 155026800-SP | Fixtures, Spirit series | Kit (pcs) |
|---------|---------------------------------------|--------------------------------------|-----------|
| 7 | 150712200-SP | Snap-in, holder PCB | 10 |
| 12 | 150701903-SP | Retaining ring, motor, Spirit-series | 10 |
| 13 | 150701902-SP | Retaining ring, pump, Spirit-series | 10 |
| 14 | 160744700-SP (replacing 150744700-SP) | Locking ring, Spirit-series | 6 |

ORDER

It is important to assure that you have the correct product number and have identified the correct spare part in the list above. Place your order on orders@bluewatergroup.com.

DISCLAIMER

Bluewater water purification products must be installed and maintained by qualified service professionals. Installing or maintaining Bluewater products without appropriate training may lead to serious property damage, personal injury, or death. We therefore discourage independent installation or repairs. Make sure to always use original spare parts to guarantee the water and product quality. The information and instructions provided by Bluewater are intended for use by Bluewater authorized service technicians and other qualified professionals.

| | | | |
|---|--|--|-------------------------|
|  | Bluewater global website bluewatergroup.com |  | Bluewater China website |
|---|--|--|-------------------------|

This page intentionally left blank

Bluewater is a world leading water purification company. Headquartered in Stockholm, Sweden, the company helps people and businesses globally enjoy the health and wellbeing benefits of cleaner, healthier tap water. Bluewater innovates, makes and sells compact water purifiers that harness the company's patented reverse osmosis technology to remove virtually all pollutants from tap water, including lead, bacteria, pesticides, medical residues, chlorine and lime-scale.

Please visit us at bluewatergroup.com



BLUEWATER

Danderydsgatan 11
SE-114 26 Stockholm
Sweden
E: hello@bluewatergroup.com

bluewatergroup.com

