

**BLUEWATER SPIRIT  
HOW TO USE GUIDE**



**BLUEWATER**

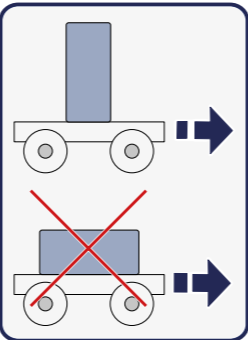


**BLUEWATER SPIRIT  
HOW TO USE GUIDE**



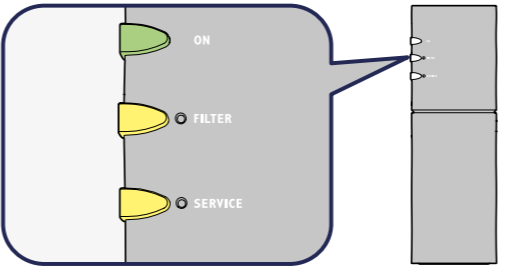
For products with serial number 20220161001 and later.

You'll find everything you need to know regarding how to use your new Bluewater Spirit purifier in this How to use Guide. Or scan the QR code for a user-friendly online version of the guide.



## How to take care of your Bluewater Spirit

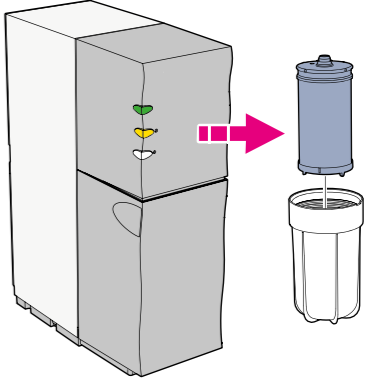
**Check the indicator lights**  
- Regularly



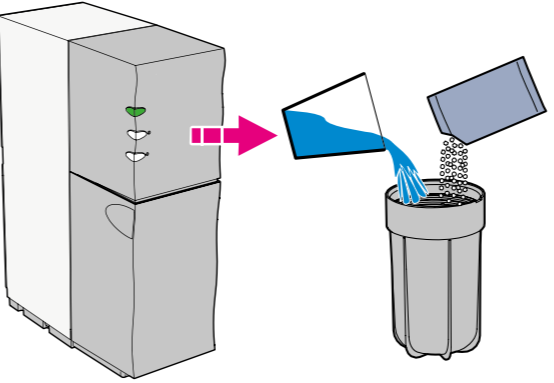
**Check for leaks**  
- Regularly



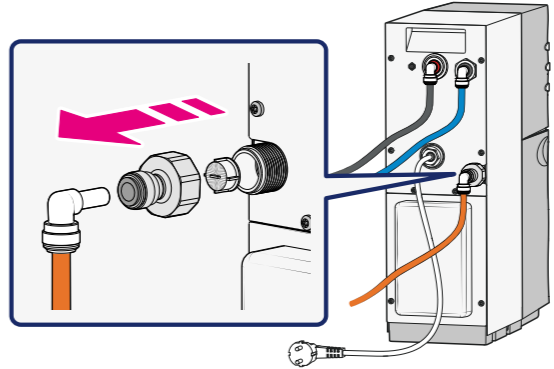
**Change your prefilter**  
- Every 6th month or when the filter indicator is lit



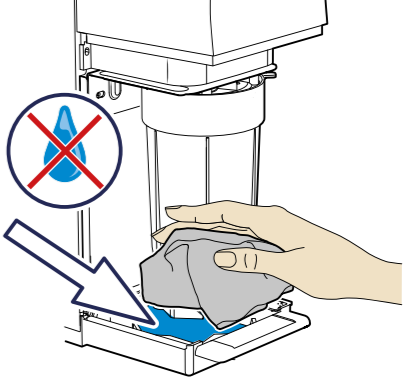
**Descaling**  
- Every 4-6th month



**Clean the grid filter**  
- Once a year

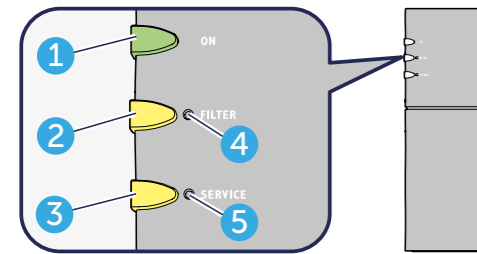


**Wipe off condensation from base plate**  
- When necessary



## Check indicators lights

For troubleshooting see Complete user manual at <https://www.bluewatergroup.com/documents/>

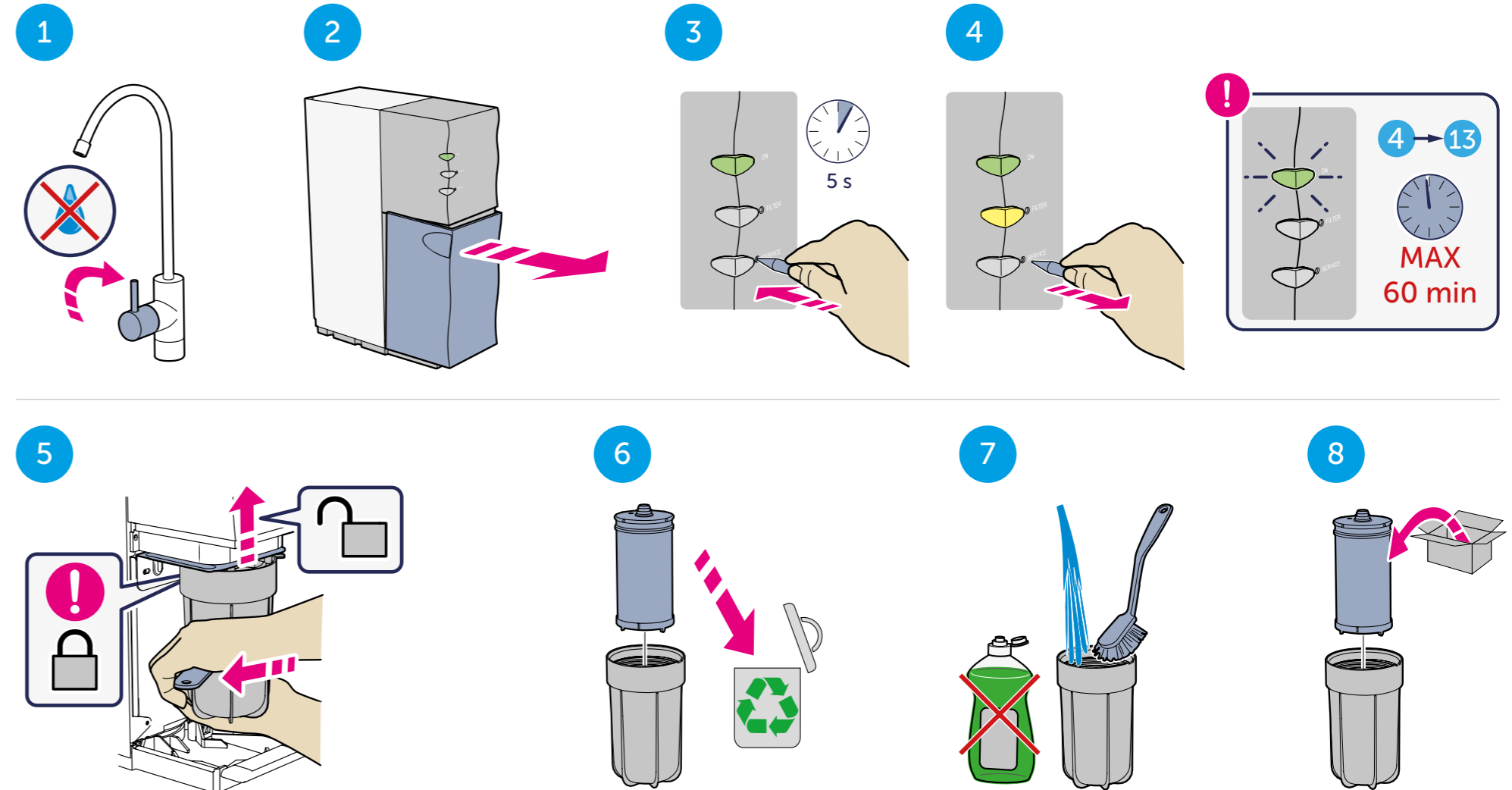
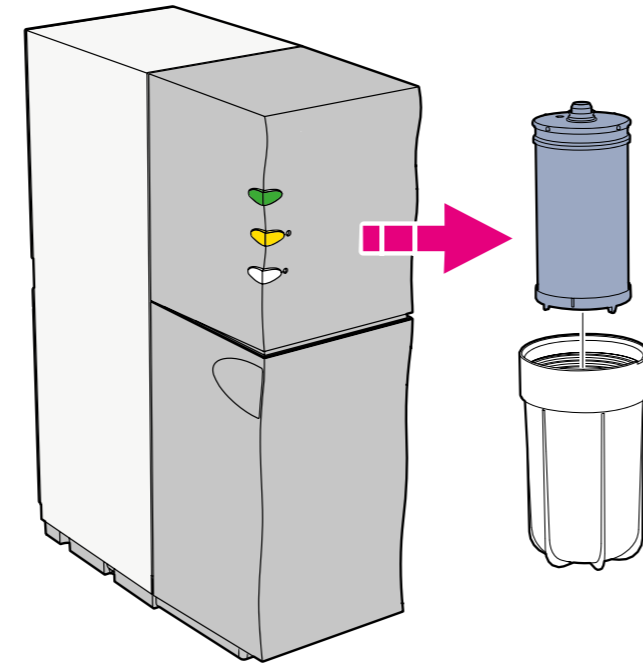


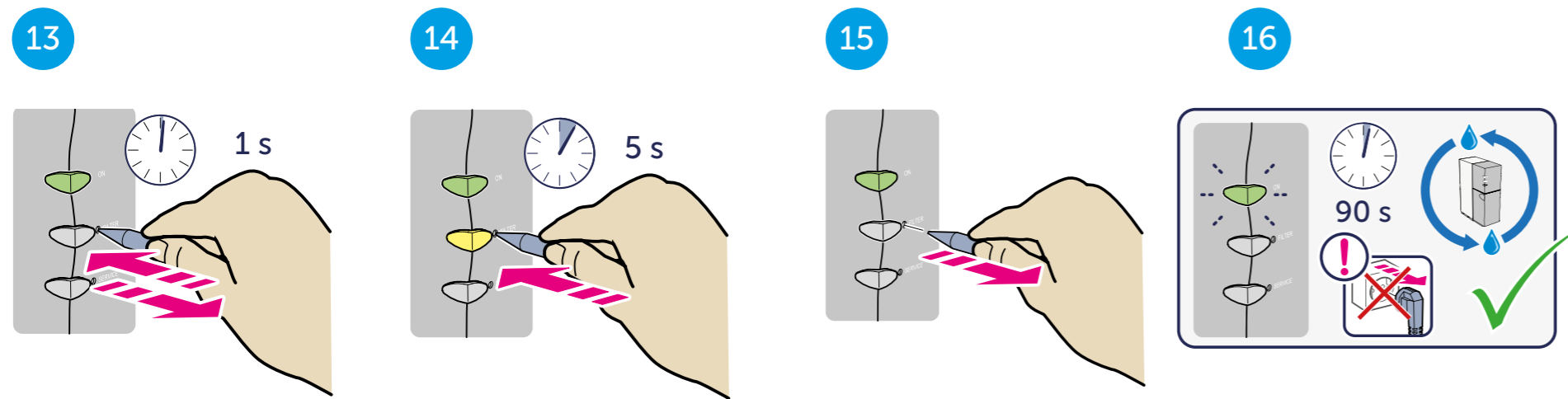
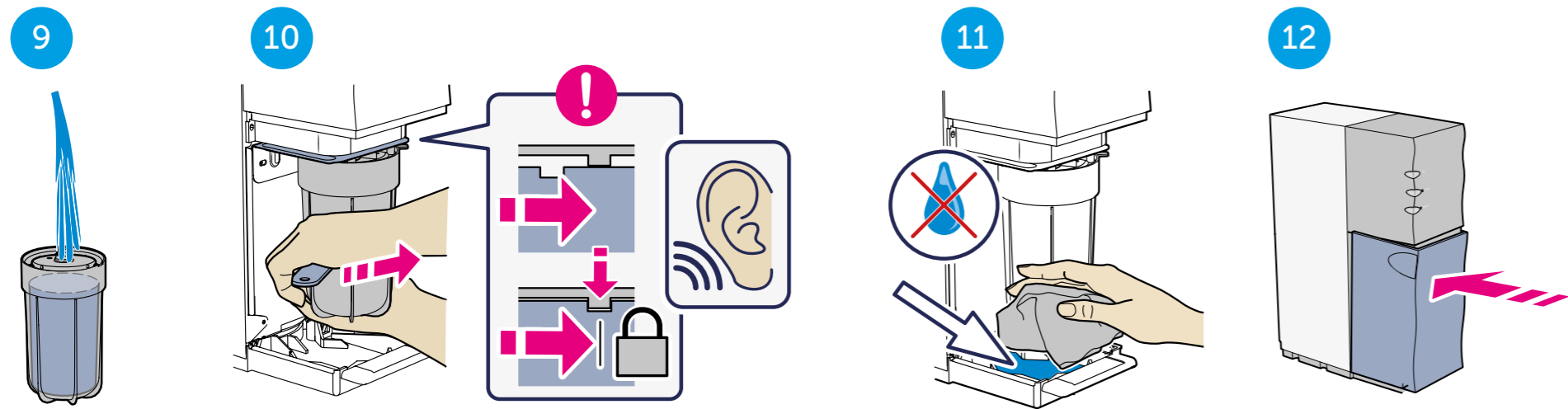
1. ON light
2. FILTER light
3. SERVICE light
4. FILTER button
5. SERVICE button

ON light	FILTER light	SERVICE light	Meaning
On			The water purifier is connected to power.
Flashes			The water purifier is busy flushing the membrane. This may take up to 2,5 min.
On	Flashes		The water purifier still operates, but the filter must be replaced soon.
On	On		The filter replacement time has lapsed, the filter should be replaced.
Flashes quickly	Flashes quickly		The low inlet restart function is active.
On	Flashes quickly		The inlet pressure is too low. Grid filter may need cleaning. Filter may be blocked.
On		Flashes quickly	See Complete User Manual at <a href="http://bluewater.com">bluewater.com</a>
On		Flashes	Water quality is decreased, but the water is still OK to drink.
On		On	Water quality is decreased. This is normal for up to 120 s at the start of water production. Wait for the service light to turn off before drinking the water. The purifier stops when the membrane needs to be replaced. Contact your Bluewater dealer.
Flashes	On	On	There is an external water leakage. Check tubes and faucet.

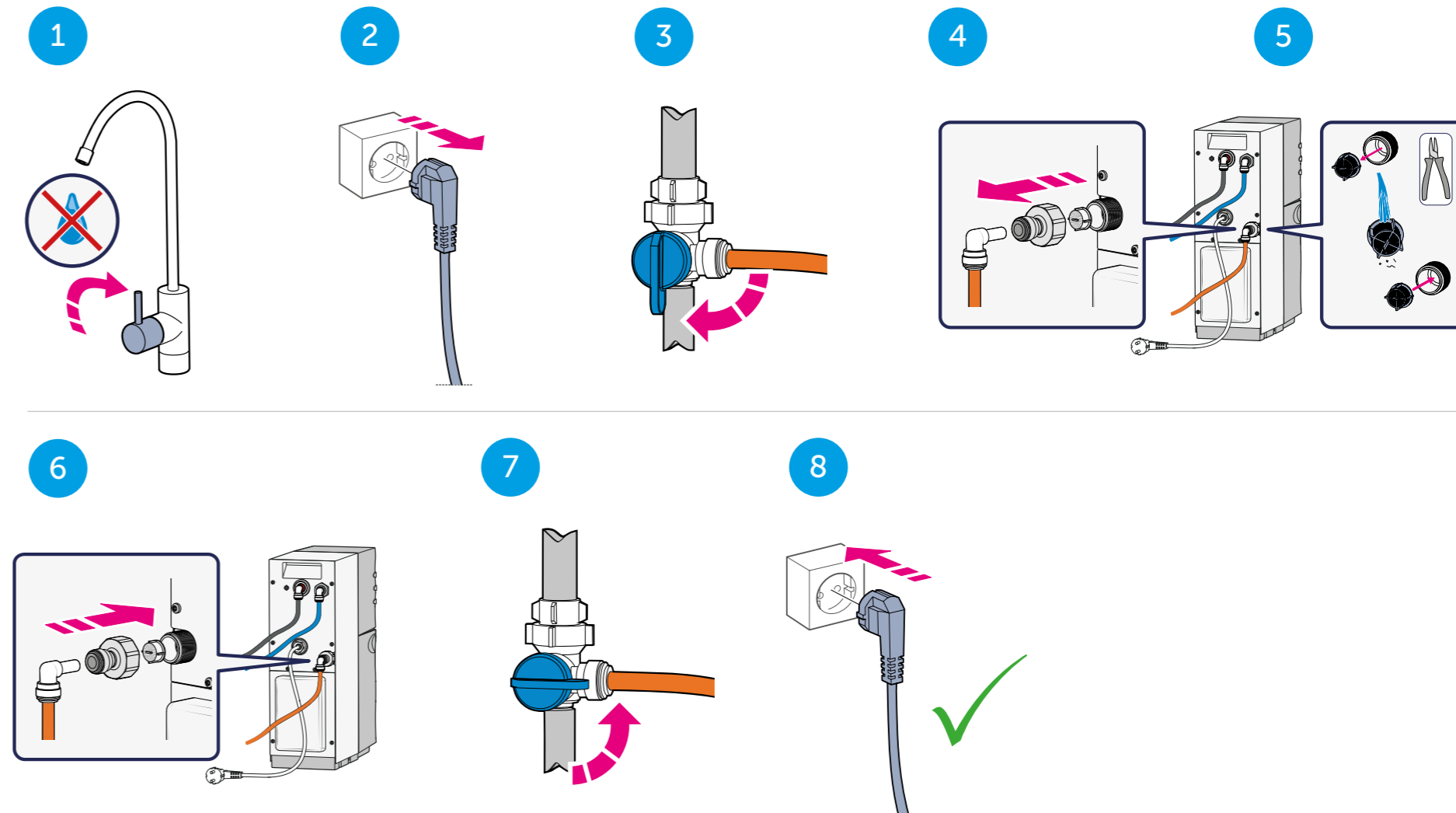
## Change the prefilter

<https://www.bluewatergroup.com/where-to-buy/>

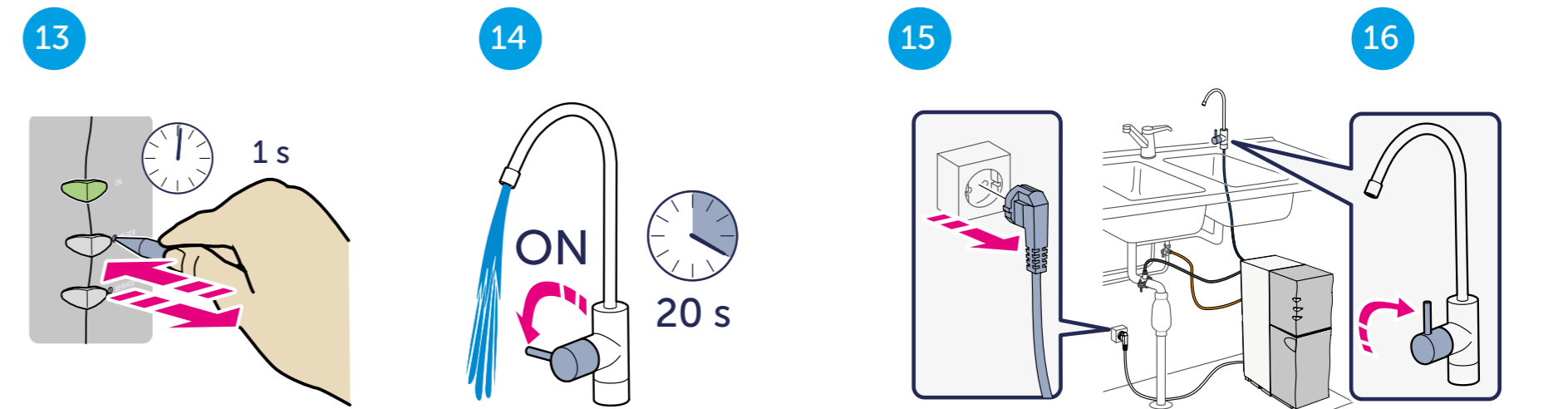
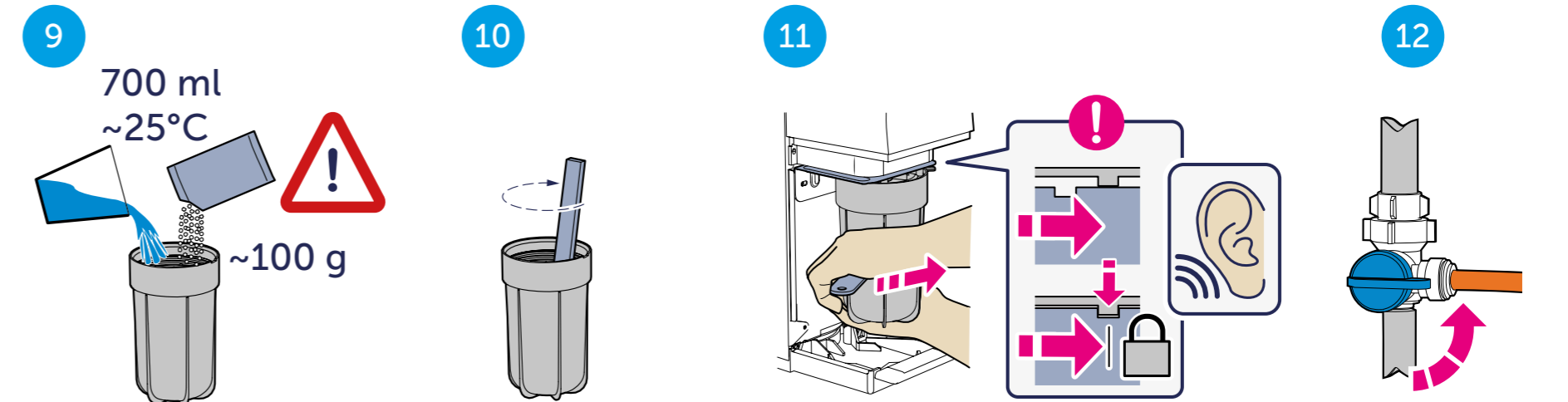
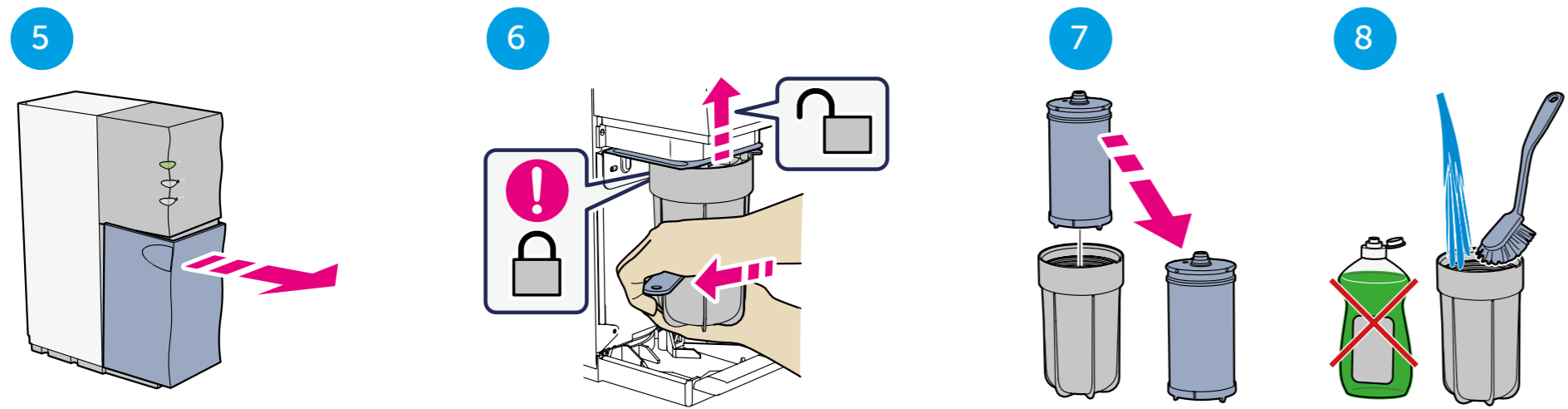
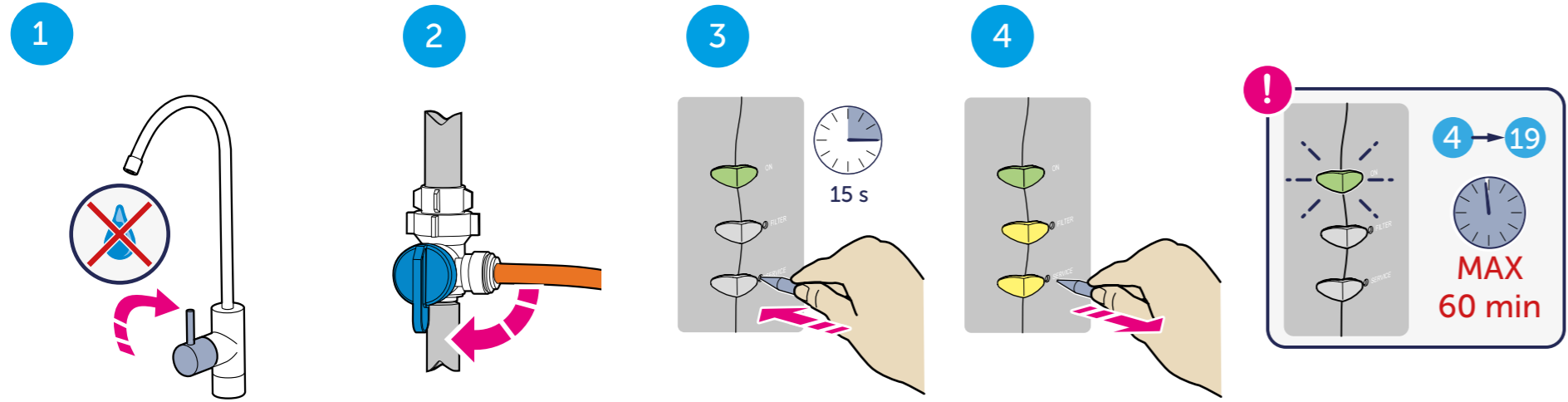




## Clean the grid filter



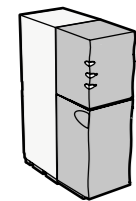
# Descaling



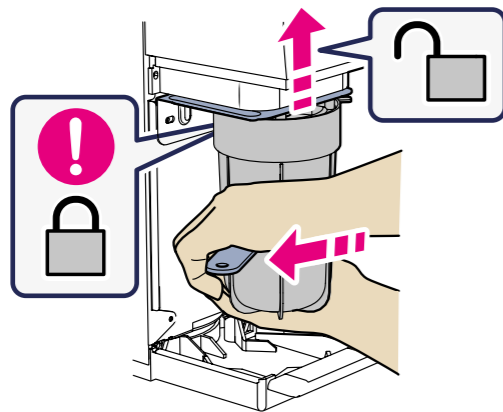
17



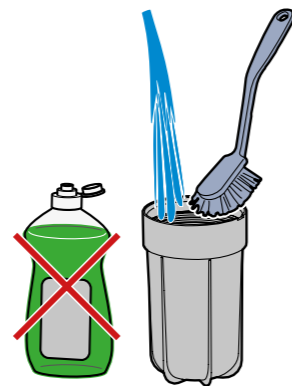
10 h



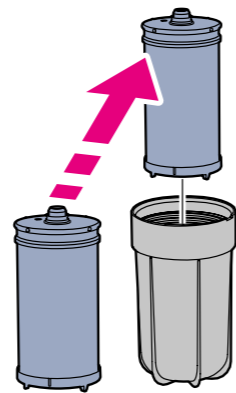
18



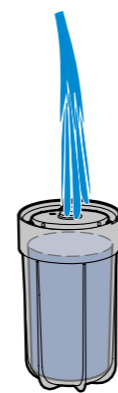
19



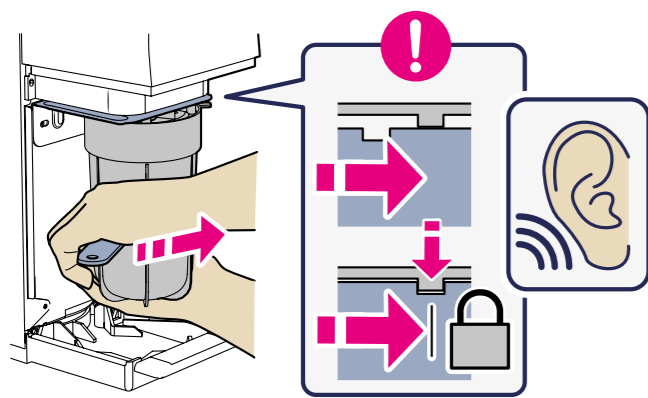
20



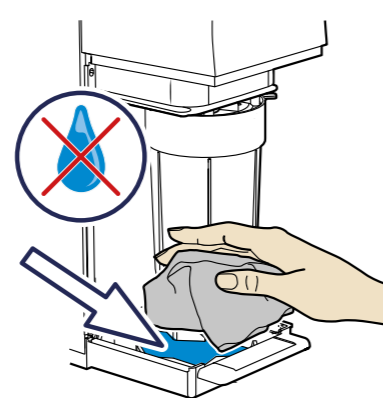
21



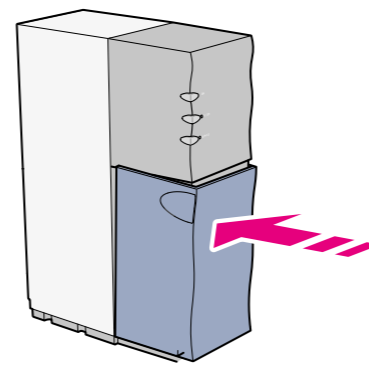
22



23



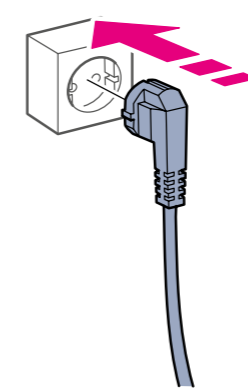
24



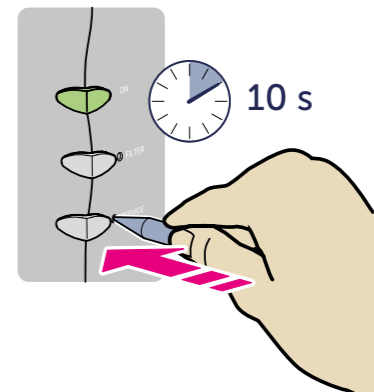
25



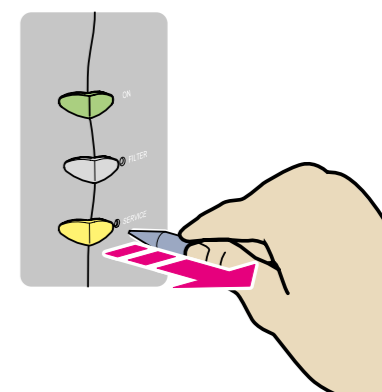
26



27



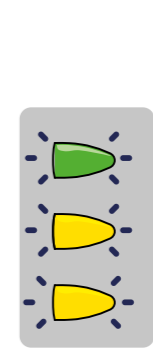
28



29



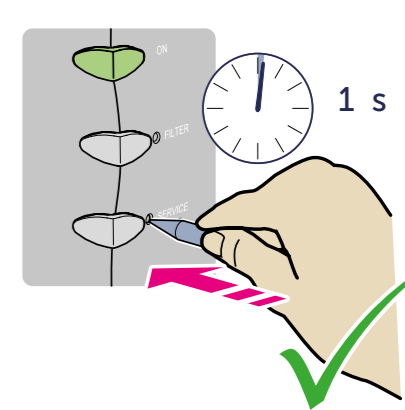
30



31



32



**FOR YOU &  
OUR PLANET**



ENG: The installation must comply with applicable local plumbing codes and regulations.

FR: L'installation doit respecter les normes et réglementations de plomberie locales applicables

ES: La instalación de fontanería debe cumplir con la reglamentación y las normativas locales.

PT: A instalação deve cumprir as normas e os regulamentos de canalização locais aplicáveis.

IT: L'installazione deve rispettare i codici e le regolamentazioni idrauliche locali vigenti.

DE: Die Installation muss die örtlichen Vorschriften und Richtlinien für Wasser bzw. Sanitäranlagen erfüllen.

PL: Muszą być spełnione obowiązujące przepisy i regulacje dotyczące instalacji wodociągowej.

RU: Установка должна соответствовать действующим местным санитарным нормам и правилам.

SE: Installationen måste uppfylla gällande VVS-regler och -förfordningar.

FI: Asennus on tehtävä sovellettavien paikallisten LVI-sääntöjen ja -määräysten mukaisesti.

NO: Installasjonen må utføres i henhold til gjeldende praksis og bestemmelser for rørleggerarbeid.

DK: Installationen skal overholde de gældende lokale regler og forskrifter for VVS-installationer.

ZH: 必须按照适用的当地管道标准和法规进行安装。

AR: اہب ل رومع المة ل حل ح المة لكاب س ل ا ر ي ي ا ع م و ن ي ن ا و ق م ع م ب ي ل ر ت ل ق ف ا و ت ي ن ا ب ج ي ي ب ر ع



BLUEWATER IS A SWEDISH WATER  
COMPANY THAT PURIFIES LOCAL  
SOURCES OF WATER INTO PURER,  
FRESH DRINKING WATER.  
WE'RE COMMITTED TO REDUCING  
PLASTICS IN OUR OCEANS BY  
ELIMINATING THE NEED FOR  
SINGLE-USE PACKAGING. JOIN US.

[BLUEWATERGROUP.COM](http://BLUEWATERGROUP.COM)

BLUEWATER  
Danderydsgatan 11  
114 26 Stockholm  
Sweden

[info@bluewatergroup.com](mailto:info@bluewatergroup.com)



BLUEWATER